

DO NOT SCALE FROM THIS PRINT

HDTM-4-XX-X-X-VT-X-X

PAIRS PER COLUMN

-4

No. OF COLUMNS

-04
-06
-08

COMPLIANT TAIL SIZE

-1: 0.0177" DRILL
-2: 0.0217" DRILL

PLATING

-S: 30µ" SELECTIVE GOLD IN CONTACT AREA, MATTE TIN ON TAIL

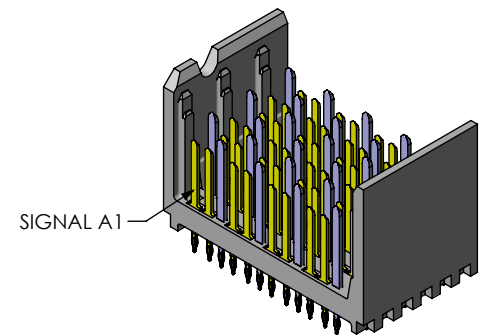
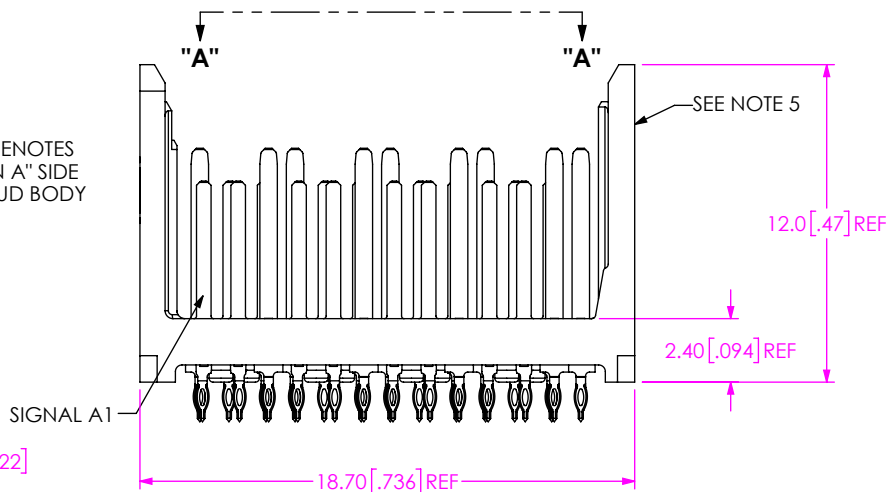
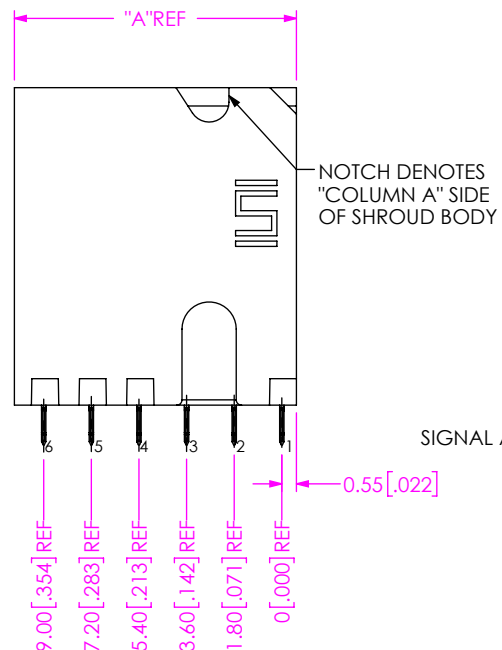
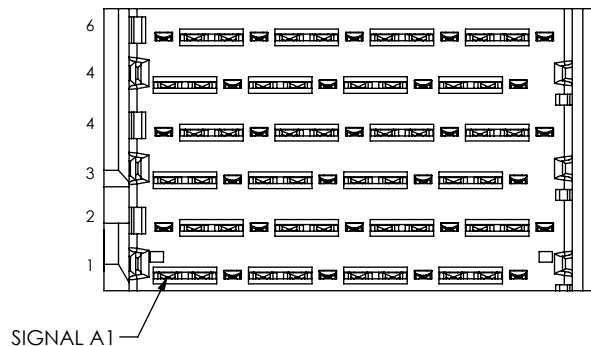
ORIENTATION
-VT: VERTICAL

SIDE WALL OPTIONS

-0: OPEN (NO WALLS)
-1: LEFT SIDE WALL (SEE FIG 2, SHT 4)
-2: RIGHT SIDEWALL (SEE FIG 3, SHT 4)

STAGE COMBINATIONS

-1: 3mm WIPE SIGNAL / 4mm WIPE GROUND
-2: 2mm WIPE SIGNAL / 4mm WIPE GROUND
-3: 3mm WIPE SIGNAL / 3mm WIPE GROUND
-4: 2mm WIPE SIGNAL / 3mm WIPE GROUND
-5: 2mm WIPE SIGNAL / 2mm WIPE GROUND



OPEN (NO WALLS) SHOWN

COLUMNS	"A"
-04	7.1 [0.28]
-06	10.7 [0.42]
-08	14.3 [0.56]

FIG 1
OPEN (NO WALL) OPTION
(HDTM-4-06-1-X-VT-0-X SHOWN)

NOTES:

1. MINIMUM PUSHOUT FORCE: 2.22N.
2. NOTE DELETED.
3. CONTACT SAMTEC FOR CONNECTOR PRESS FIT INSTRUCTIONS AND REQUIRED FIXTURES.
4. TRAYS TO BE STANDARD PACKAGING.
5. MARK SAMTEC P/N AND DATE CODE ON THIS SURFACE.

UNLESS OTHERWISE SPECIFIED, DIMENSIONS ARE IN MILLIMETERS
TOLERANCES ARE:
DECIMALS ANGLES
X.X: ±0.3 2°
X.XX: ±0.13
X.XXX: ±0.051

PROPRIETARY NOTE
THIS DOCUMENT CONTAINS CONFIDENTIAL AND PROPRIETARY INFORMATION AND ALL DESIGN, MANUFACTURING, REPRODUCTION, USE, PATENT RIGHTS AND SALES RIGHTS ARE EXPRESSLY RESERVED BY SAMTEC, INC. THIS DOCUMENT SHALL NOT BE DISCLOSED, IN WHOLE OR PART, TO ANY UNAUTHORIZED PERSON OR ENTITY NOR REPRODUCED, TRANSFERRED OR INCORPORATED IN ANY OTHER PROJECT IN ANY MANNER WITHOUT THE EXPRESS WRITTEN CONSENT OF SAMTEC, INC.

DO NOT SCALE DRAWING
SHEET SCALE: 2:1
MATERIAL:
INSULATOR: LCP
CONTACT: CU ALLOY



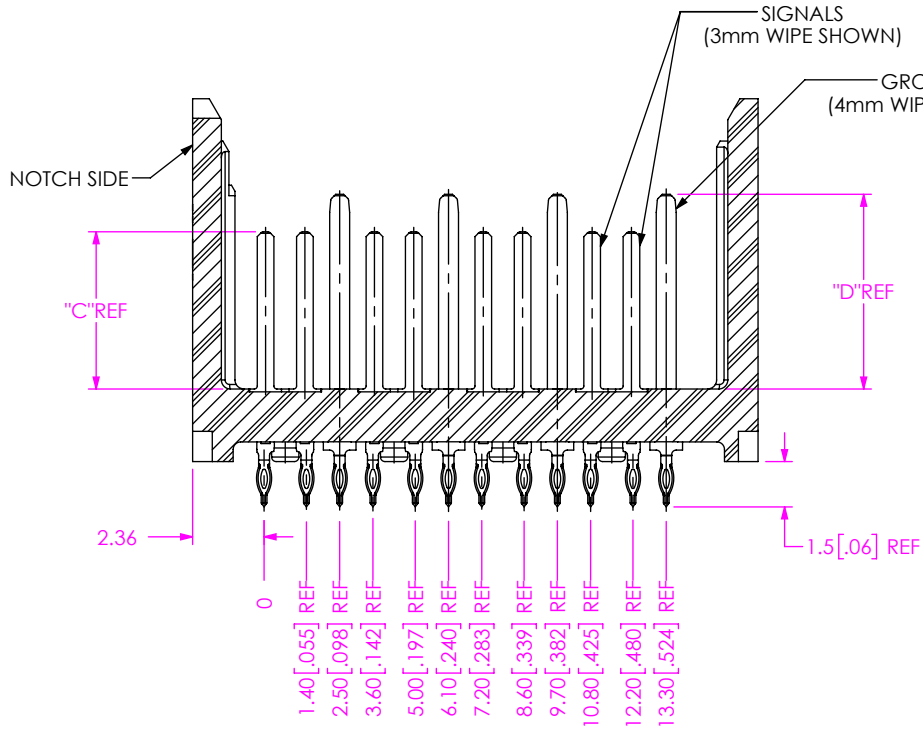
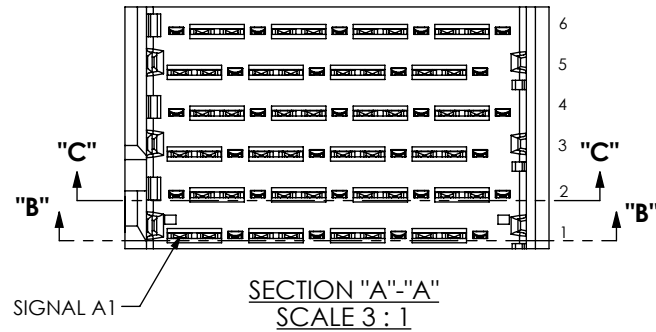
520 PARK EAST BLVD, NEW ALBANY, IN 47150
PHONE: 812-944-6733 FAX: 812-948-5047
e-Mail info@SAMTEC.com code 55322

DESCRIPTION:
XCede® HDTM VERTICAL BACKPLANE ASSEMBLY

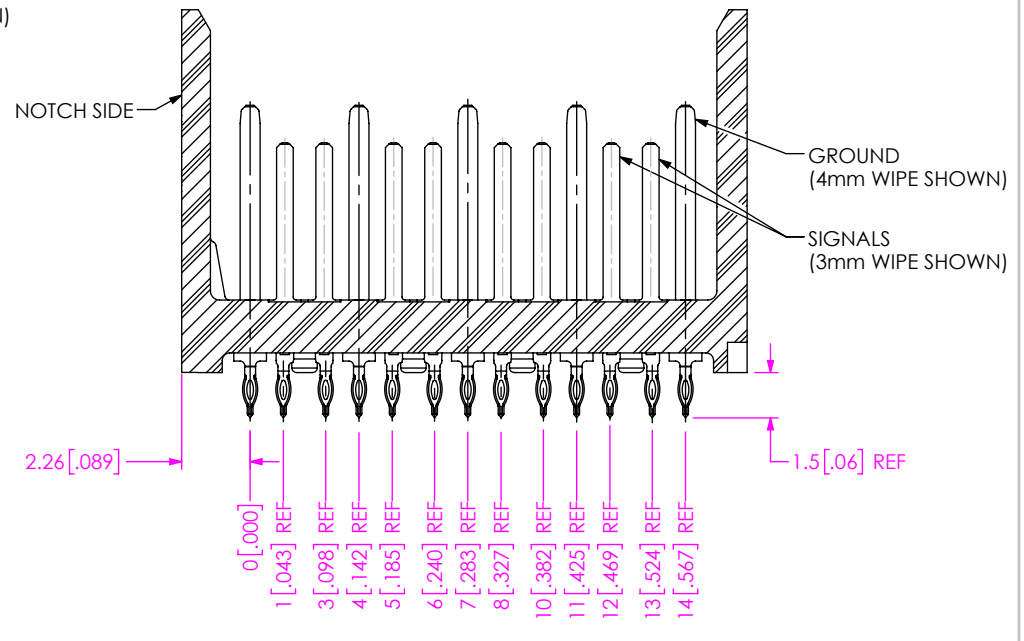
DWG. NO.
HDTM-4-XX-X-X-VT-X-X

BY: KNOWLDEN 9/13/2016 SHEET 1 OF 4

TABLE 2		
STAGE COMBINATIONS	"C"	"D"
-1: (3MM SIG / 4MM GND)	5.2 [0.20]	6.4 [0.25]
-2: (2MM SIG / 4MM GND)	4.2 [0.17]	6.4 [0.25]
-3: (3MM SIG / 3MM GND)	5.2 [0.20]	5.4 [0.21]
-4: (2MM SIG / 3MM GND)	4.2 [0.17]	5.4 [0.21]
-5: (2MM SIG / 2MM GND)	4.2 [0.17]	4.4 [0.17]



SECTION "B"-"B"
SCALE 4 : 1
(ROW 1)



SECTION "C"-"C"
SCALE 4 : 1
(ROW 2)

PROPRIETARY NOTE
THIS DOCUMENT CONTAINS CONFIDENTIAL AND PROPRIETARY INFORMATION AND ALL DESIGN, MANUFACTURING, REPRODUCTION, USE, PATENT RIGHTS AND SALES RIGHTS ARE EXPRESSLY RESERVED BY SAMTEC, INC. THIS DOCUMENT SHALL NOT BE DISCLOSED, IN WHOLE OR PART, TO ANY UNAUTHORIZED PERSON OR ENTITY NOR REPRODUCED, TRANSFERRED OR INCORPORATED IN ANY OTHER PROJECT IN ANY MANNER WITHOUT THE EXPRESS WRITTEN CONSENT OF SAMTEC, INC.



520 PARK EAST BLVD, NEW ALBANY, IN 47150
PHONE: 812-944-6733 FAX: 812-948-5047
e-Mail info@SAMTEC.com code 55322

DO NOT SCALE DRAWING

SHEET SCALE: 2:1

DESCRIPTION:
XCede® HDTM VERTICAL BACKPLANE ASSEMBLY

DWG. NO.
HDTM-4-XX-X-X-VT-X-X

BY: KNOWLDEN 9/13/2016 SHEET 2 OF 4

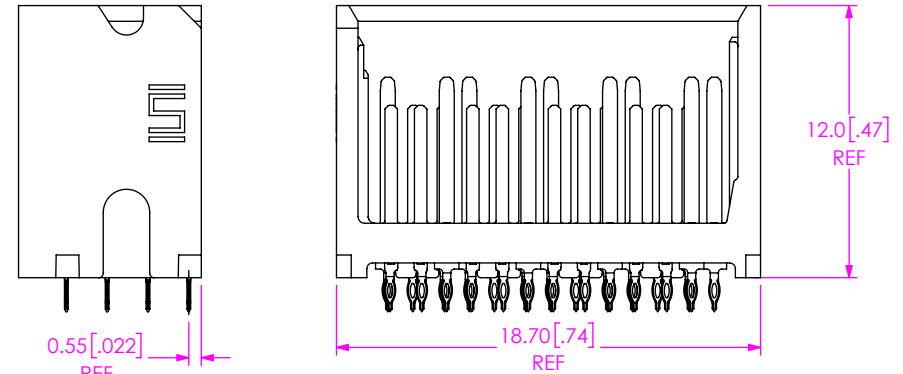
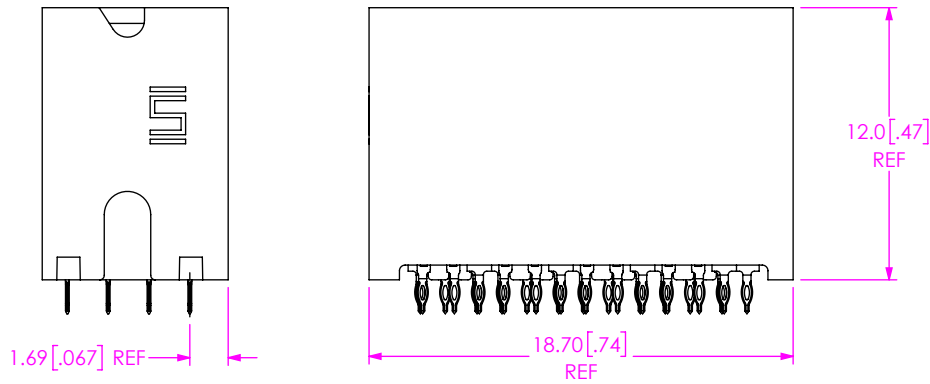
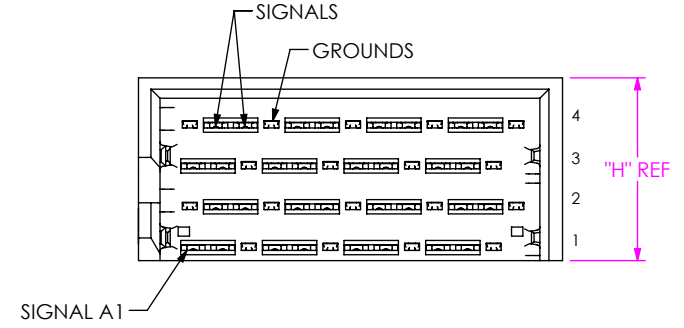
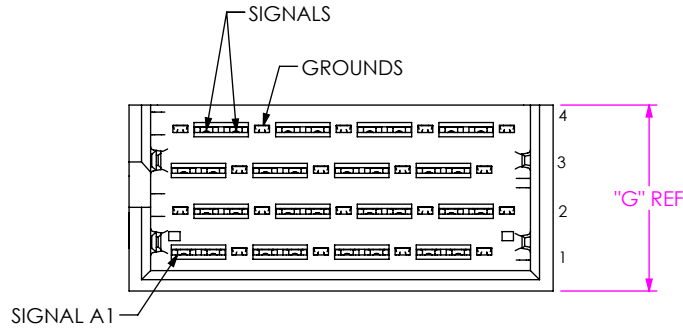
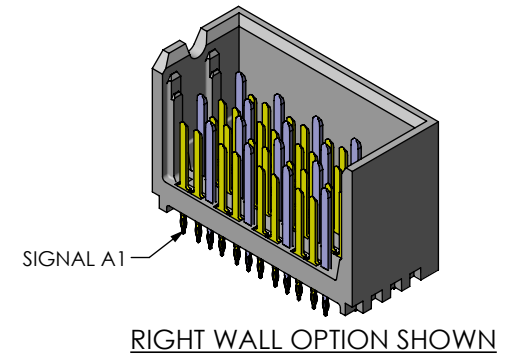
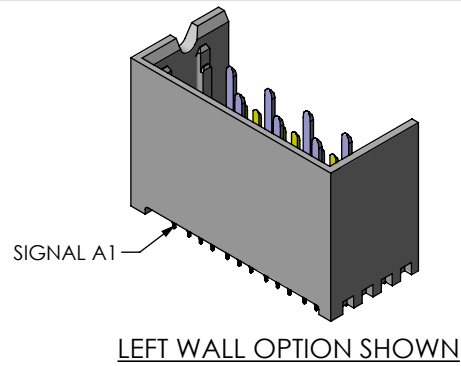


FIG 2
LEFT WALL OPTION
(HDTM-4-XX-1-X-VT-1-X SHOWN)
(SAME AS FIG 1, EXCEPT AS SHOWN)

FIG 3
RIGHT WALL OPTION
(HDTM-4-XX-1-X-VT-2-X SHOWN)
(SAME AS FIG 1, EXCEPT AS SHOWN)

TABLE 4		
COLUMNS	"G"	"H"
-04	8.2 [0.32]	8.1 [0.32]
-06	11.8 [0.46]	11.7 [0.46]
-08	15.4 [0.61]	15.3 [0.60]

PROPRIETARY NOTE
THIS DOCUMENT CONTAINS CONFIDENTIAL AND PROPRIETARY INFORMATION AND ALL DESIGN, MANUFACTURING, REPRODUCTION, USE, PATENT RIGHTS AND SALES RIGHTS ARE EXPRESSLY RESERVED BY SAMTEC, INC. THIS DOCUMENT SHALL NOT BE DISCLOSED, IN WHOLE OR PART, TO ANY UNAUTHORIZED PERSON OR ENTITY NOR REPRODUCED, TRANSFERRED OR INCORPORATED IN ANY OTHER PROJECT IN ANY MANNER WITHOUT THE EXPRESS WRITTEN CONSENT OF SAMTEC, INC.



520 PARK EAST BLVD, NEW ALBANY, IN 47150
PHONE: 812-944-6733 FAX: 812-948-5047
e-Mail info@SAMTEC.com code 55322

DO NOT SCALE DRAWING

SHEET SCALE: 5:1

DESCRIPTION:
XCede® HDTM VERTICAL BACKPLANE ASSEMBLY

DWG. NO.
HDTM-4-XX-X-X-VT-X-X

BY: KNOWLDEN 9/13/2016 SHEET 3 OF 4

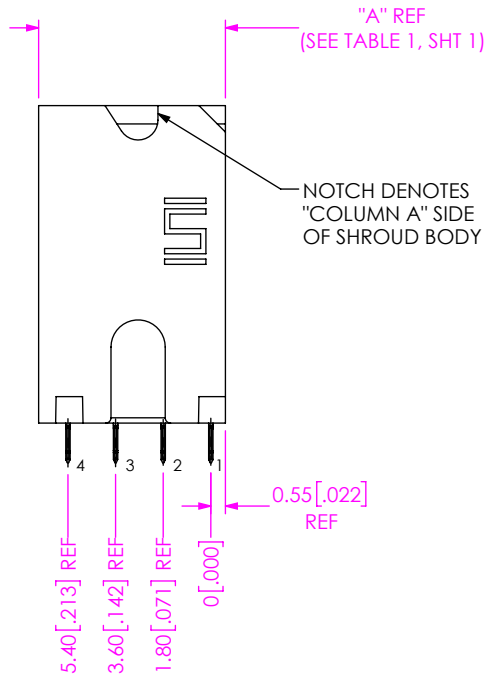


FIG 7
OPEN-NO WALL OPTION
(HDTM-4-04-X-X-VT-0-X SHOWN)
(SAME AS FIG 1, EXCEPT AS SHOWN)

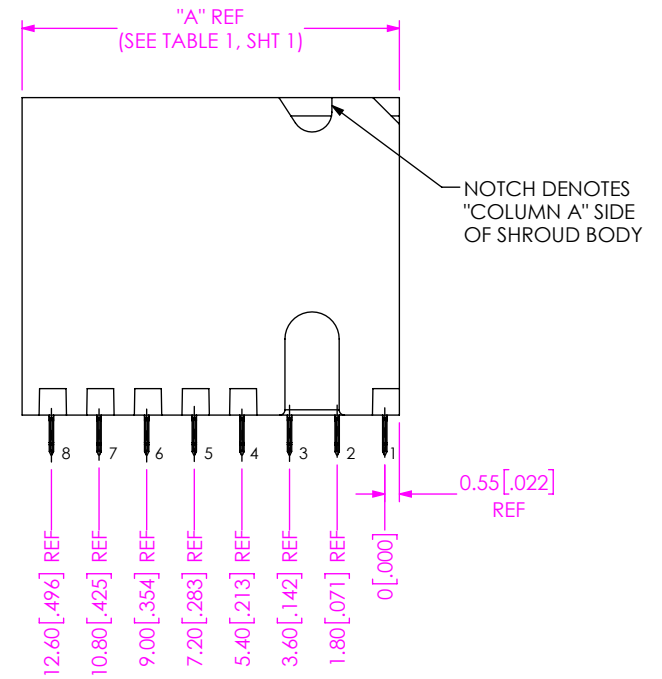



FIG 8
OPEN-NO WALL OPTION
(HDTM-4-08-X-X-VT-0-X SHOWN)
(SAME AS FIG 1, EXCEPT AS SHOWN)

<p>PROPRIETARY NOTE</p> <p>THIS DOCUMENT CONTAINS CONFIDENTIAL AND PROPRIETARY INFORMATION AND ALL DESIGN, MANUFACTURING, REPRODUCTION, USE, PATENT RIGHTS AND SALES RIGHTS ARE EXPRESSLY RESERVED BY SAMTEC, INC. THIS DOCUMENT SHALL NOT BE DISCLOSED, IN WHOLE OR PART, TO ANY UNAUTHORIZED PERSON OR ENTITY NOR REPRODUCED, TRANSFERRED OR INCORPORATED IN ANY OTHER PROJECT IN ANY MANNER WITHOUT THE EXPRESS WRITTEN CONSENT OF SAMTEC, INC.</p>	 <p>520 PARK EAST BLVD, NEW ALBANY, IN 47150 PHONE: 812-944-6733 FAX: 812-948-5047 e-Mail info@SAMTEC.com code 55322</p>
<p>DO NOT SCALE DRAWING</p> <p>SHEET SCALE: 2:1</p>	<p>DESCRIPTION: XCede® HDTM VERTICAL BACKPLANE ASSEMBLY</p> <p>DWG. NO. HDTM-4-XX-X-X-VT-X-X</p> <p>BY: KNOWLDEN 9/13/2016 SHEET 4 OF 4</p>