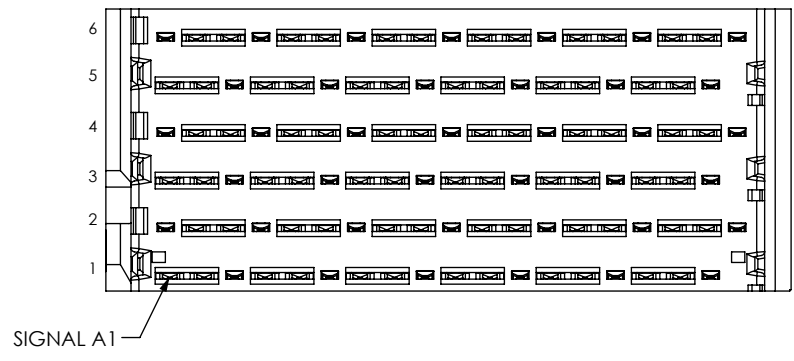


DO NOT
SCALE FROM
THIS PRINT



- PAIRS PER COLUMN
-6
- No. OF COLUMNS
-04
-06
-08
- COMPLIANT TAIL SIZE
-1: .0177" DRILL
-2: .0217" DRILL
- PLATING
-S: 30µ" SELECTIVE GOLD IN CONTACT AREA, MATTE TIN ON TAIL
- ORIENTATION
-VT: VERTICAL
- SIDE WALL OPTIONS
-0: OPEN (NO WALLS)
-1: LEFT SIDE WALL (SEE FIG 2, SHT 3)
*-2: RIGHT SIDEWALL (SEE FIG 3, SHT 3)
-4: LEFT POLARIZING (SEE FIG 4, SHT 4)
-5: RIGHT POLARIZING (SEE FIG 5, SHT 5)

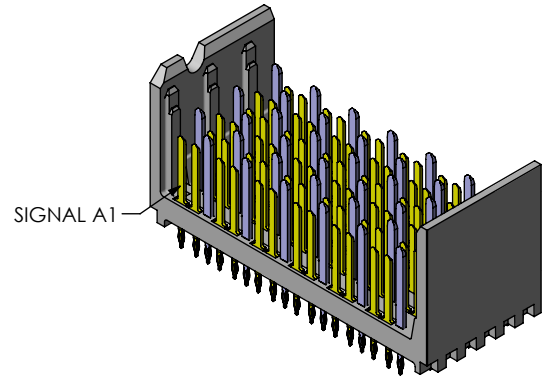
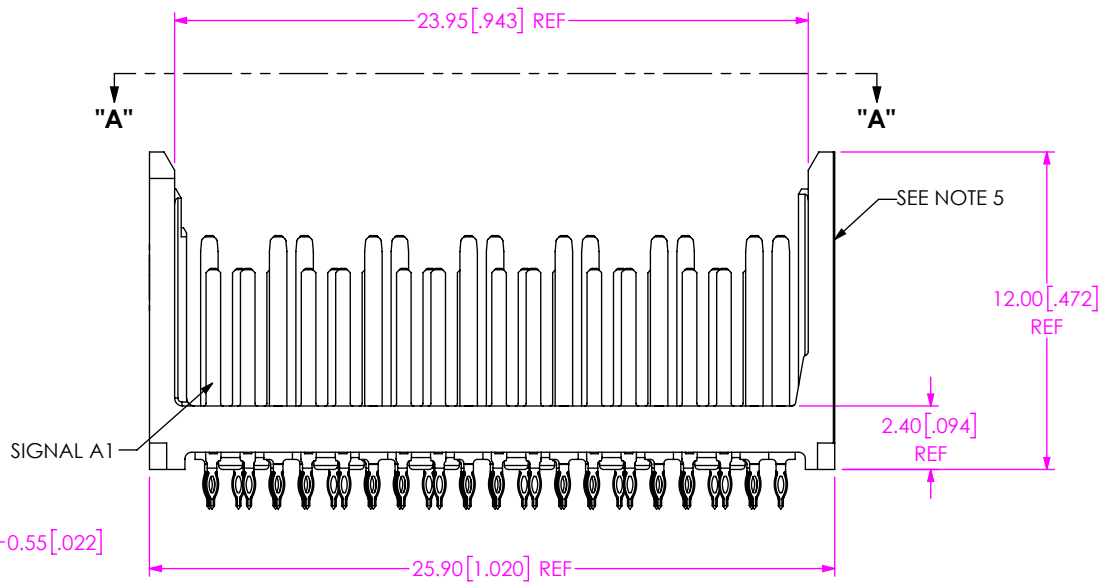
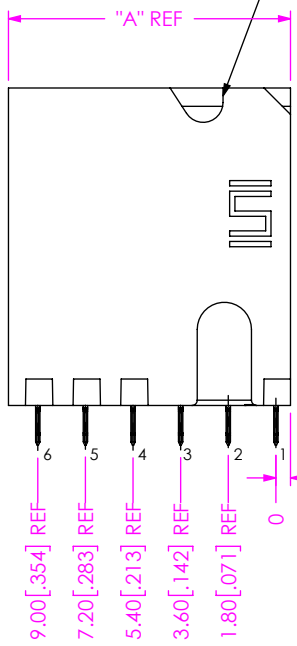
KEYING (ONLY AVAILABLE WITH -4 OR -5 POLARIZING)
-BLANK: NO KEYING
-A THRU -H: DENOTES POSITION OF FLAT ON KEY (SEE TABLE 7, SHT 5)

STAGE COMBINATIONS
-1: 3mm WIPE SIGNAL / 4mm WIPE GROUND
-2: 2mm WIPE SIGNAL / 4mm WIPE GROUND
-3: 3mm WIPE SIGNAL / 3mm WIPE GROUND
-4: 2mm WIPE SIGNAL / 3mm WIPE GROUND
-5: 2mm WIPE SIGNAL / 2mm WIPE GROUND

GUIDANCE (ONLY AVAILABLE WITH -4 OR -5 POLARIZING)
-BLANK: NONE
-L: LEFT SIDE GUIDE PIN (SEE FIG 4, SHT 4)
-R: RIGHT SIDE GUIDE PIN (SEE FIG 5, SHT 5)

(* = NOT TOOLED)

NOTCH DENOTES
"COLUMN A" SIDE
OF SHROUD BODY



OPEN (NO WALLS) SHOWN

FIG 1
OPEN (NO WALL) OPTION
(HDTM-6-06-X-X-VT-0-X SHOWN)

TABLE 1	
COLUMNS	"A"
-04	7.06 [0.278]
-06	10.66 [0.420]
-08	14.26 [0.561]

NOTES:

1. MINIMUM PUSHOUT FORCE: 2.22N.
2. #2-56 SCREW W/ SQUARE CONICAL WASHER MUST BE INSTALLED FOR GROUNDED POLARIZING PIN. FOR NON-GROUNDED POLARIZING PINS, SCREW & WASHER MAY BE INSTALLED FOR ADDITIONAL STRENGTH. SCREW LENGTH TO BE A MAXIMUM OF 8.00mm ABOVE PCB SURFACE.
3. CONTACT SAMTEC FOR CONNECTOR PRESS FIT INSTRUCTIONS AND REQUIRED FIXTURES.
4. TRAYS TO BE STANDARD PACKAGING.
5. MARK SAMTEC P/N AND DATE CODE ON THIS SURFACE.

UNLESS OTHERWISE SPECIFIED, DIMENSIONS ARE IN MILLIMETERS.
TOLERANCES ARE:
DECIMALS ANGLES
.X: ±0.3[.01] 2°
.XX: ±0.13[.005]
.XXX: ±0.051[.0020]

PROPRIETARY NOTE
THIS DOCUMENT CONTAINS CONFIDENTIAL AND PROPRIETARY INFORMATION AND ALL DESIGN, MANUFACTURING, REPRODUCTION, USE, PATENT RIGHTS AND SALES RIGHTS ARE EXPRESSLY RESERVED BY SAMTEC, INC. THIS DOCUMENT SHALL NOT BE DISCLOSED, IN WHOLE OR PART, TO ANY UNAUTHORIZED PERSON OR ENTITY NOR REPRODUCED, TRANSFERRED OR INCORPORATED IN ANY OTHER PROJECT IN ANY MANNER WITHOUT THE EXPRESS WRITTEN CONSENT OF SAMTEC, INC.

MATERIAL: DO NOT SCALE DRAWING SHEET SCALE: 2:1
INSULATOR: LCP
TERMINAL: PHOS BRONZE

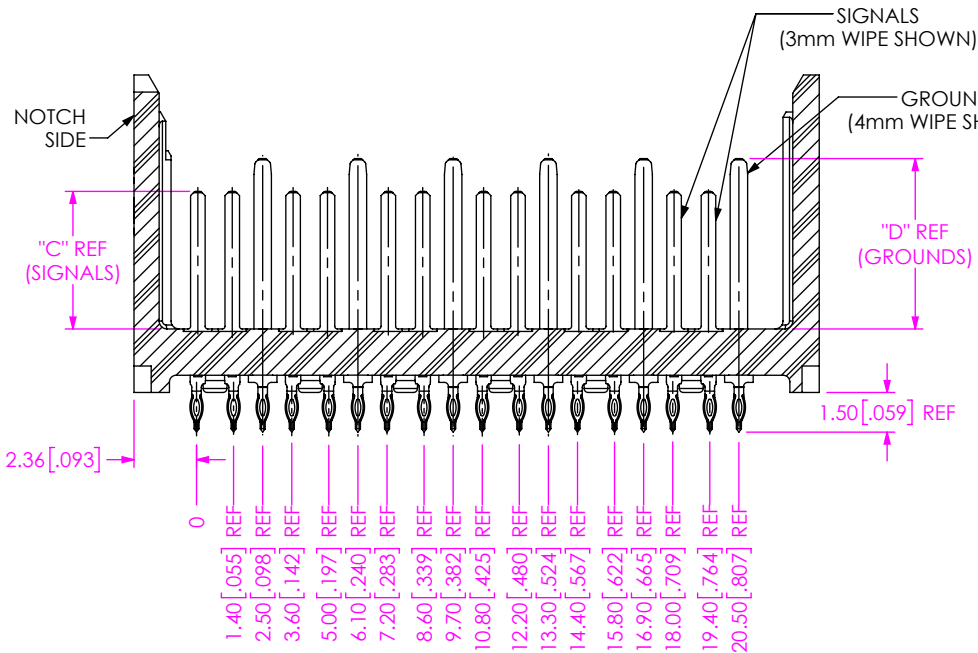
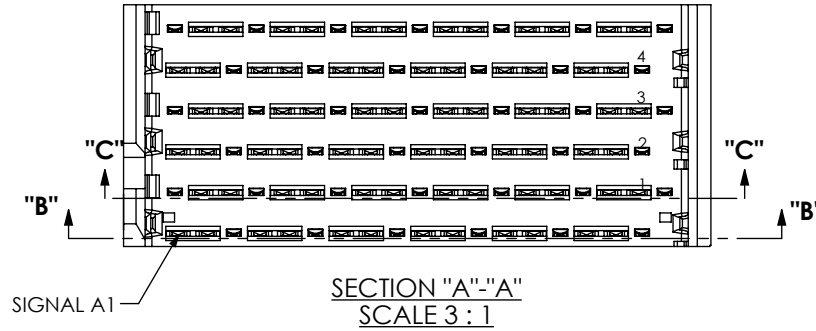


520 PARK EAST BLVD, NEW ALBANY, IN 47150
PHONE: 812-944-6733 FAX: 812-948-5047
e-Mail: info@SAMTEC.com code 53322

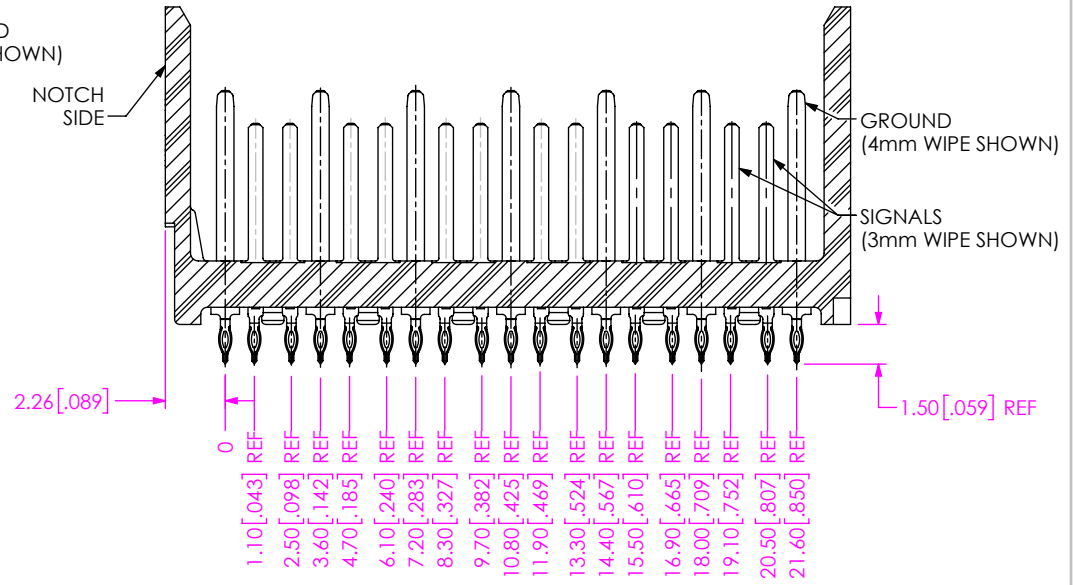
DESCRIPTION:
XCede® 6 PAIR HD VERTICAL ASSEMBLY
DWG. NO.
HDTM-6-XX-X-X-VT-X-X-X-X
BY:KNOWL DEN 01/11/2017 SHEET 1 OF 6

TABLE 2

STAGE COMBINATIONS	"C"	"D"
-1: (3MM SIG / 4MM GND)	5.20 [0.205]	6.40 [0.252]
-2: (2MM SIG / 4MM GND)	4.20 [0.165]	6.40 [0.252]
-3: (3MM SIG / 3MM GND)	5.20 [0.205]	5.40 [0.213]
-4: (2MM SIG / 3MM GND)	4.20 [0.165]	5.40 [0.213]
-5: (2MM SIG / 2MM GND)	4.20 [0.165]	4.40 [0.173]



SECTION "B"-"B"
SCALE 3.5 : 1
(ROW 1)



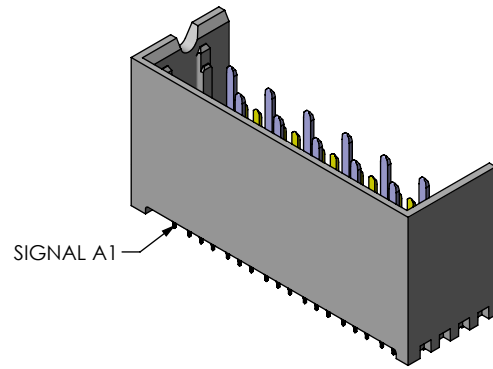
SECTION "C"-"C"
SCALE 3.5 : 1
(ROW 2)

PROPRIETARY NOTE
THIS DOCUMENT CONTAINS CONFIDENTIAL AND PROPRIETARY INFORMATION AND ALL DESIGN, MANUFACTURING, REPRODUCTION, USE, PATENT RIGHTS AND SALES RIGHTS ARE EXPRESSLY RESERVED BY SAMTEC, INC. THIS DOCUMENT SHALL NOT BE DISCLOSED, IN WHOLE OR PART, TO ANY UNAUTHORIZED PERSON OR ENTITY NOR REPRODUCED, TRANSFERRED OR INCORPORATED IN ANY OTHER PROJECT IN ANY MANNER WITHOUT THE EXPRESS WRITTEN CONSENT OF SAMTEC, INC.

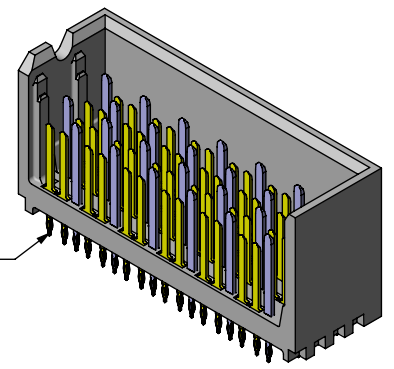
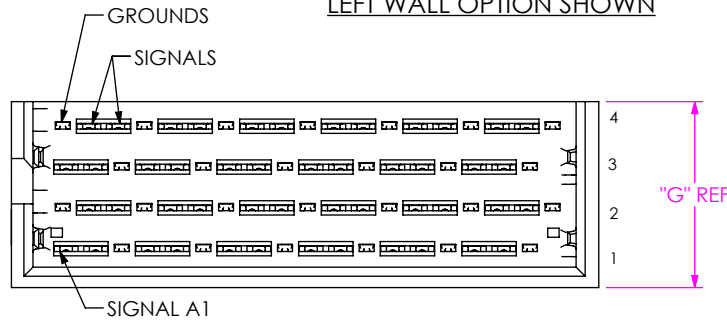
samtec
520 PARK EAST BLVD, NEW ALBANY, IN 47150
PHONE: 812-944-6733 FAX: 812-948-5047
e-Mail info@SAMTEC.com code 55322

DO NOT SCALE DRAWING
SHEET SCALE: 2:1

DESCRIPTION:
XCede® 6 PAIR HD VERTICAL ASSEMBLY
DWG. NO.
HDTM-6-XX-X-X-VT-X-X-X-X
BY:KNOWL DEN 01/11/2017 SHEET 2 OF 6



LEFT WALL OPTION SHOWN



RIGHT WALL OPTION SHOWN

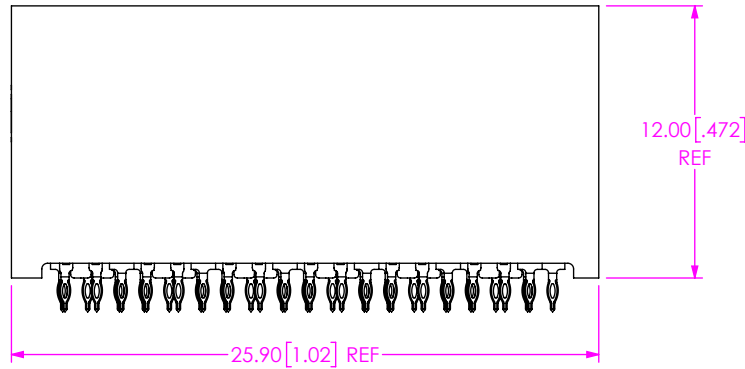
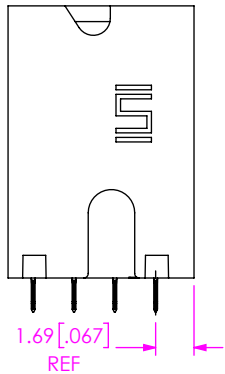
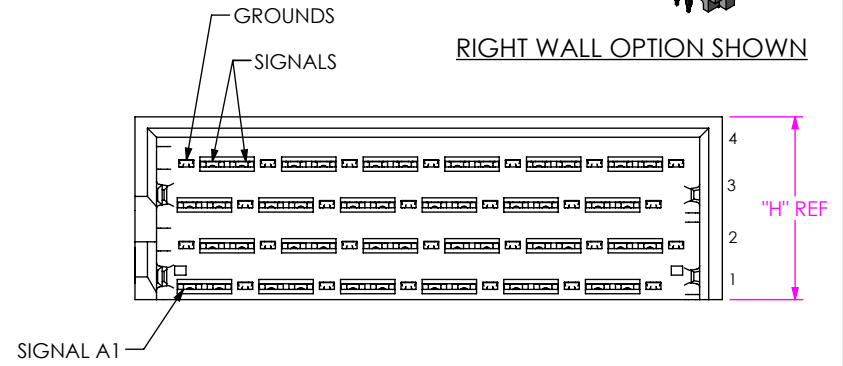


FIG 2
LEFT WALL OPTION
(HDTM-6-04-X-X-VT-1-X SHOWN)
(SAME AS FIG 1, EXCEPT AS SHOWN)

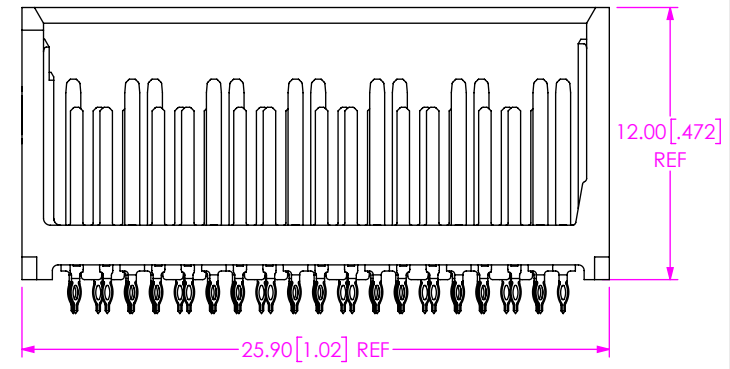
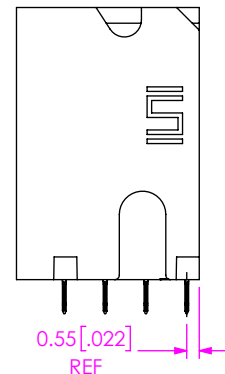


FIG 3
RIGHT WALL OPTION
(HDTM-6-04-X-X-VT-2-X SHOWN)
(SAME AS FIG 1, EXCEPT AS SHOWN)

TABLE 4		
COLUMNS	"G"	"H"
-04	8.20 [0.323]	8.06 [0.317]
-06	11.80 [0.465]	11.66 [0.459]
-08	15.40 [0.606]	15.26 [0.601]

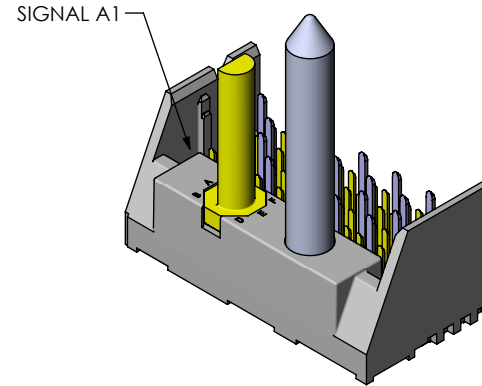
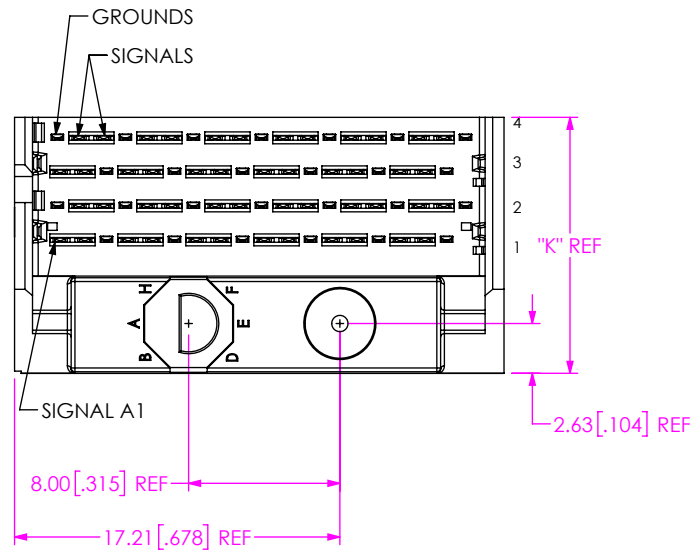
PROPRIETARY NOTE
THIS DOCUMENT CONTAINS CONFIDENTIAL AND PROPRIETARY INFORMATION AND ALL DESIGN, MANUFACTURING, REPRODUCTION, USE, PATENT RIGHTS AND SALES RIGHTS ARE EXPRESSLY RESERVED BY SAMTEC, INC. THIS DOCUMENT SHALL NOT BE DISCLOSED, IN WHOLE OR PART, TO ANY UNAUTHORIZED PERSON OR ENTITY NOR REPRODUCED, TRANSFERRED OR INCORPORATED IN ANY OTHER PROJECT IN ANY MANNER WITHOUT THE EXPRESS WRITTEN CONSENT OF SAMTEC, INC.

DO NOT SCALE DRAWING
SHEET SCALE: 5:1

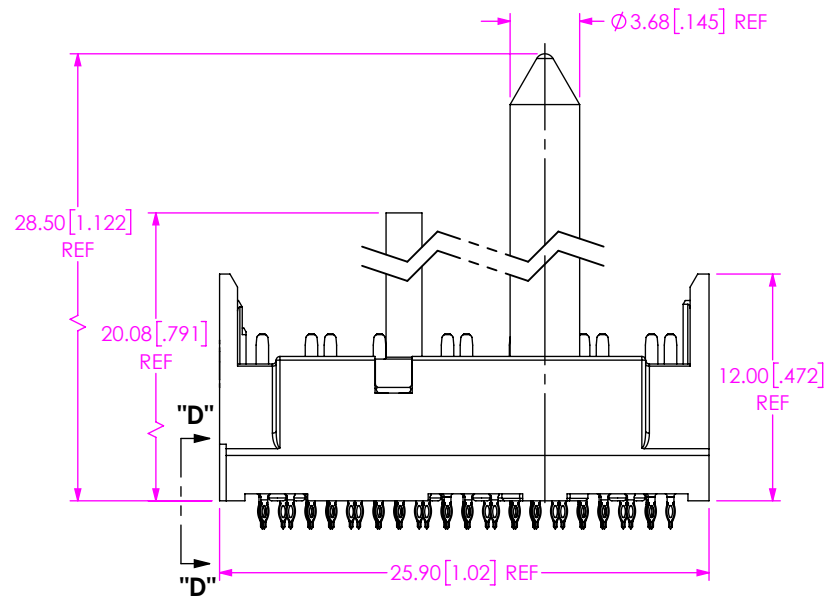


520 PARK EAST BLVD, NEW ALBANY, IN 47150
PHONE: 812-944-6733 FAX: 812-948-5047
e-Mail info@SAMTEC.com code 55322

DESCRIPTION:
XCede® 6 PAIR HD VERTICAL ASSEMBLY
DWG. NO.
HDTM-6-XX-X-X-VT-X-X-X-X
BY:KNOWL DEN 01/11/2017 SHEET 3 OF 6



LEFT POLARIZING
OPTION SHOWN



PRINTED CIRCUIT BOARD
-NOT SUPPLIED
(SEE HDTM-6-XX-X-X-VT-X-X-X-X-FOOTPRINT
DRAWING FOR DETAILS)

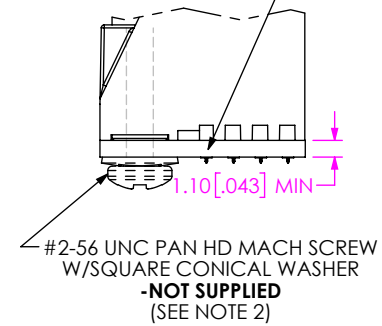
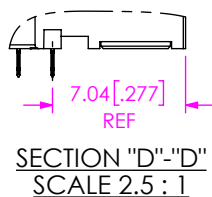


FIG 4
LEFT POLARIZING OPTION
(HDTM-6-04-X-X-VT-4-L-X-A SHOWN)
(SAME AS FIG 1, EXCEPT AS SHOWN)

TABLE 5	
COLUMNS	"K"
-04	13.54 [0.533]
-06	17.14 [0.675]
-08	20.74 [0.817]



PROPRIETARY NOTE
THIS DOCUMENT CONTAINS CONFIDENTIAL AND PROPRIETARY INFORMATION AND ALL DESIGN, MANUFACTURING, REPRODUCTION, USE, PATENT RIGHTS AND SALES RIGHTS ARE EXPRESSLY RESERVED BY SAMTEC, INC. THIS DOCUMENT SHALL NOT BE DISCLOSED, IN WHOLE OR PART, TO ANY UNAUTHORIZED PERSON OR ENTITY NOR REPRODUCED, TRANSFERRED OR INCORPORATED IN ANY OTHER PROJECT IN ANY MANNER WITHOUT THE EXPRESS WRITTEN CONSENT OF SAMTEC, INC.



520 PARK EAST BLVD, NEW ALBANY, IN 47150
PHONE: 812-944-6733 FAX: 812-948-5047
e-Mail: info@SAMTEC.com code 55322

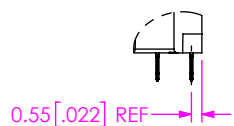
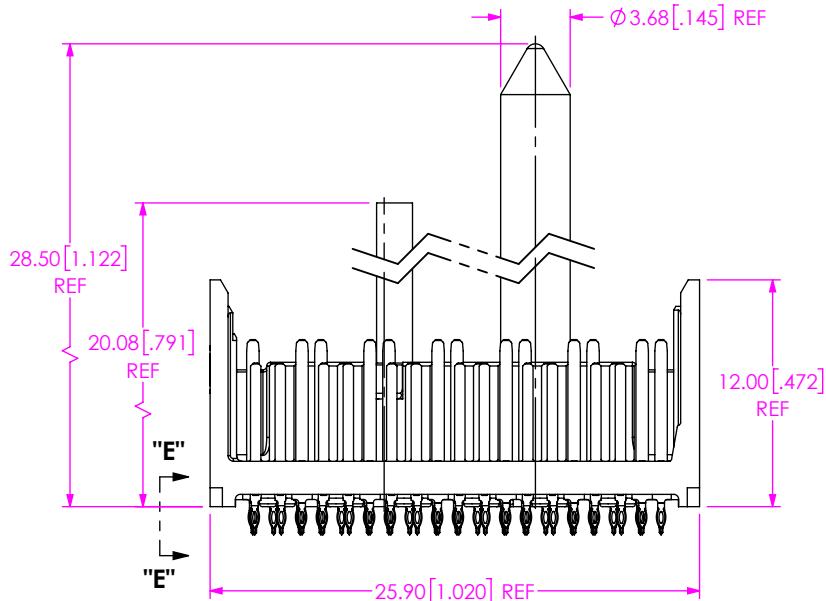
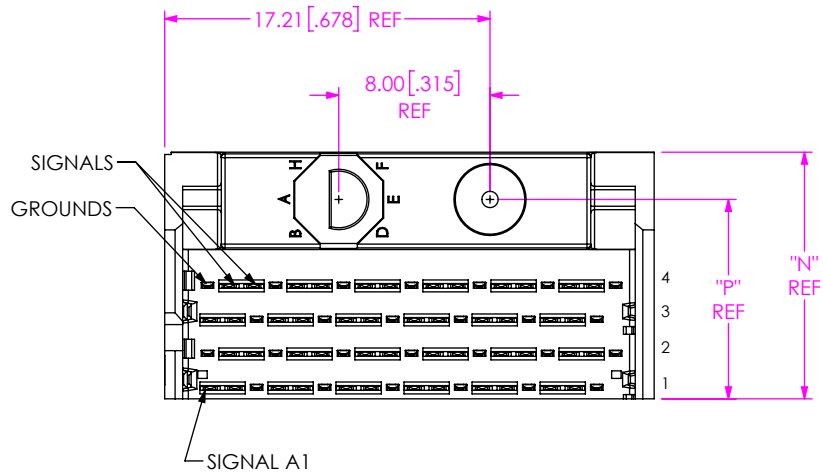
DO NOT SCALE DRAWING

SHEET SCALE: 5:1

DESCRIPTION:
XCede® 6 PAIR HD VERTICAL ASSEMBLY

DWG. NO.
HDTM-6-XX-X-X-VT-X-X-X-X

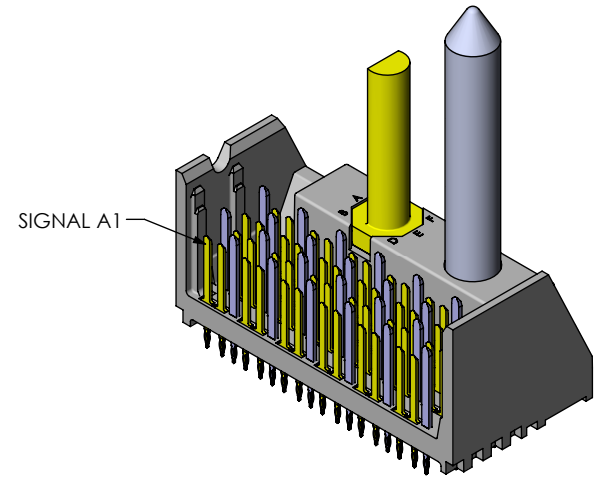
BY:KNOWL DEN 01/11/2017 SHEET 4 OF 6



SECTION "E"-"E"
SCALE 2.5 : 1

FIG 5
RIGHT POLARIZING OPTION
(HDTM-6-04-X-X-VT-5-R-X-A SHOWN)
(SAME AS FIG 1, EXCEPT AS SHOWN)

TABLE 7																	
GUIDANCE	KEYING																
-BLANK	-BLANK																
-L / -R	<table border="1"> <thead> <tr> <th>-A</th> <th>-B</th> <th>-C</th> <th>-D</th> <th>-E</th> <th>-F</th> <th>-G</th> <th>-H</th> </tr> </thead> <tbody> <tr> <td></td> <td></td> <td></td> <td></td> <td></td> <td></td> <td></td> <td></td> </tr> </tbody> </table>	-A	-B	-C	-D	-E	-F	-G	-H								
-A	-B	-C	-D	-E	-F	-G	-H										



RIGHT POLARIZING
OPTION SHOWN

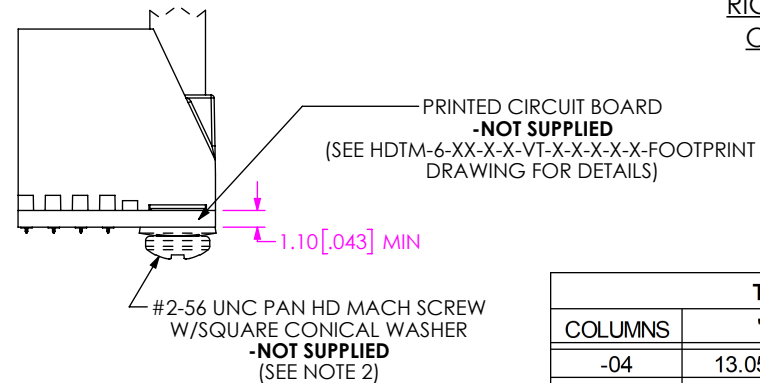


TABLE 6		
COLUMNS	"N"	"P"
-04	13.05 [0.514]	10.56 [0.416]
-06	16.65 [0.656]	14.16 [0.557]
-08	20.25 [0.797]	17.76 [0.699]

PROPRIETARY NOTE
THIS DOCUMENT CONTAINS CONFIDENTIAL AND PROPRIETARY INFORMATION AND ALL DESIGN, MANUFACTURING, REPRODUCTION, USE, PATENT RIGHTS AND SALES RIGHTS ARE EXPRESSLY RESERVED BY SAMTEC, INC. THIS DOCUMENT SHALL NOT BE DISCLOSED, IN WHOLE OR PART, TO ANY UNAUTHORIZED PERSON OR ENTITY NOR REPRODUCED, TRANSFERRED OR INCORPORATED IN ANY OTHER PROJECT IN ANY MANNER WITHOUT THE EXPRESS WRITTEN CONSENT OF SAMTEC, INC.

DO NOT SCALE DRAWING
SHEET SCALE: 5:1



520 PARK EAST BLVD, NEW ALBANY, IN 47150
PHONE: 812-944-6733 FAX: 812-948-5047
e-Mail info@SAMTEC.com code 55322

DESCRIPTION:
XCede® 6 PAIR HD VERTICAL ASSEMBLY
DWG. NO.
HDTM-6-XX-X-X-VT-X-X-X-X
BY:KNOWL DEN 01/11/2017 SHEET 5 OF 6

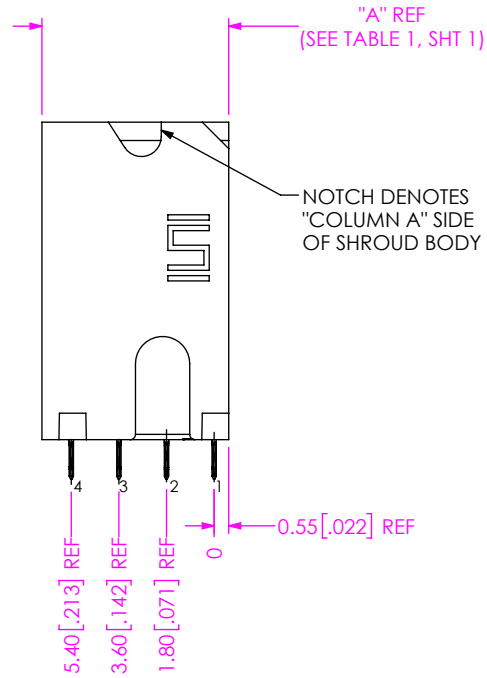


FIG 6
OPEN-NO WALL OPTION
(HDTM-6-04-X-X-VT-0-X SHOWN)
(SAME AS FIG 1, EXCEPT AS SHOWN)

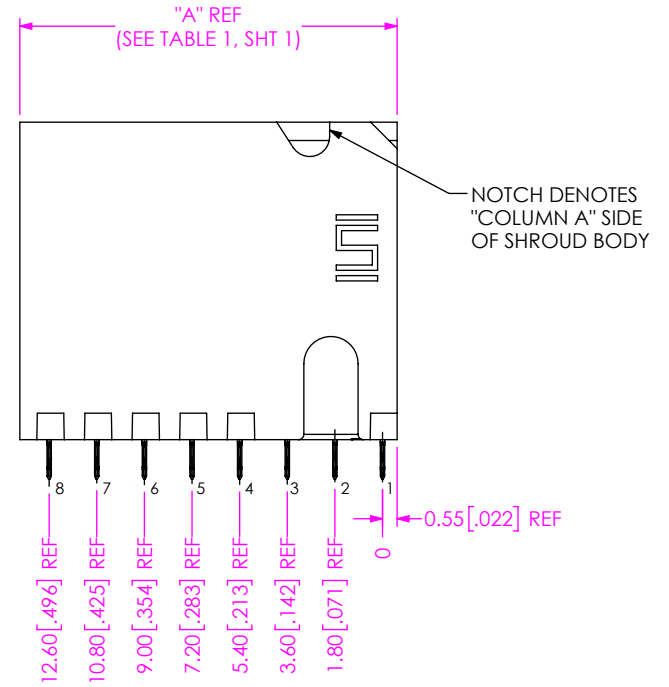


FIG 7
OPEN-NO WALL OPTION
(HDTM-6-08-X-X-VT-0-X SHOWN)
(SAME AS FIG 1, EXCEPT AS SHOWN)

PROPRIETARY NOTE
THIS DOCUMENT CONTAINS CONFIDENTIAL AND PROPRIETARY INFORMATION AND ALL DESIGN, MANUFACTURING, REPRODUCTION, USE, PATENT RIGHTS AND SALES RIGHTS ARE EXPRESSLY RESERVED BY SAMTEC, INC. THIS DOCUMENT SHALL NOT BE DISCLOSED, IN WHOLE OR PART, TO ANY UNAUTHORIZED PERSON OR ENTITY NOR REPRODUCED, TRANSFERRED OR INCORPORATED IN ANY OTHER PROJECT IN ANY MANNER WITHOUT THE EXPRESS WRITTEN CONSENT OF SAMTEC, INC.

samtec
520 PARK EAST BLVD. NEW ALBANY, IN 47150
PHONE: 812-944-6733 FAX: 812-948-5047
e-Mail info@SAMTEC.com code 55322

DO NOT SCALE DRAWING
SHEET SCALE: 2:1

DESCRIPTION:
XCede® 6 PAIR HD VERTICAL ASSEMBLY
DWG. NO.
HDTM-6-XX-X-X-VT-X-X-X-X
BY:KNOWL DEN 01/11/2017 SHEET 6 OF 6