

DESIGNED & DIMENSIONED
IN MILLIMETERS [INCHES]

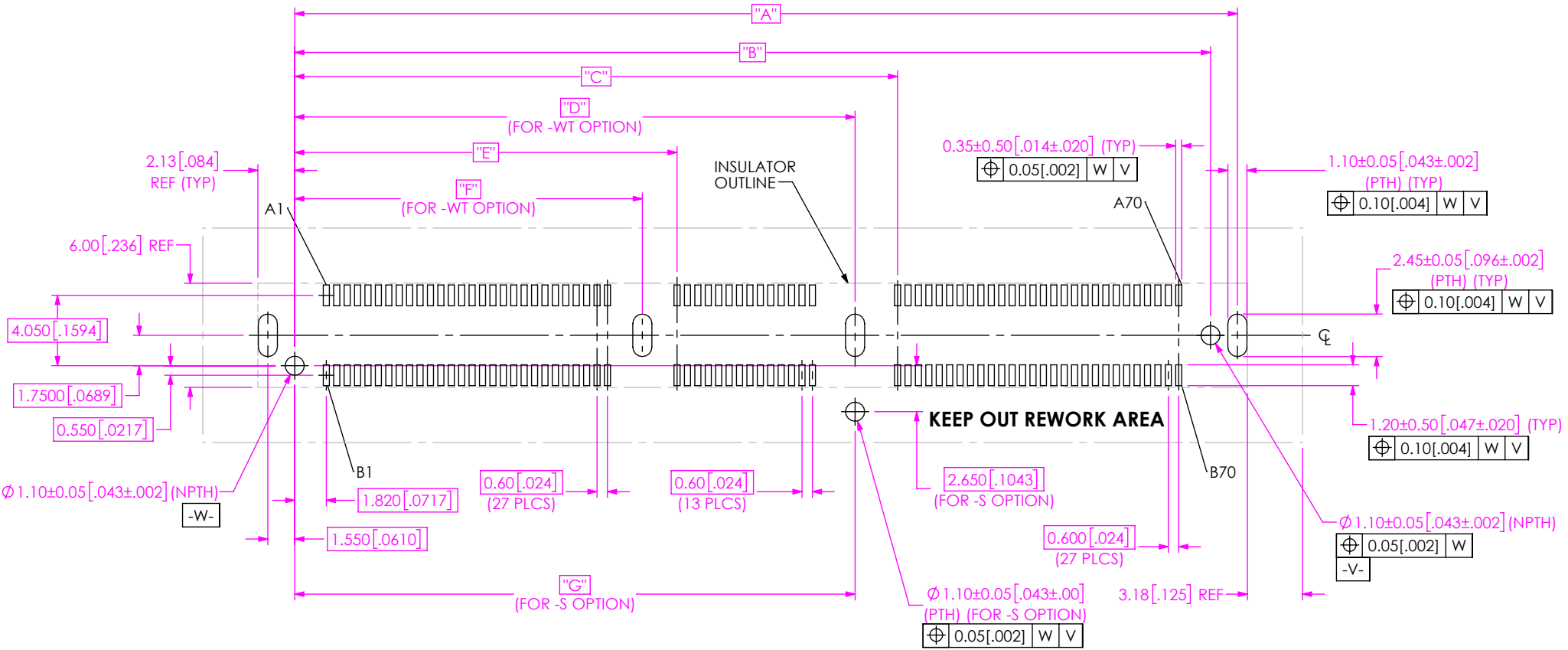


FIG 1
HSEC6-070-01-X-DV-X-WT FOOTPRINT SHOWN
(FOR -028, -042 & -070 POS ONLY)

TABLE 1							
No. OF POS (SFF-TA-1002 CONFIG)	"A"	"B"	"C"	"D"	"E"	"F"	"G"
-028(1C)	21.180 [0.8339]	19.630 [0.7728]	N/A	N/A	N/A	N/A	N/A
-042 (2C)	32.900 [1.2953]	31.345 [1.2341]	N/A	N/A	22.030 [0.8673]	20.030 [0.7886]	20.030 [0.7886]
-070 (4C)	54.320 [2.1386]	52.770 [2.0776]	34.740 [1.3677]	32.290 [1.2713]	22.030 [0.8673]	20.030 [0.7886]	32.290 [1.2713]
-084 (4C+)	66.520 [2.6189]	64.970 [2.5579]	46.940 [1.8480]	44.490 [1.7516]	34.230 [1.3476]	32.230 [1.2689]	32.230 [1.2689]

NOTES:

1. ALL DIMENSIONS ARE SYMMETRIC ABOUT THE CENTERLINE

PROPRIETARY NOTE
THIS DOCUMENT CONTAINS CONFIDENTIAL AND PROPRIETARY INFORMATION AND ALL DESIGN, MANUFACTURING, REPRODUCTION, USE, PATENT RIGHTS AND SALES RIGHTS ARE EXPRESSLY RESERVED BY SAMTEC, INC. THIS DOCUMENT SHALL NOT BE DISCLOSED, IN WHOLE OR PART, TO ANY UNAUTHORIZED PERSON OR ENTITY NOR REPRODUCED, TRANSFERRED OR INCORPORATED IN ANY OTHER PROJECT IN ANY MANNER WITHOUT THE EXPRESS WRITTEN CONSENT OF SAMTEC, INC.



520 PARK EAST BLVD, NEW ALBANY, IN 47150
PHONE: 812-944-6733 FAX: 812-948-5047
e-Mail info@SAMTEC.com code 55322

DESIGNED & DIMENSIONED
IN MILLIMETERS[INCHES]

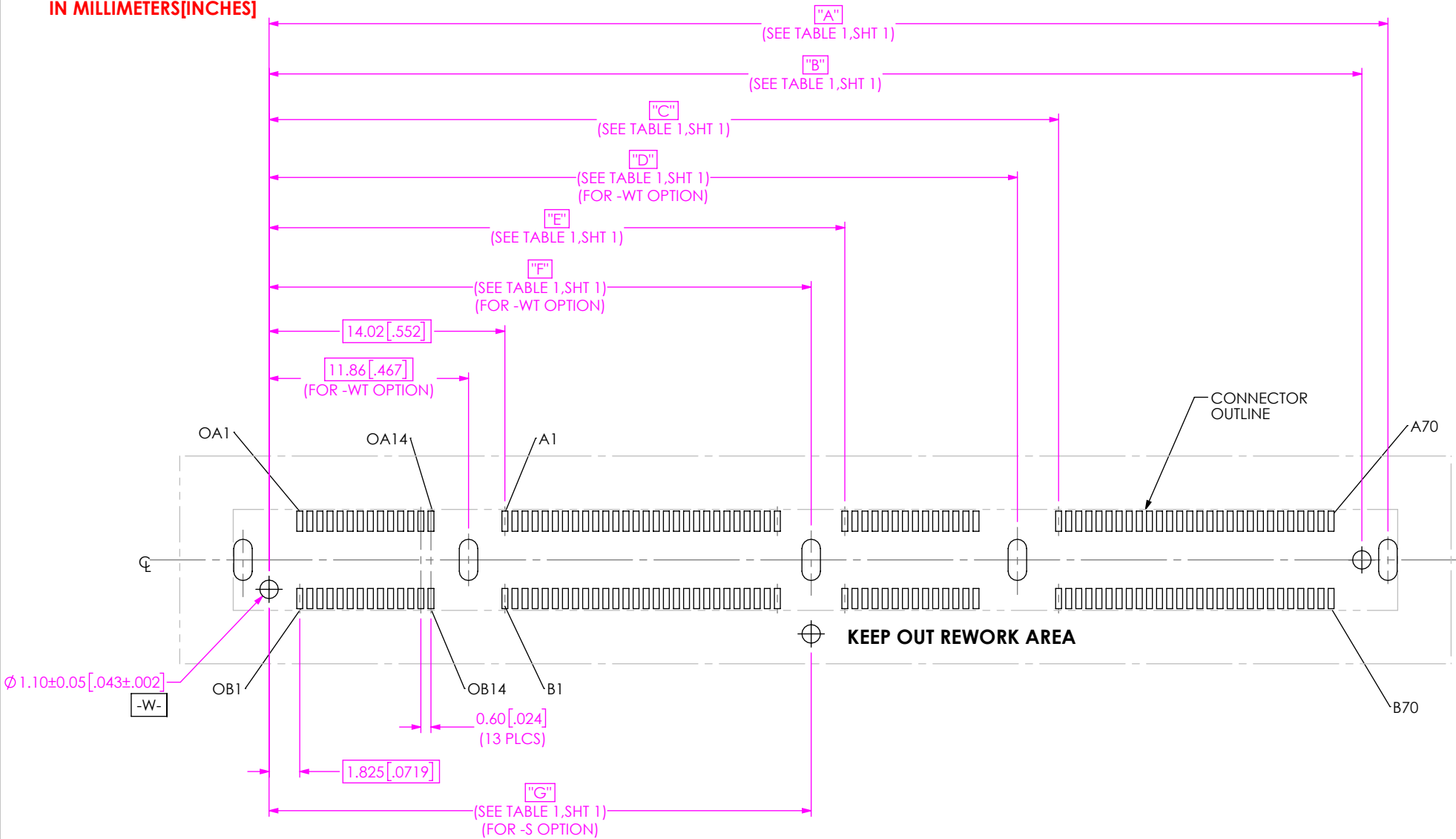


FIG 2
HSEC6-084-01-X-DV-X-WT FOOTPRINT SHOWN
(DIFFERENT AS SHOWN, OTHERWISE SAME AS FIG 1)
(FOR -084 POS ONLY)

PROPRIETARY NOTE
THIS DOCUMENT CONTAINS CONFIDENTIAL AND PROPRIETARY INFORMATION AND ALL DESIGN, MANUFACTURING, REPRODUCTION, USE, PATENT RIGHTS AND SALES RIGHTS ARE EXPRESSLY RESERVED BY SAMTEC, INC. THIS DOCUMENT SHALL NOT BE DISCLOSED, IN WHOLE OR PART, TO ANY UNAUTHORIZED PERSON OR ENTITY NOR REPRODUCED, TRANSFERRED OR INCORPORATED IN ANY OTHER PROJECT IN ANY MANNER WITHOUT THE EXPRESS WRITTEN CONSENT OF SAMTEC, INC.



520 PARK EAST BLVD, NEW ALBANY, IN 47150
PHONE: 812-944-6733 FAX: 812-948-5047
e-Mail info@SAMTEC.com code 55322

NOTE: STENCIL TO BE .0060[0.152] THICK.

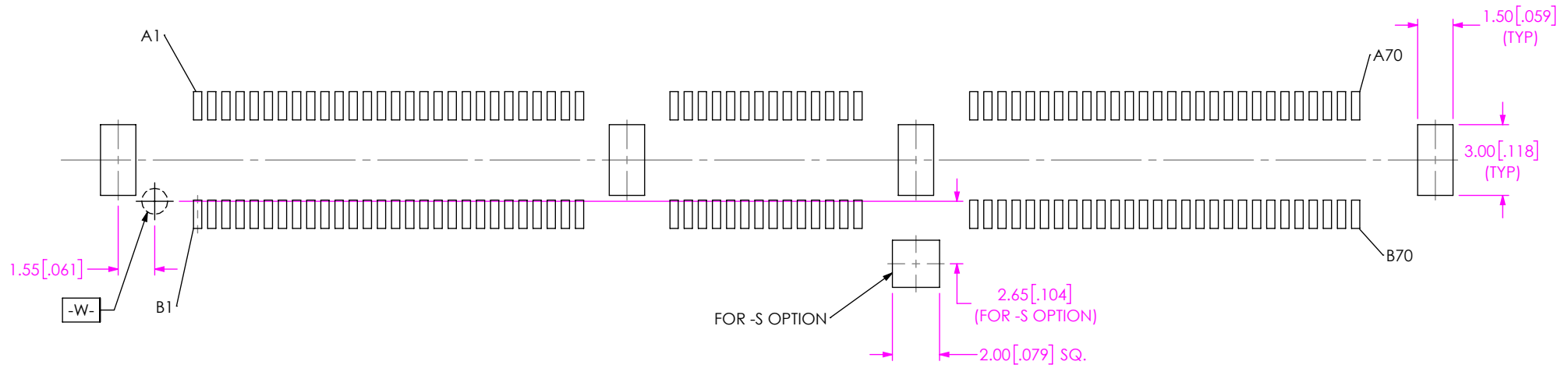


FIG 3
HSEC6-070-01-X-DV-X-WT STENCIL SHOWN
(DIFFERENT AS SHOWN, OTHERWISE SAME AS FIG 1)
(FOR -028, -042 & -070 POS ONLY)

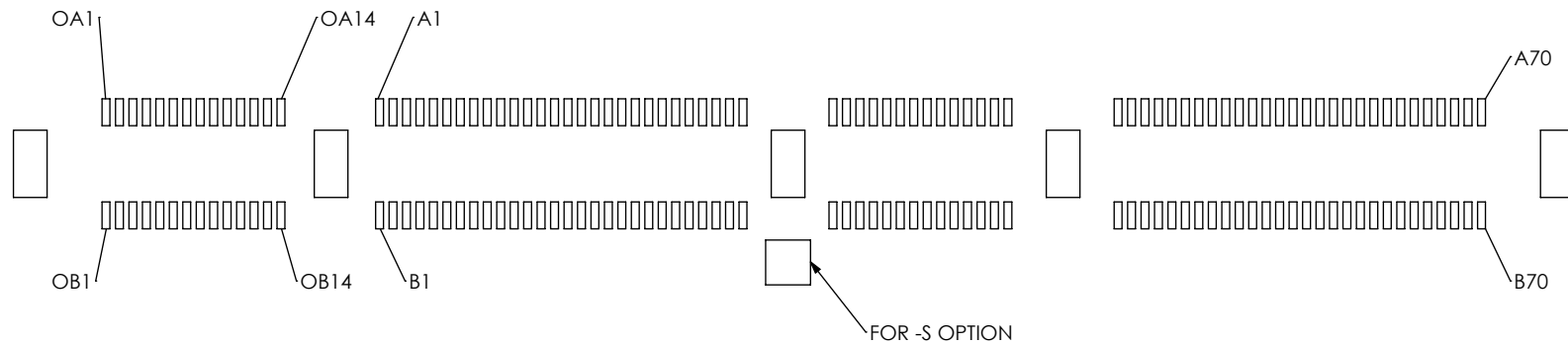


FIG 4
HSEC6-084-01-X-DV-X-WT STENCIL SHOWN
(DIFFERENT AS SHOWN, OTHERWISE SAME AS FIG 2 & 3)
(FOR -084 POS ONLY)

• PROPRIETARY NOTE •
THIS DOCUMENT CONTAINS CONFIDENTIAL AND PROPRIETARY INFORMATION AND ALL DESIGN, MANUFACTURING, REPRODUCTION, USE, PATENT RIGHTS AND SALES RIGHTS ARE EXPRESSLY RESERVED BY SAMTEC, INC. THIS DOCUMENT SHALL NOT BE DISCLOSED, IN WHOLE OR PART, TO ANY UNAUTHORIZED PERSON OR ENTITY NOR REPRODUCED, TRANSFERRED OR INCORPORATED IN ANY OTHER PROJECT IN ANY MANNER WITHOUT THE EXPRESS WRITTEN CONSENT OF SAMTEC, INC.



520 PARK EAST BLVD, NEW ALBANY, IN 47150
PHONE: 812-944-6733 FAX: 812-948-5047
e-Mail info@SAMTEC.com code 55322

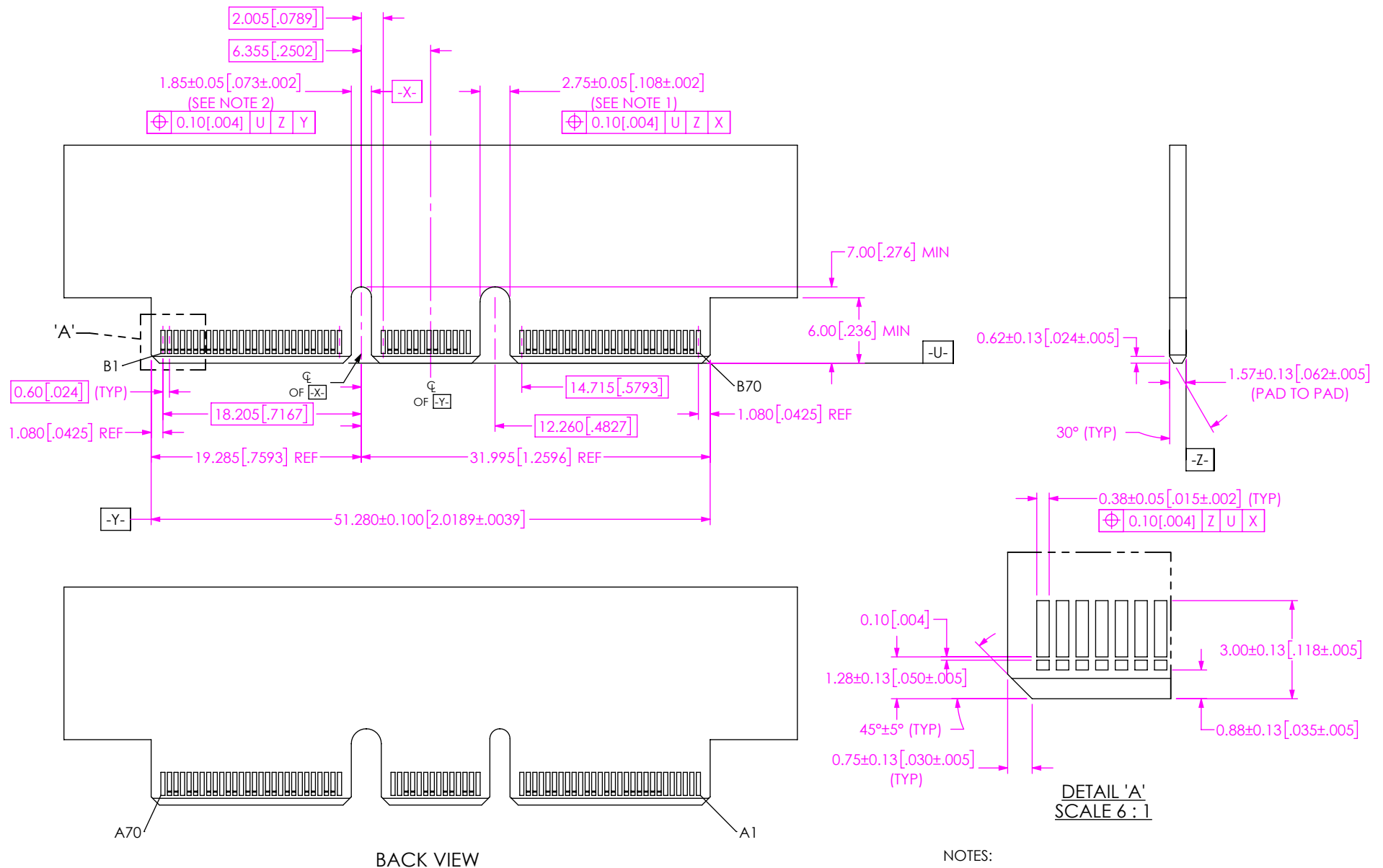


FIG 5
HSEC6-070-01-X-DV-WT MATING CARD SHOWN
(FOR -070 POS ONLY)

- NOTES:
1. ONLY AVAILABLE WITH -070 & -084 CARDS.
 2. ONLY AVAILABLE WITH -042, -070 & -084 CARDS.
 3. PLATING TO BE .000030 INCHES GOLD WITH A HARDNESS OF 130-200 KNOOP PER ASTM B 488 TYPE 2, GRADE C.
 4. SEE SFF-TA-1002 FOR SPLIT PADS POSITION.

PROPRIETARY NOTE
THIS DOCUMENT CONTAINS CONFIDENTIAL AND PROPRIETARY INFORMATION AND ALL DESIGN, MANUFACTURING, REPRODUCTION, USE, PATENT RIGHTS AND SALES RIGHTS ARE EXPRESSLY RESERVED BY SAMTEC, INC. THIS DOCUMENT SHALL NOT BE DISCLOSED, IN WHOLE OR PART, TO ANY UNAUTHORIZED PERSON OR ENTITY NOR REPRODUCED, TRANSFERRED OR INCORPORATED IN ANY OTHER PROJECT IN ANY MANNER WITHOUT THE EXPRESS WRITTEN CONSENT OF SAMTEC, INC.

samtec
520 PARK EAST BLVD, NEW ALBANY, IN 47150
PHONE: 812-944-6733 FAX: 812-948-5047
e-Mail info@SAMTEC.com code 55322

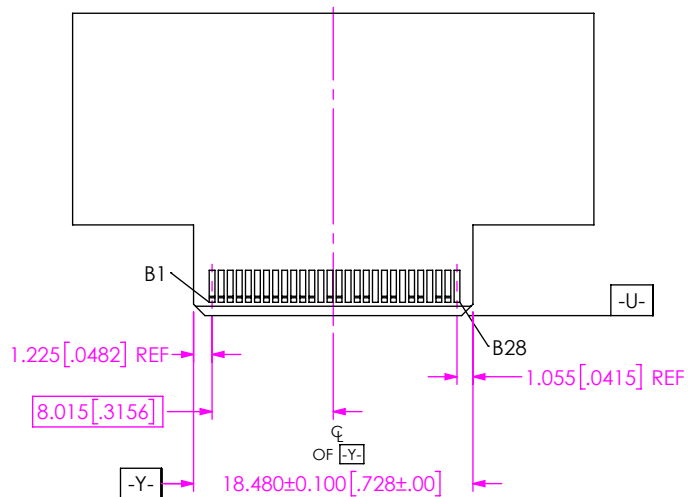


FIG 6
HSEC6-028-01-X-DV-WT MATING CARD SHOWN
(DIFFERENT AS SHOWN, OTHERWISE SAME AS FIG 5)
(FOR -028 ONLY)

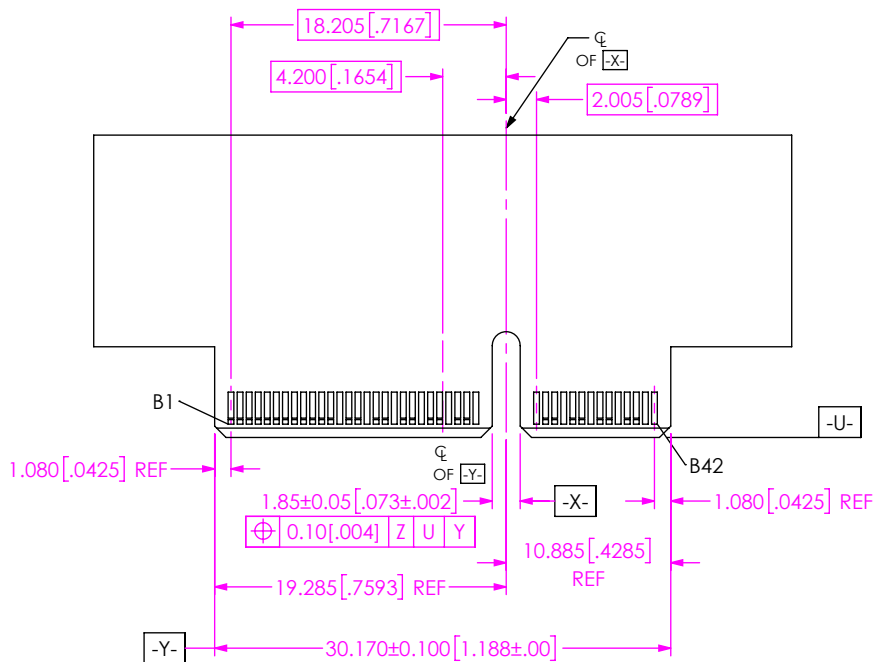


FIG 7
HSEC6-042-01-X-DV-WT MATING CARD SHOWN
(DIFFERENT AS SHOWN, OTHERWISE SAME AS FIG 5)
(FOR -042 ONLY)

PROPRIETARY NOTE
THIS DOCUMENT CONTAINS CONFIDENTIAL AND PROPRIETARY INFORMATION AND ALL DESIGN, MANUFACTURING, REPRODUCTION, USE, PATENT RIGHTS AND SALES RIGHTS ARE EXPRESSLY RESERVED BY SAMTEC, INC. THIS DOCUMENT SHALL NOT BE DISCLOSED, IN WHOLE OR PART, TO ANY UNAUTHORIZED PERSON OR ENTITY NOR REPRODUCED, TRANSFERRED OR INCORPORATED IN ANY OTHER PROJECT IN ANY MANNER WITHOUT THE EXPRESS WRITTEN CONSENT OF SAMTEC, INC.



520 PARK EAST BLVD, NEW ALBANY, IN 47150
PHONE: 812-944-6733 FAX: 812-948-5047
e-Mail info@SAMTEC.com code 55322

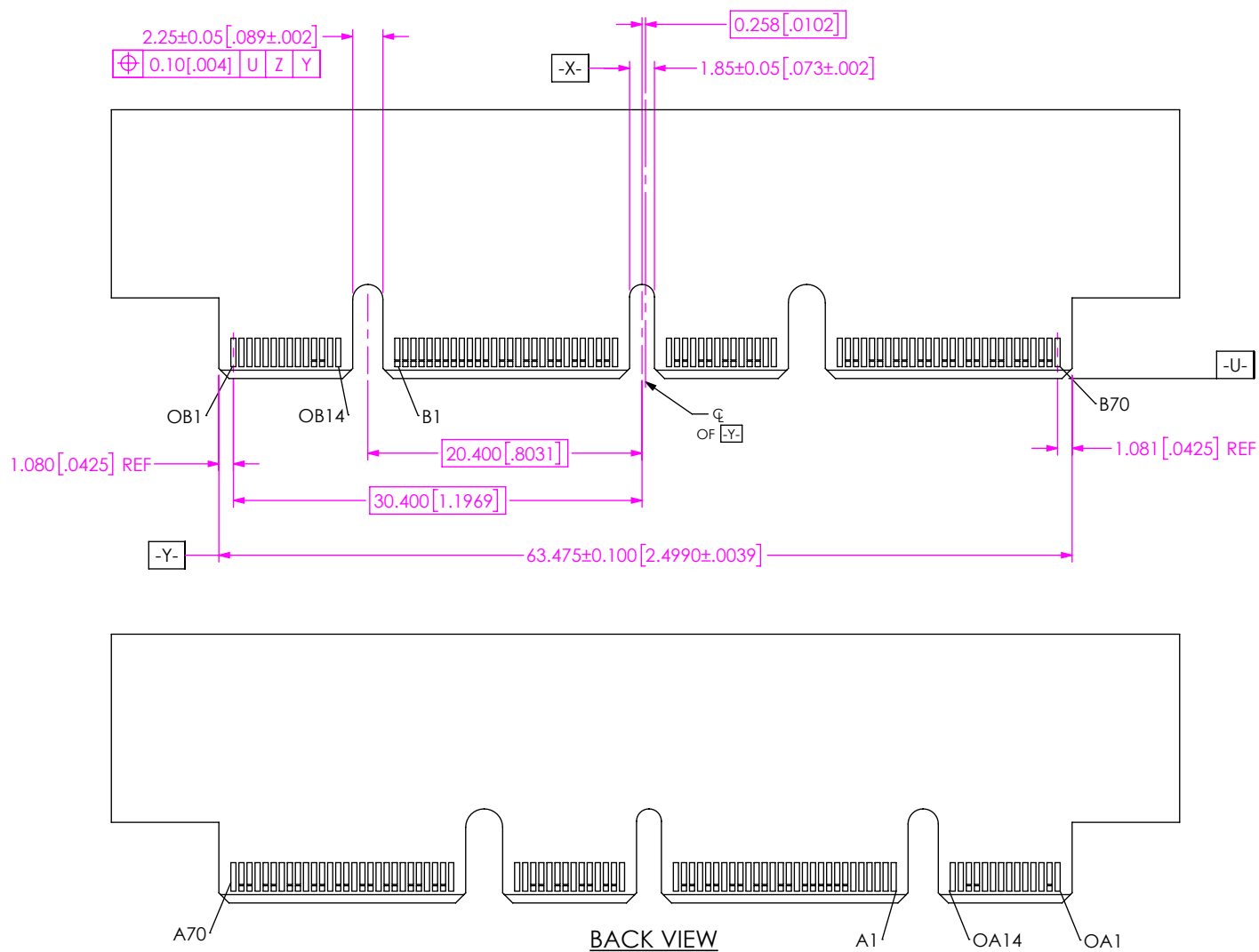


FIG 8
HSEC6-084-01-X-DV-WT MATING CARD SHOWN
(DIFFERENT AS SHOWN, OTHERWISE SAME AS FIG 5)
(FOR -084 POS ONLY)

• PROPRIETARY NOTE •
THIS DOCUMENT CONTAINS CONFIDENTIAL AND PROPRIETARY INFORMATION AND ALL DESIGN, MANUFACTURING, REPRODUCTION, USE, PATENT RIGHTS AND SALES RIGHTS ARE EXPRESSLY RESERVED BY SAMTEC, INC. THIS DOCUMENT SHALL NOT BE DISCLOSED, IN WHOLE OR PART, TO ANY UNAUTHORIZED PERSON OR ENTITY NOR REPRODUCED, TRANSFERRED OR INCORPORATED IN ANY OTHER PROJECT IN ANY MANNER WITHOUT THE EXPRESS WRITTEN CONSENT OF SAMTEC, INC.



520 PARK EAST BLVD, NEW ALBANY, IN 47150
PHONE: 812-944-6733 FAX: 812-948-5047
e-Mail info@SAMTEC.com code 55322

Pin Geometry Pattern (28 POSITION (1C))

(SEE NOTE 1)

POSITIONS

SIDE A	1	2	3	4	5	6	7	8	9	10	11	12	13	14	15	16	17	18	19	20	21	22	23	24	25	26	27	28
NAME	GND	SIG	SIG	GND	SIG	SIG	GND	SIG	SIG	GND	SIG	SIG	GND	SIG	SIG	GND	SIG	SIG	GND	SIG	SIG	GND	SIG	SIG	GND	SIG	SIG	GND
SIDE B	1	2	3	4	5	6	7	8	9	10	11	12	13	14	15	16	17	18	19	20	21	22	23	24	25	26	27	28

Users should refer to the SFF-TA-1002 standard for formal guidance on signal mapping naming.

Pin Geometry Pattern (42 POSITION (2C))

(SEE NOTE 1)

POSITIONS

SIDE A	1	2	3	4	5	6	7	8	9	10	11	12	13	14	15	16	17	18	19	20	21	22	23	24	25	26	27	28
NAME	GND	SIG	SIG	GND	SIG	SIG	GND	SIG	SIG	GND	SIG	SIG	GND	SIG	SIG	GND	SIG	SIG	GND	SIG	SIG	GND	SIG	SIG	GND	SIG	SIG	GND
SIDE B	1	2	3	4	5	6	7	8	9	10	11	12	13	14	15	16	17	18	19	20	21	22	23	24	25	26	27	28
SIDE A	29	30	31	32	33	34	35	36	37	38	39	40	41	42														
NAME	GND	SIG	SIG	GND	SIG	SIG	GND	SIG	SIG	GND	SIG	SIG	GND	GND														
SIDE B	29	30	31	32	33	34	35	36	37	38	39	40	41	42														

Users should refer to the SFF-TA-1002 standard for formal guidance on signal mapping naming.

Pin Geometry Pattern (70 POSITION (4C))

(SEE NOTE 1)

POSITIONS

SIDE A	1	2	3	4	5	6	7	8	9	10	11	12	13	14	15	16	17	18	19	20	21	22	23	24	25	26	27	28							
NAME	GND	SIG	SIG	GND	SIG	SIG	GND	SIG	SIG	GND	SIG	SIG	GND	SIG	SIG	GND	SIG	SIG	GND	SIG	SIG	GND	SIG	SIG	GND	SIG	SIG	GND							
SIDE B	1	2	3	4	5	6	7	8	9	10	11	12	13	14	15	16	17	18	19	20	21	22	23	24	25	26	27	28							
SIDE A	36	37	38	39	40	41	42	43	44	45	46	47	48	49	50	51	52	53	54	55	56	57	58	59	60	61	62	63	64	65	66	67	68	69	70
NAME	SIG	SIG	GND	SIG	SIG	GND	GND	GND	SIG	SIG	GND	SIG	SIG	GND	SIG	SIG	GND	SIG	SIG	GND	SIG	SIG	GND	SIG	SIG	GND	SIG	SIG	GND	SIG	SIG	GND	SIG	SIG	GND
SIDE B	36	37	38	39	40	41	42	43	44	45	46	47	48	49	50	51	52	53	54	55	56	57	58	59	60	61	62	63	64	65	66	67	68	69	70

Users should refer to the SFF-TA-1002 standard for formal guidance on signal mapping naming.

Pin Geometry Pattern (84 POSITION (4C+))

(SEE NOTE 1)

POSITIONS

SIDE A	1	2	3	4	5	6	7	8	9	10	11	12	13	14	15	16	17	18	19	20	21	22	23	24	25	26	27	28							
NAME	GND	SIG	SIG	GND	SIG	SIG	GND	SIG	SIG	GND	SIG	SIG	GND	SIG	SIG	GND	SIG	SIG	GND	SIG	SIG	GND	SIG	SIG	GND	SIG	SIG	GND							
SIDE B	1	2	3	4	5	6	7	8	9	10	11	12	13	14	15	16	17	18	19	20	21	22	23	24	25	26	27	28							
SIDE A	36	37	38	39	40	41	42	43	44	45	46	47	48	49	50	51	52	53	54	55	56	57	58	59	60	61	62	63	64	65	66	67	68	69	70
NAME	SIG	SIG	GND	SIG	SIG	GND	GND	GND	SIG	SIG	GND	SIG	SIG	GND	SIG	SIG	GND	SIG	SIG	GND	SIG	SIG	GND	SIG	SIG	GND	SIG	SIG	GND	SIG	SIG	GND	SIG	SIG	GND
SIDE B	36	37	38	39	40	41	42	43	44	45	46	47	48	49	50	51	52	53	54	55	56	57	58	59	60	61	62	63	64	65	66	67	68	69	70
SIDE A		OA1	OA2	OA3	OA4	OA5	OA6	OA7	OA8	OA9	OA10	OA11	OA12	OA13	OA14																				
NAME		GND	SIG	SIG	GND	SIG	SIG	GND	SIG	SIG	GND	SIG	SIG	GND	SIG																				
SIDE B		OB1	OB2	OB3	OB4	OB5	OB6	OB7	OB8	OB9	OB10	OB11	OB12	OB13	OB14																				

Users should refer to the SFF-TA-1002 standard for formal guidance on signal mapping naming.

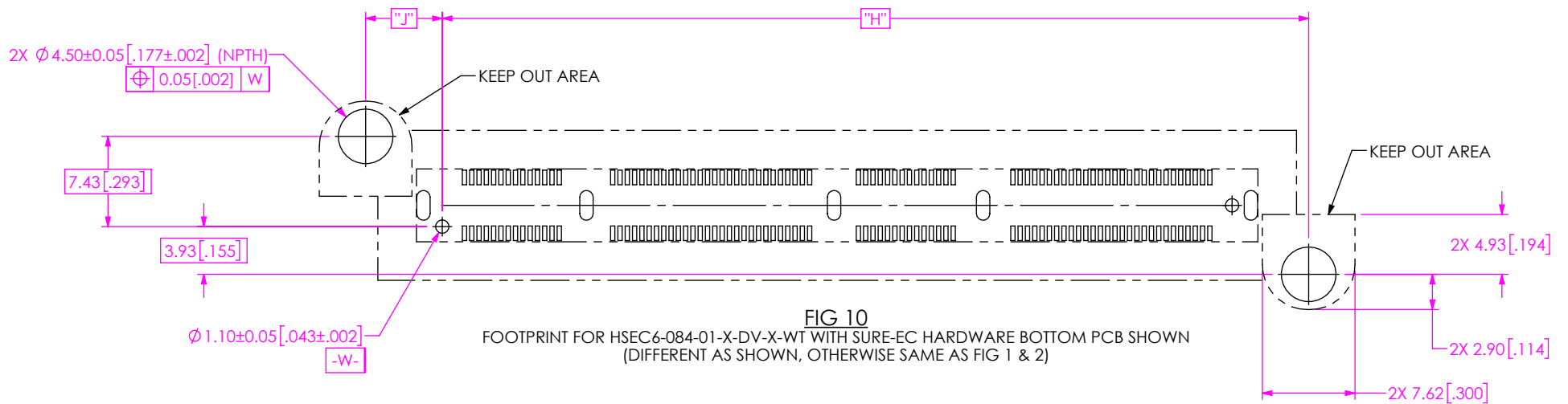
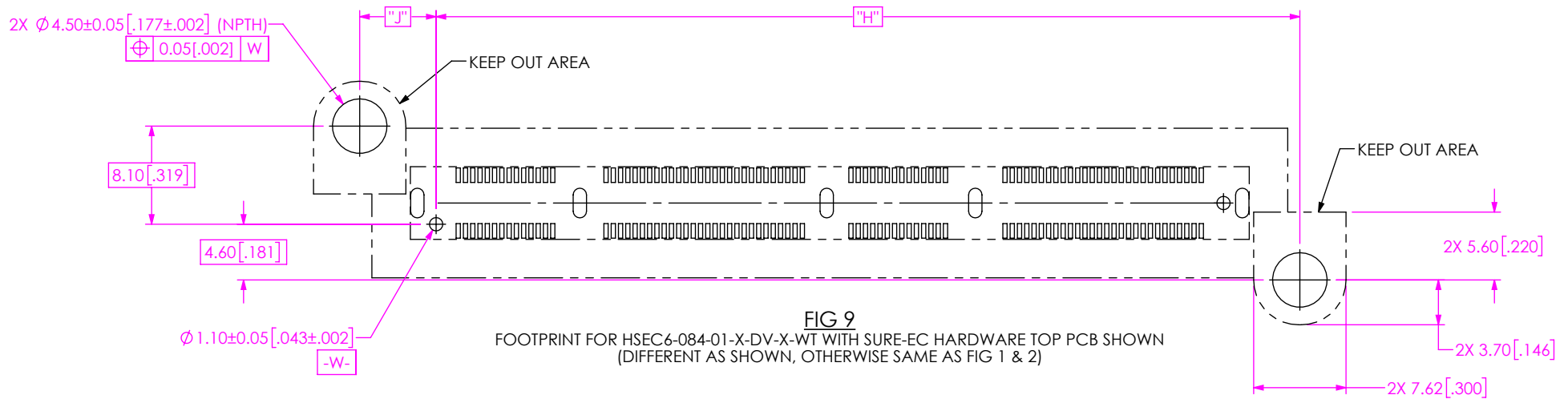
NOTES:

1. THE TABLE ONLY DESCRIBES WHICH PINS USE A "SIGNAL" GEOMETRY AND WHICH PINS USE A "GND" GEOMETRY, IF AND ONLY IF THE GEOMETRY OF THOSE PINS IS DIFFERENT AND DOES NOT DEFINE A FUNCTIONAL PIN OUT.

PROPRIETARY NOTICE
 THIS DOCUMENT CONTAINS CONFIDENTIAL AND PROPRIETARY INFORMATION AND ALL DESIGN, MANUFACTURING, REPRODUCTION, USE, PATENT RIGHTS AND SALES RIGHTS ARE EXPRESSLY RESERVED BY SAMTEC, INC. THIS DOCUMENT SHALL NOT BE DISCLOSED, IN WHOLE OR PART, TO ANY UNAUTHORIZED PERSON OR ENTITY NOR REPRODUCED, TRANSFERRED OR INCORPORATED IN ANY OTHER PROJECT IN ANY MANNER WITHOUT THE EXPRESS WRITTEN CONSENT OF SAMTEC, INC.



520 PARK EAST BLVD, NEW ALBANY, IN 47150
 PHONE: 812-944-6733 FAX: 812-948-5047
 e-Mail info@SAMTEC.com code 55322



No. OF POS (SFF-TA-1002 CONFIG)	"H"	"J"
-028(1C)	26.125 [1.0285]	8.455 [0.3329]
-042 (2C)	37.962 [1.4946]	6.308 [0.2483]
-070 (4C)	59.078 [2.3259]	6.303 [0.2481]
-084 (4C+)	71.270 [2.8059]	6.305 [0.2482]

PROPRIETARY NOTE
THIS DOCUMENT CONTAINS CONFIDENTIAL AND PROPRIETARY INFORMATION AND ALL DESIGN, MANUFACTURING, REPRODUCTION, USE, PATENT RIGHTS AND SALES RIGHTS ARE EXPRESSLY RESERVED BY SAMTEC, INC. THIS DOCUMENT SHALL NOT BE DISCLOSED, IN WHOLE OR PART, TO ANY UNAUTHORIZED PERSON OR ENTITY NOR REPRODUCED, TRANSFERRED OR INCORPORATED IN ANY OTHER PROJECT IN ANY MANNER WITHOUT THE EXPRESS WRITTEN CONSENT OF SAMTEC, INC.



520 PARK EAST BLVD, NEW ALBANY, IN 47150
PHONE: 812-944-6733 FAX: 812-948-5047
e-Mail info@SAMTEC.com code 55322

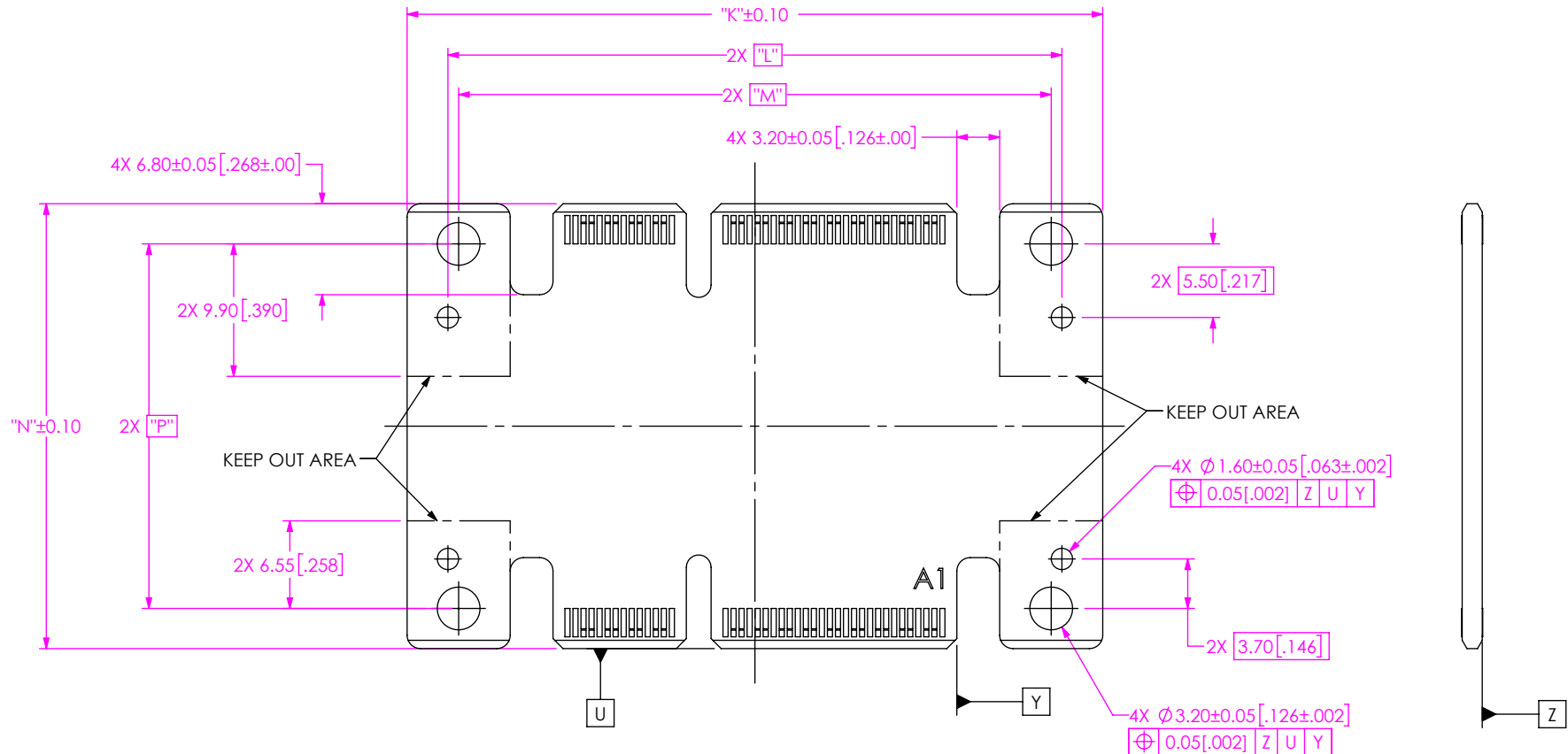


FIG 11
 H6RU-042-DV-040-XX-XXX EDGE CARD SHOWN
 (DIFFERENT AS SHOWN, OTHERWISE SAME AS FIG 5, 6, 7, & 8)

TABLE 3			
No. OF POS (SFF-TA-1002 CONFIG)	"K"	"L"	"M"
-028(1C)	SEE FIG 12		
-042 (2C)	51.970 [2.0461]	45.870 [1.8059]	44.270 [1.7429]
-070 (4C)	73.080 [2.8772]	66.980 [2.6370]	65.380 [2.5740]
-084 (4C+)	85.275 [3.3573]	79.175 [3.1171]	77.575 [3.0541]

TABLE 4		
STACK HEIGHT	"N"	"P"
-025	18.25 [0.719]	12.25 [0.482]
-030	23.25 [0.915]	17.25 [0.679]
-040	33.25 [1.309]	27.25 [1.073]
-050	43.25 [1.703]	37.25 [1.467]
-060	53.25 [2.096]	47.25 [1.860]

• PROPRIETARY NOISE •
 THIS DOCUMENT CONTAINS CONFIDENTIAL AND PROPRIETARY INFORMATION AND ALL DESIGN, MANUFACTURING, REPRODUCTION, USE, PATENT RIGHTS AND SALES RIGHTS ARE EXPRESSLY RESERVED BY SAMTEC, INC. THIS DOCUMENT SHALL NOT BE DISCLOSED, IN WHOLE OR PART, TO ANY UNAUTHORIZED PERSON OR ENTITY NOR REPRODUCED, TRANSFERRED OR INCORPORATED IN ANY OTHER PROJECT IN ANY MANNER WITHOUT THE EXPRESS WRITTEN CONSENT OF SAMTEC, INC.



520 PARK EAST BLVD, NEW ALBANY, IN 47150
 PHONE: 812-944-6733 FAX: 812-948-5047
 e-Mail info@SAMTEC.com code 55322

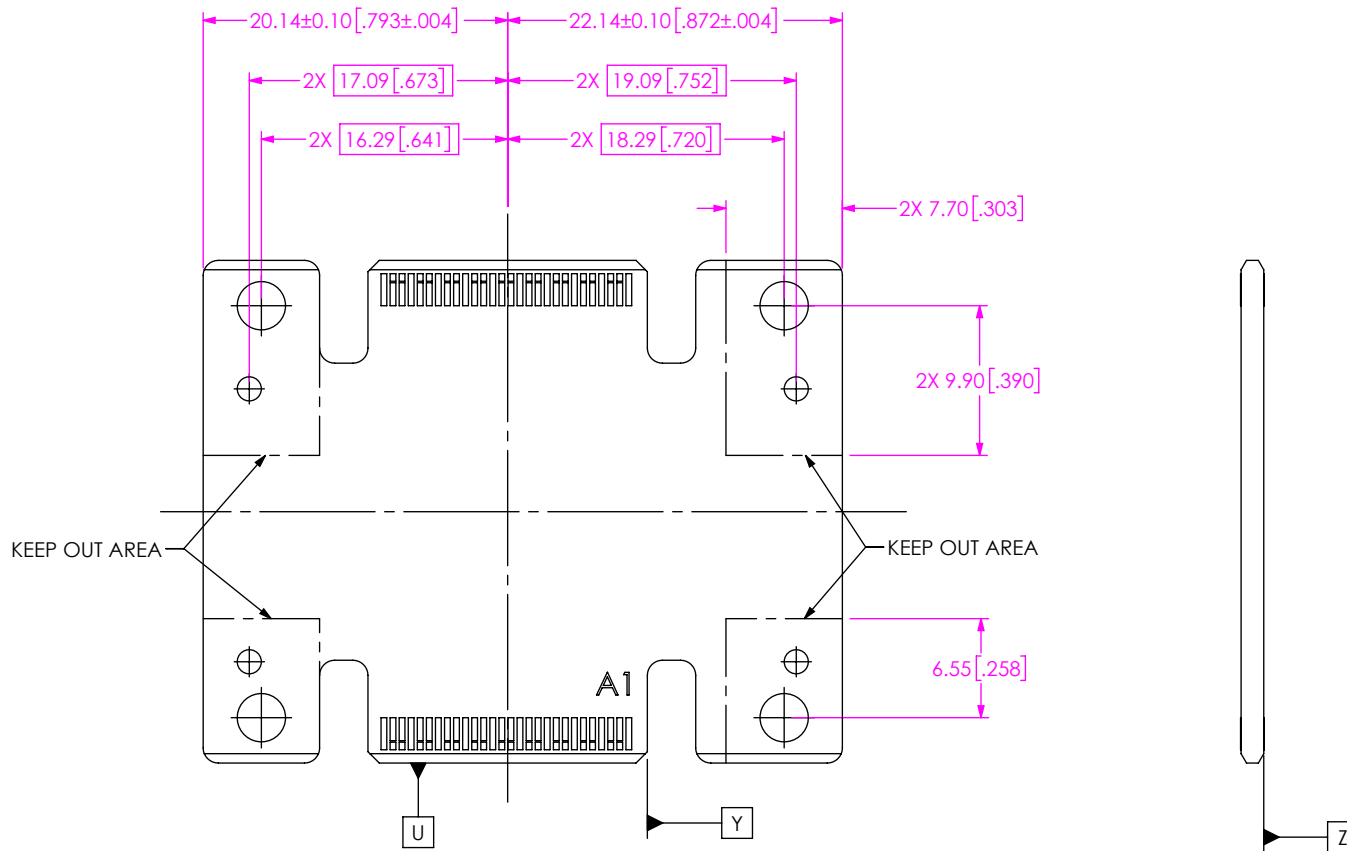


FIG 12
 H6RU-028-DV-040-XX-XXX EDGE CARD SHOWN
 (DIFFERENT AS SHOWN, OTHERWISE SAME AS FIG 5, 6, 7, 8, & 11)

PROPRIETARY NOTE
 THIS DOCUMENT CONTAINS CONFIDENTIAL AND PROPRIETARY INFORMATION AND ALL DESIGN, MANUFACTURING, REPRODUCTION, USE, PATENT RIGHTS AND SALES RIGHTS ARE EXPRESSLY RESERVED BY SAMTEC, INC. THIS DOCUMENT SHALL NOT BE DISCLOSED, IN WHOLE OR PART, TO ANY UNAUTHORIZED PERSON OR ENTITY NOR REPRODUCED, TRANSFERRED OR INCORPORATED IN ANY OTHER PROJECT IN ANY MANNER WITHOUT THE EXPRESS WRITTEN CONSENT OF SAMTEC, INC.



520 PARK EAST BLVD, NEW ALBANY, IN 47150
 PHONE: 812-944-6733 FAX: 812-948-5047
 e-Mail info@SAMTEC.com code 55322