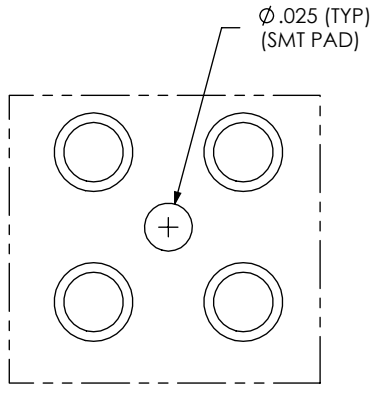
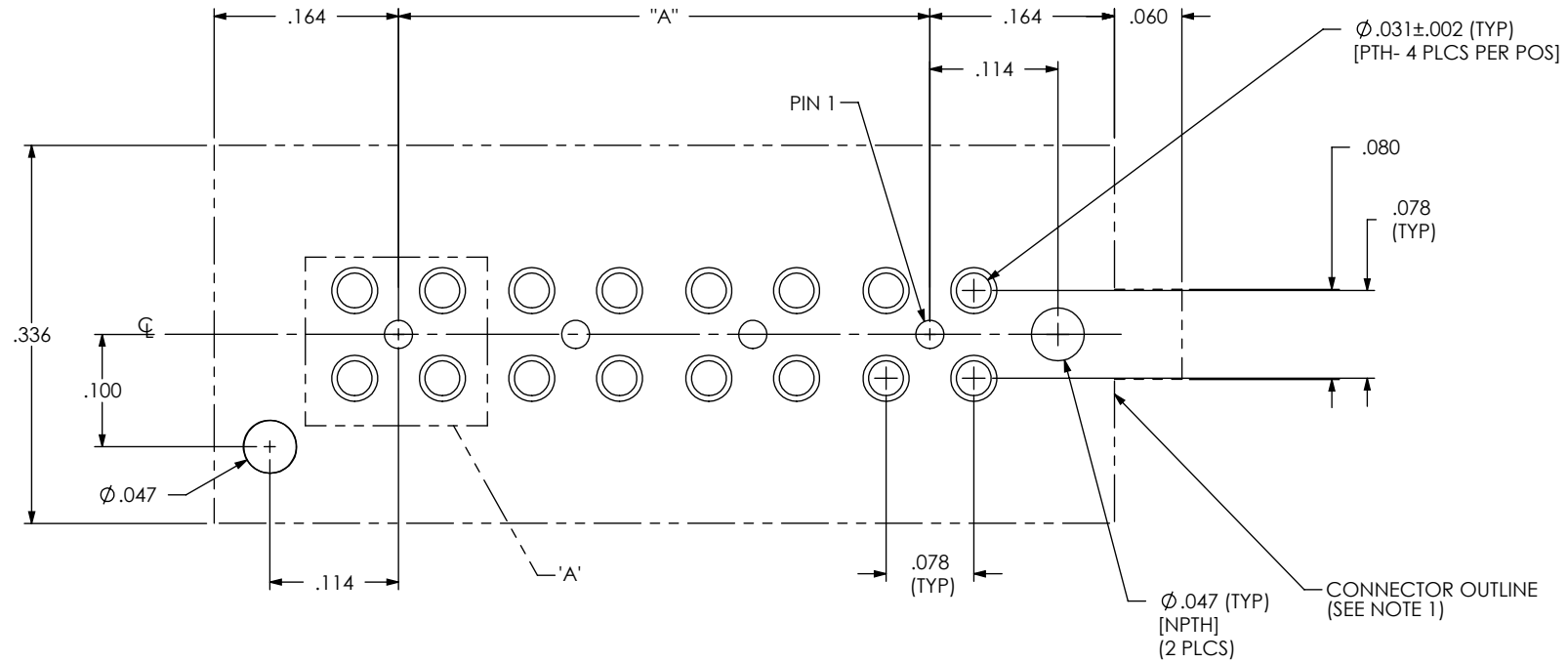


TABLE 1	
No. POS / ROWS	"A"
*-01	N/A
*-02	0.1575
*-04	0.4725
*-06	0.7875
*-08	1.1025
**-.10	1.4175

\*= SEE NOTE 2  
\*\*= NOT TOOLED



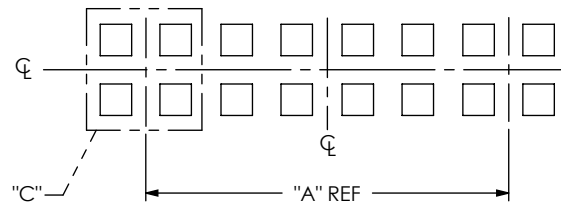
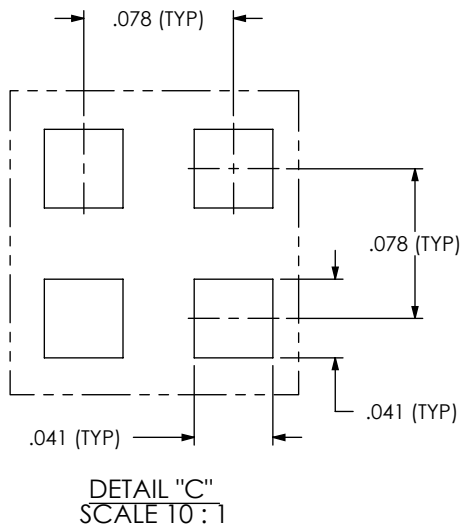
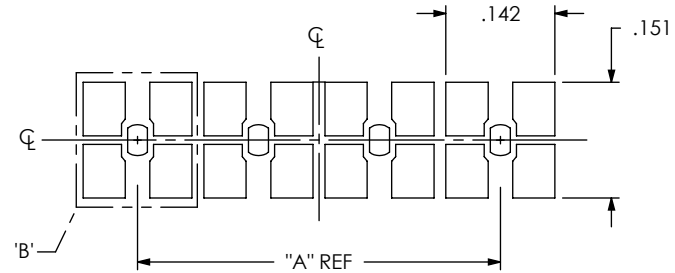
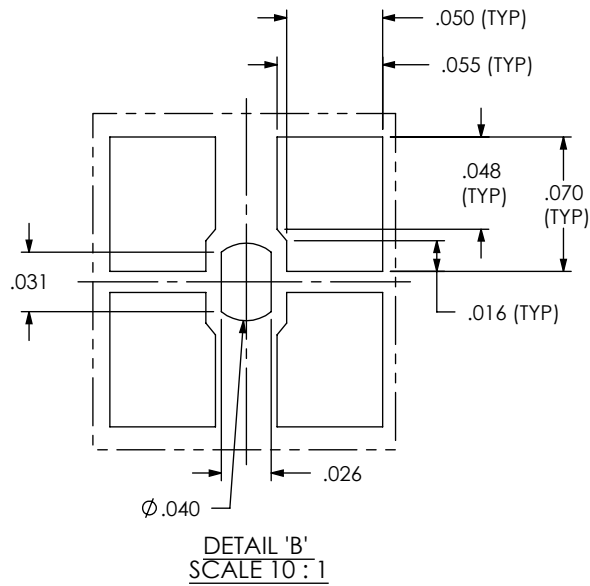
- NOTES:
- CONNECTOR ENVELOPE DIMENSIONS. OTHER COMPONENTS PLACED ON PCB SHALL AVOID THIS ZONE.
  - NOT TOOLED FOR -L OPTION.
  - SOLDER MASK OVER VIA TO PREVENT SOLDER FROM FILLING VIA

**PROPRIETARY NOTE**  
THIS DOCUMENT CONTAINS INFORMATION CONFIDENTIAL AND PROPRIETARY TO SAMTEC, INC. AND SHALL NOT BE REPRODUCED OR TRANSFERRED TO OTHER DOCUMENTS OR DISCLOSED TO OTHERS OR USED FOR ANY PURPOSE OTHER THAN THAT WHICH IT WAS OBTAINED WITHOUT THE EXPRESSED WRITTEN CONSENT OF SAMTEC, INC.

**samtec**  
520 PARK EAST BLVD, NEW ALBANY, IN 47150  
PHONE: 812-944-6733 FAX: 812-948-5047  
e-Mail: info@SAMTEC.com code: 55322

NOTES:

1. STENCIL TO BE .0050[.127] THICK.
2. TO ACHIEVE THE DESIRED SOLDER FILLET VOLUME, WE RECOMMEND THAT SOLDER PASTE BE PRINTED ON BOTH SIDES OF THE PCB USING THE LAYOUTS IN FIGURES 2 AND 3.



**PROPRIETARY NOTE**  
THIS DOCUMENT CONTAINS INFORMATION CONFIDENTIAL AND PROPRIETARY TO SAMTEC, INC. AND SHALL NOT BE REPRODUCED OR TRANSFERRED TO OTHER DOCUMENTS OR DISCLOSED TO OTHERS OR USED FOR ANY PURPOSE OTHER THAN THAT WHICH IT WAS OBTAINED WITHOUT THE EXPRESSED WRITTEN CONSENT OF SAMTEC, INC.

**samtec**  
520 PARK EAST BLVD, NEW ALBANY, IN 47150  
PHONE: 812-944-6733 FAX: 812-948-5047  
e-Mail: info@SAMTEC.com code: 55322

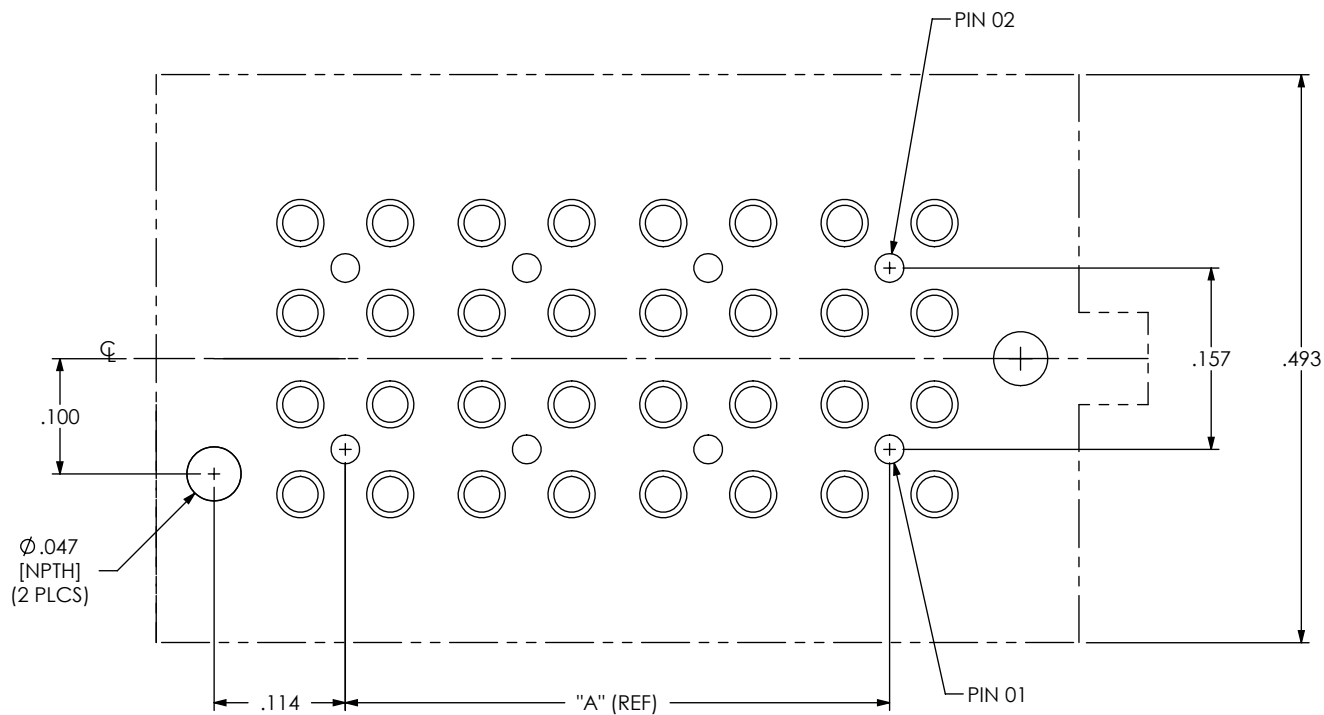


FIG.4  
 (FOOTPRINT FOR 2 ROW X 4 POSITION SHOWN)  
 (SAME AS FIG.1, EXCEPT AS SHOWN)  
 (ALL DIMENSIONS ARE SYMMETRIC ABOUT THE CENTERLINE)

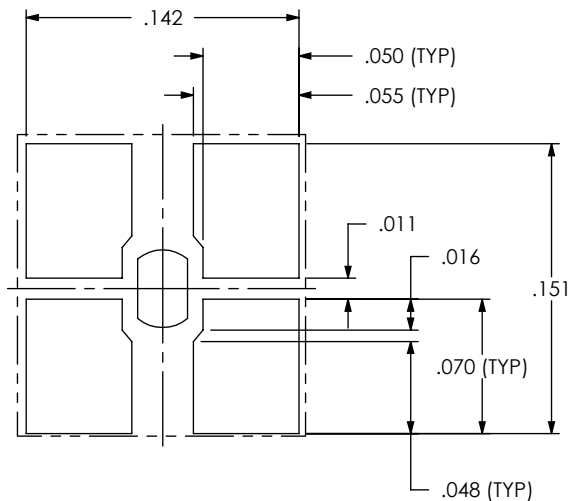
**PROPRIETARY NOTE**  
 THIS DOCUMENT CONTAINS INFORMATION  
 CONFIDENTIAL AND PROPRIETARY TO  
 SAMTEC, INC. AND SHALL NOT BE REPRODUCED  
 OR TRANSFERRED TO OTHER DOCUMENTS OR  
 DISCLOSED TO OTHERS OR USED FOR ANY  
 PURPOSE OTHER THAN THAT WHICH IT WAS  
 OBTAINED WITHOUT THE EXPRESSED WRITTEN  
 CONSENT OF SAMTEC, INC.



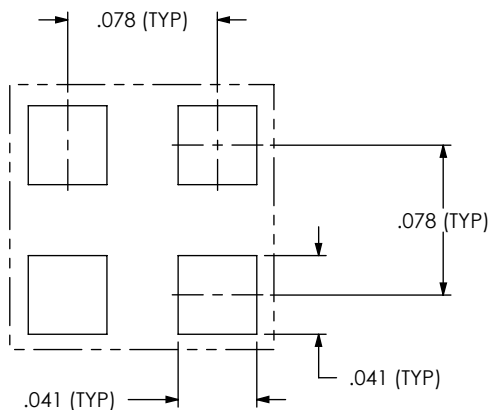
520 PARK EAST BLVD, NEW ALBANY, IN 47150  
 PHONE: 812-944-6733 FAX: 812-948-5047  
 e-Mail: info@SAMTEC.com code: 55322

NOTES:

1. STENCIL TO BE .0050[.127] THICK.
2. TO ACHIEVE THE DESIRED SOLDER FILLET VOLUME, WE RECOMMEND THAT SOLDER PASTE BE PRINTED ON BOTH SIDES OF THE PCB USING THE LAYOUTS IN FIGURES 5 AND 6.



DETAIL "D"  
SCALE TO : 1



DETAIL "E"  
SCALE TO : 1

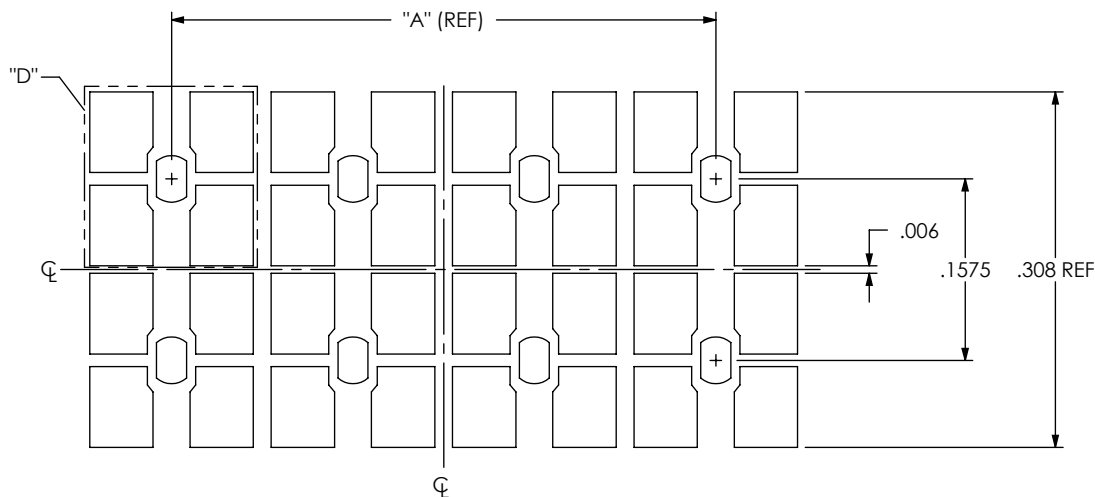


FIG. 5  
TOP SIDE  
(STENCIL FOR 2 ROW x 4 POSITION SHOWN)  
(SAME AS FIG. 2, EXCEPT AS SHOWN)  
(ALL DIMENSIONS ARE SYMMETRIC ABOUT THE CENTERLINE)

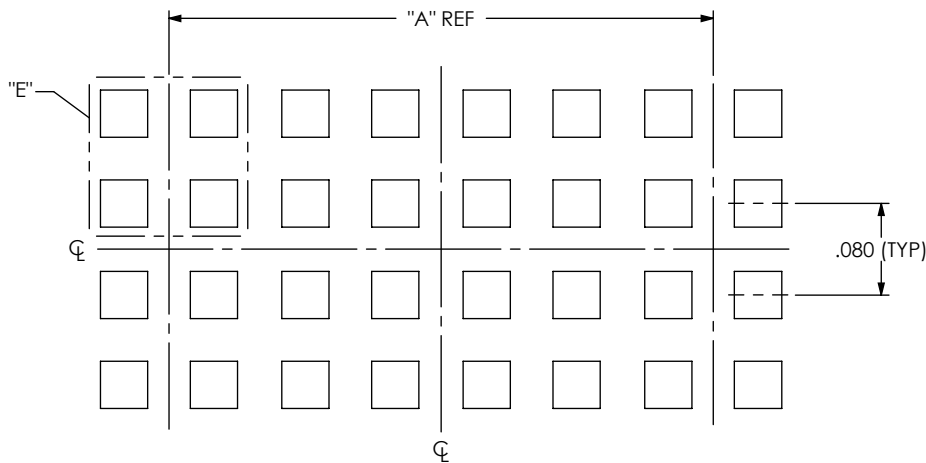


FIG. 6  
BOTTOM SIDE  
(STENCIL FOR 2 ROW x 4 POSITION SHOWN)  
(SAME AS FIG. 2, EXCEPT AS SHOWN)  
(ALL DIMENSIONS ARE SYMMETRIC ABOUT THE CENTERLINE)

**PROPRIETARY NOTE**  
THIS DOCUMENT CONTAINS INFORMATION CONFIDENTIAL AND PROPRIETARY TO SAMTEC, INC. AND SHALL NOT BE REPRODUCED OR TRANSFERRED TO OTHER DOCUMENTS OR DISCLOSED TO OTHERS OR USED FOR ANY PURPOSE OTHER THAN THAT WHICH IT WAS OBTAINED WITHOUT THE EXPRESSED WRITTEN CONSENT OF SAMTEC, INC.

**samtec**  
520 PARK EAST BLVD, NEW ALBANY, IN 47150  
PHONE: 812-944-6733 FAX: 812-948-5047  
e-Mail: info@SAMTEC.com code: 55322