

NO. OF PORTS
-01: 1 LIGHT PIPE
-02: 2 LIGHT PIPES

DO NOT
SCALE FROM
THIS PRINT

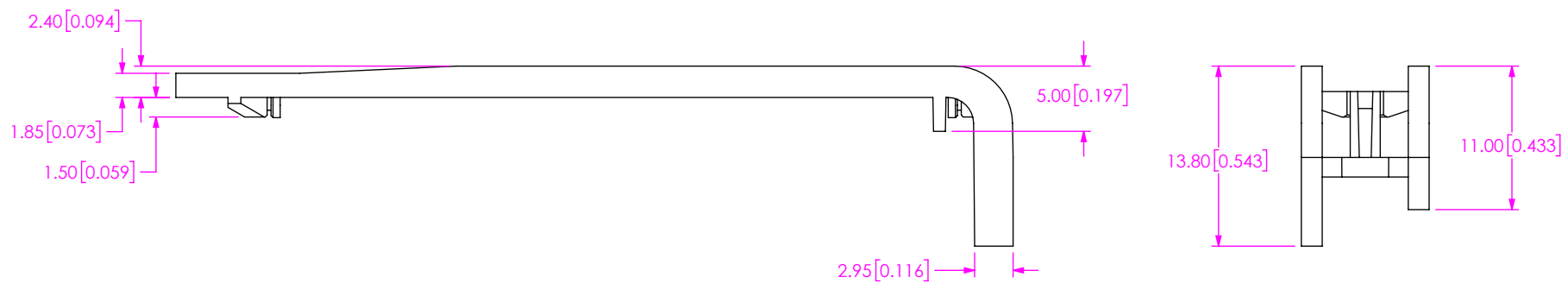
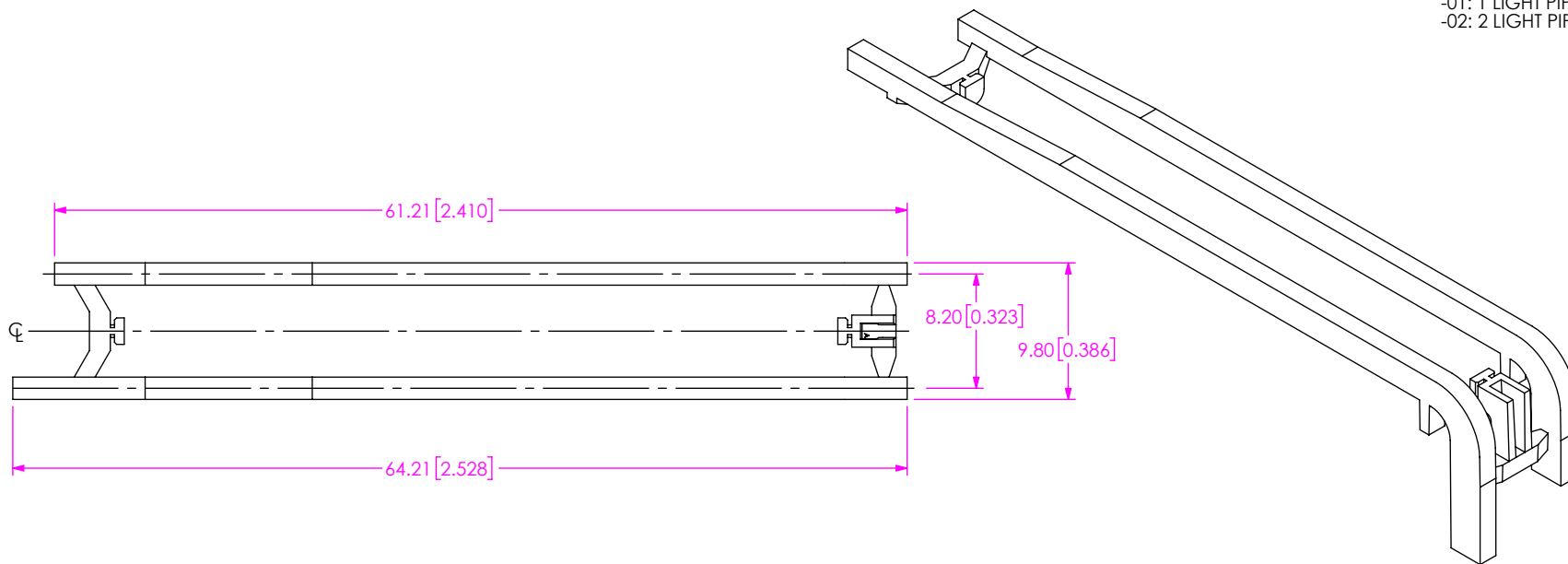


FIG 1
LP-FSFP-01 SHOWN

NOTES:
1. PULL AND SHIP IN TY-LP001.

<p>PROPRIETARY NOTE</p> <p>THIS DOCUMENT CONTAINS CONFIDENTIAL AND PROPRIETARY INFORMATION AND ALL DESIGN, MANUFACTURING, REPRODUCTION, USE, PATENT RIGHTS AND SALES RIGHTS ARE EXPRESSLY RESERVED BY SAMTEC, INC. THIS DOCUMENT SHALL NOT BE DISCLOSED, IN WHOLE OR PART, TO ANY UNAUTHORIZED PERSON OR ENTITY NOR REPRODUCED, TRANSFERRED OR INCORPORATED IN ANY OTHER PROJECT IN ANY MANNER WITHOUT THE EXPRESS WRITTEN CONSENT OF SAMTEC, INC.</p>	<p>DO NOT SCALE DRAWING SHEET SCALE: 2:1</p>		<p>DESCRIPTION: LIGHT PIPES FOR FSFP</p>
	<p>MATERIAL: LEXAN 940A; COLOR: TRANSPARENT</p>	<p>DWG. NO. LP-FSFP-XX</p>	
	<p>BY: DOLBEARE K 5/4/2023</p>		<p>SHEET 1 OF 2</p>



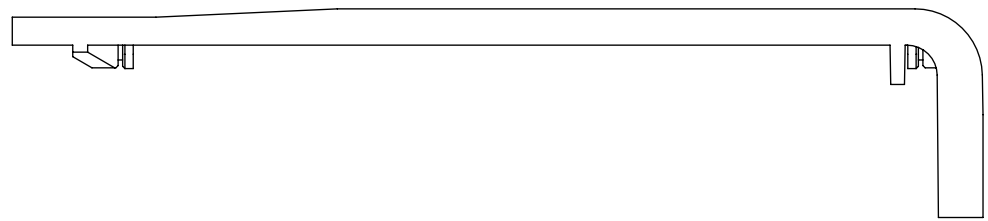
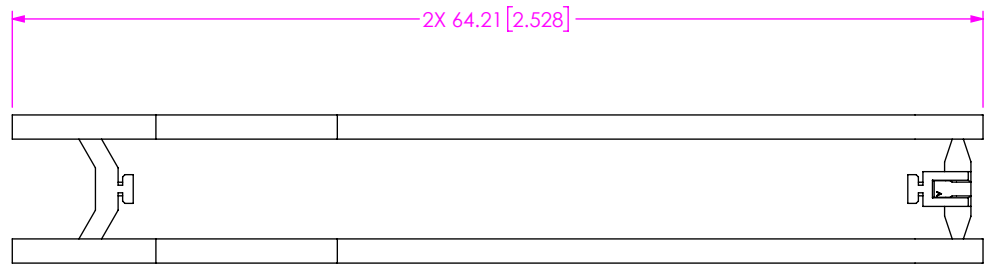


FIG 2
 LP-FSFP-02 SHOWN
 (DIFFERENT AS SHOWN, OTHERWISE SAME AS FIG 1)

<p>PROPRIETARY NOTE</p> <p>THIS DOCUMENT CONTAINS CONFIDENTIAL AND PROPRIETARY INFORMATION AND ALL DESIGN, MANUFACTURING, REPRODUCTION, USE, PATENT RIGHTS AND SALES RIGHTS ARE EXPRESSLY RESERVED BY SAMTEC, INC. THIS DOCUMENT SHALL NOT BE DISCLOSED, IN WHOLE OR PART, TO ANY UNAUTHORIZED PERSON OR ENTITY NOR REPRODUCED, TRANSFERRED OR INCORPORATED IN ANY OTHER PROJECT IN ANY MANNER WITHOUT THE EXPRESS WRITTEN CONSENT OF SAMTEC, INC.</p>	<p>samtec</p> <p>520 PARK EAST BLVD, NEW ALBANY, IN 47150 PHONE: 812-944-6733 FAX: 812-948-5047 e-Mail info@SAMTEC.com code 55322</p>
<p>SHEET SCALE: 1:1</p>	<p>DESCRIPTION: LIGHT PIPES FOR FSFP</p>
	<p>DWG. NO. LP-FSFP-XX</p>
	<p>BY: DOLBEARE K 5/4/2023 SHEET 2 OF 2</p>