

DO NOT SCALE FROM THIS PRINT

DESIGNED & DIMENSIONED IN MILLIMETERS[INCHES]

MMCX7-J-C-XX-ST-CA3-X

| TABLE 1 | | | |
|---------|--------------|-------------------------|-------------------------|
| ITEM | COMPONENT | -HF | -GF |
| 1 | SUB ASSEMBLY | SUB-GRF7V-J-C-FF-ST-CA3 | SUB-GRF7V-J-C-FN-ST-CA3 |
| 2 | SOCKET | GRF7-J-C-H-ST-SKT | GRF7-J-C-G-ST-SKT |
| 3 | FERRULE | MCX-FER-001-F | MCX-FER-001-N |

GENDER
-J: JACK

TYPE
-C: CABLE

PACKAGING
-BLANK: INDIVIDUALLY BAGGED
-B: BULK PACKAGED (QTY=100 MAX)

TERMINATION
-CA3: CABLE (RG179)

ORIENTATION
-ST: STRAIGHT

PLATING SPECIFICATION
-HF: 30µ" GOLD CENTER CONTACT,
3µ" GOLD OUTER CONTACT
-GF: 10µ" GOLD CENTER CONTACT,
3µ" GOLD OUTER CONTACT,
100µ" NICKEL REMAINING PARTS
(SEE TABLE 1)

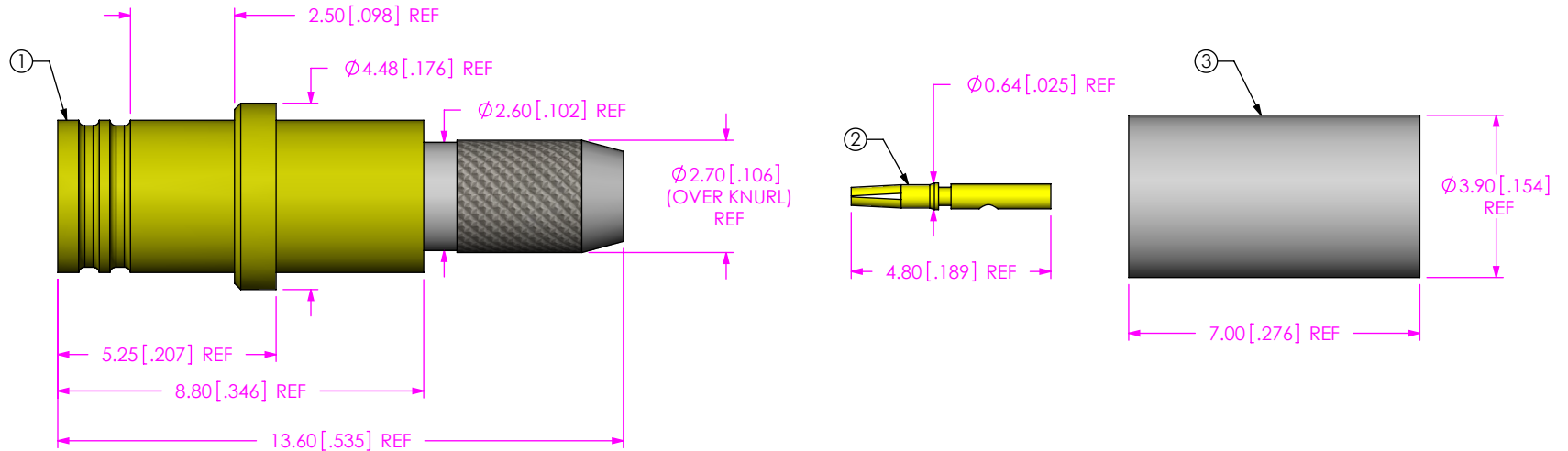
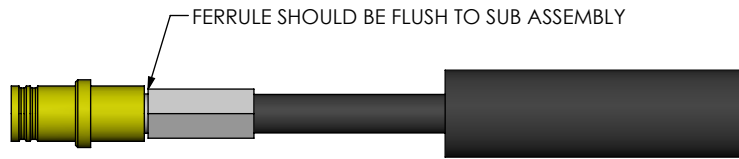
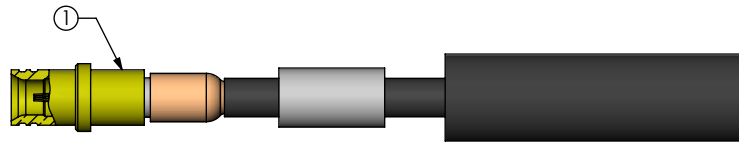
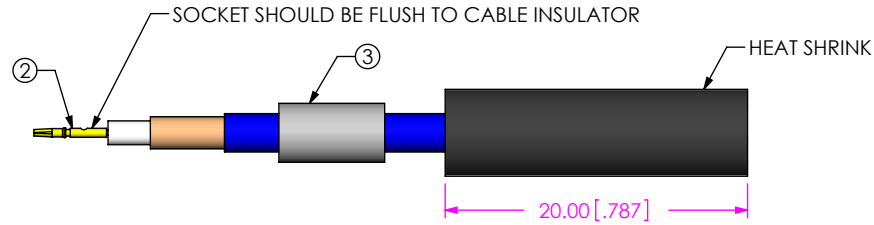
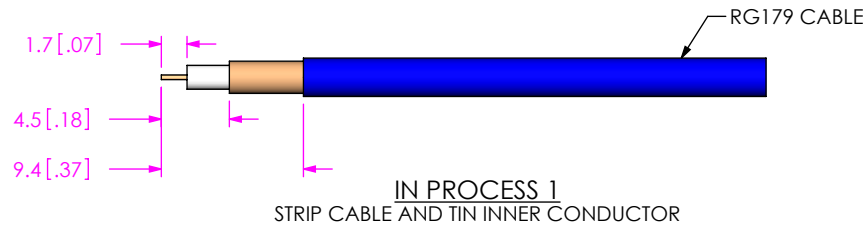


FIG 1
MMCX7-J-C-XX-ST-CA3 SHOWN

NOTES:

- NOTE DELETED.
- PRODUCT TO BE PACKAGED PER PRECISION RF SECTION OF PACKAGING MANUAL.
- NOTE DELETED..

| | | | | | | | | | | |
|--|---|--------|-----------------|----|--------------------|--|-----------------------|--|---|---|
| <p>UNLESS OTHERWISE SPECIFIED, DIMENSIONS ARE IN MILLIMETERS.</p> <p>TOLERANCES ARE:</p> <table border="0"> <tr> <td>DECIMALS</td> <td>ANGLES</td> </tr> <tr> <td>X.X: ±0.3 [.01]</td> <td>5°</td> </tr> <tr> <td>X.XX: ±0.13 [.005]</td> <td></td> </tr> <tr> <td>X.XXX: ±0.051 [.0020]</td> <td></td> </tr> </table> | DECIMALS | ANGLES | X.X: ±0.3 [.01] | 5° | X.XX: ±0.13 [.005] | | X.XXX: ±0.051 [.0020] | | <p>PROPRIETARY NOTE</p> <p>THIS DOCUMENT CONTAINS CONFIDENTIAL AND PROPRIETARY INFORMATION AND ALL DESIGN, MANUFACTURING, REPRODUCTION, USE, PATENT RIGHTS AND SALES RIGHTS ARE EXPRESSLY RESERVED BY SAMTEC, INC. THIS DOCUMENT SHALL NOT BE DISCLOSED, IN WHOLE OR PART, TO ANY UNAUTHORIZED PERSON OR ENTITY NOR REPRODUCED, TRANSFERRED OR INCORPORATED IN ANY OTHER PROJECT IN ANY MANNER WITHOUT THE EXPRESS WRITTEN CONSENT OF SAMTEC, INC.</p> | <p>520 PARK EAST BLVD, NEW ALBANY, IN 47150 PHONE: 812-944-6733 FAX: 812-948-5047 e-Mail info@SAMTEC.com code 55322</p> |
| | DECIMALS | ANGLES | | | | | | | | |
| X.X: ±0.3 [.01] | 5° | | | | | | | | | |
| X.XX: ±0.13 [.005] | | | | | | | | | | |
| X.XXX: ±0.051 [.0020] | | | | | | | | | | |
| <p>MATERIAL: DO NOT SCALE DRAWING SHEET SCALE: 6:1</p> <p>SHELL, CABLE BODY, FERRULE: BRASS SOCKET: BeCu INSULATOR: PTFE</p> | <p>DESCRIPTION: TRUE 75 OHM, MMC STRAIGHT JACK, RG179</p> <p>DWG. NO. MMCX7-J-C-XX-ST-CA3-X</p> <p>BY: ALVIN W 10/05/2011 SHEET 1 OF 3</p> | | | | | | | | | |



PROPRIETARY NOTE
THIS DOCUMENT CONTAINS CONFIDENTIAL AND PROPRIETARY INFORMATION AND ALL DESIGN, MANUFACTURING, REPRODUCTION, USE, PATENT RIGHTS AND SALES RIGHTS ARE EXPRESSLY RESERVED BY SAMTEC, INC. THIS DOCUMENT SHALL NOT BE DISCLOSED, IN WHOLE OR PART, TO ANY UNAUTHORIZED PERSON OR ENTITY NOR REPRODUCED, TRANSFERRED OR INCORPORATED IN ANY OTHER PROJECT IN ANY MANNER WITHOUT THE EXPRESS WRITTEN CONSENT OF SAMTEC, INC.



520 PARK EAST BLVD. NEW ALBANY, IN 47150
PHONE: 812-944-6733 FAX: 812-948-5047
e-Mail info@SAMTEC.com code 55322

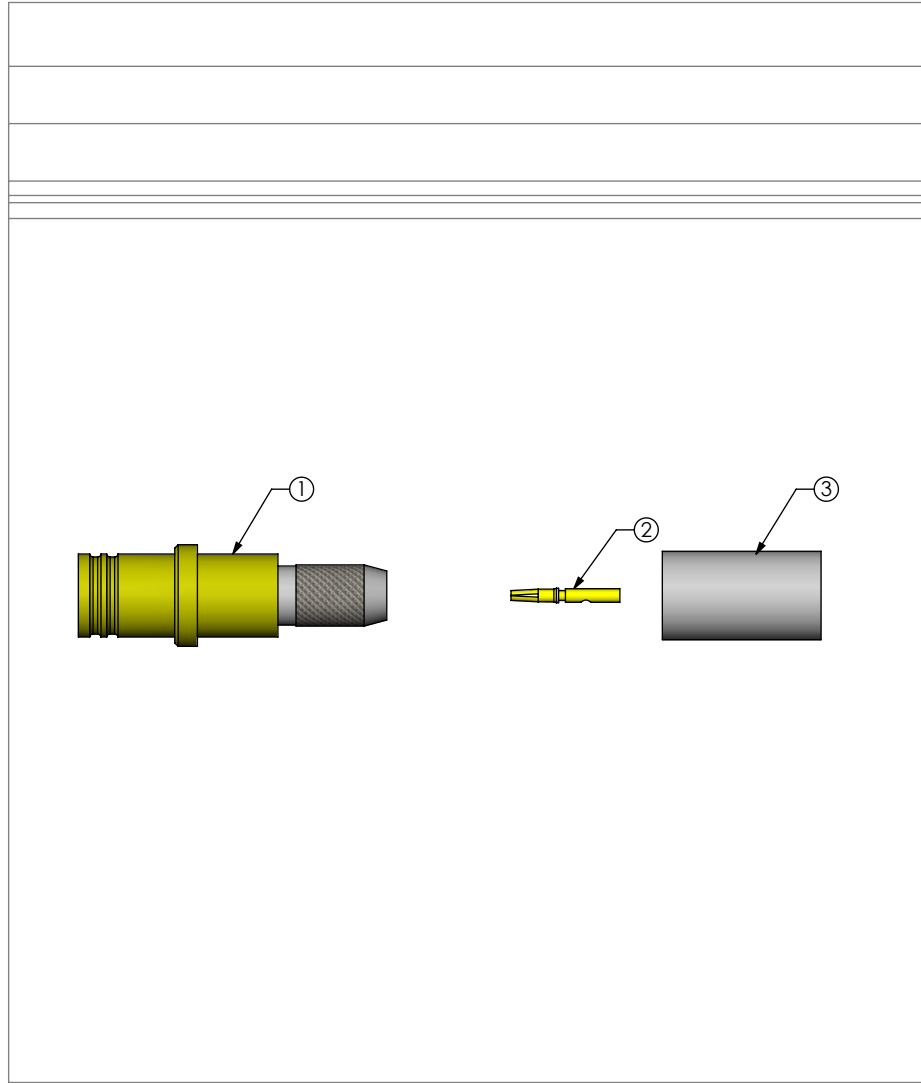
DO NOT SCALE DRAWING

SHEET SCALE: 2:1

DESCRIPTION:
TRUE 75 OHM, MMC STRAIGHT JACK, RG179

DWG. NO.
MMCX7-J-C-XX-ST-CA3-X

BY: ALVIN W 10/05/2011 SHEET 2 OF 3



MMCX7-J-C-XX-ST-CA3 SHOWN

PROPRIETARY NOTE

THIS DOCUMENT CONTAINS CONFIDENTIAL AND PROPRIETARY INFORMATION AND ALL DESIGN, MANUFACTURING, REPRODUCTION, USE, PATENT RIGHTS AND SALES RIGHTS ARE EXPRESSLY RESERVED BY SAMTEC, INC. THIS DOCUMENT SHALL NOT BE DISCLOSED, IN WHOLE OR PART, TO ANY UNAUTHORIZED PERSON OR ENTITY NOR REPRODUCED, TRANSFERRED OR INCORPORATED IN ANY OTHER PROJECT IN ANY MANNER WITHOUT THE EXPRESS WRITTEN CONSENT OF SAMTEC, INC.



520 PARK EAST BLVD, NEW ALBANY, IN 47150
 PHONE: 812-944-6733 FAX: 812-948-5047
 e-Mail info@SAMTEC.com code 55322

DO NOT SCALE DRAWING SHEET SCALE: 6:1
 INSULATOR:
 CONTACT OR TERMINAL:
 SHIELD: PHOS BRONZE
 PLATING:
 CONTACT AREA: .000010 REF GOLD
 REMAINDER: .000200 REF TIN

DESCRIPTION:
 TRUE 75 OHM, MMC STRAIGHT JACK, RG179
 DWG. NO.
MMCX7-J-C-XX-ST-CA3-X
 BY: ALVIN W 10/05/2011 SHEET 3 OF 3