

DO NOT SCALE FROM THIS PRINT

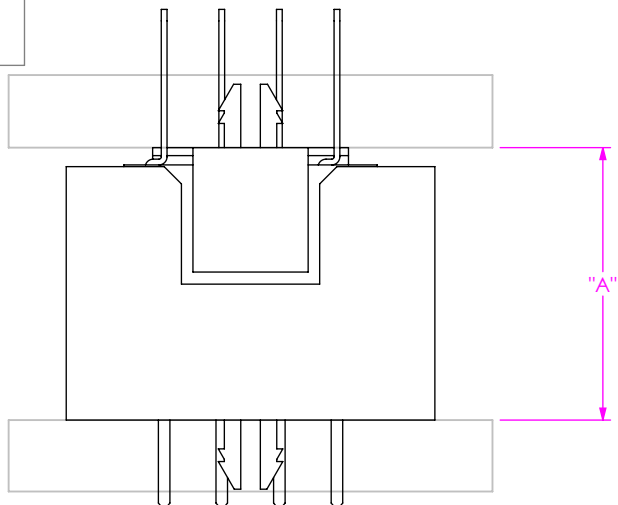


TABLE 1				
LEAD STYLE	FOLC -01		WIPE	
MOLC	"A" FULLY MATED	"A" MAX	FULLY MATED	MIN
-01	.236 [5.99]	.247 [6.27]	.026 [0.66]	.015 [0.38]
-11	.305 [7.75]	.335 [8.51]	.045 [1.14]	.015 [0.38]
-31	.450 [11.43]	.480 [12.19]	.045 [1.14]	.015 [0.38]
-61	.235 [5.97]	.265 [6.73]	.045 [1.14]	.015 [0.38]

FIG 1
MOLC -XX LEAD STYLE MATE WITH FOLC -01 LEAD STYLE

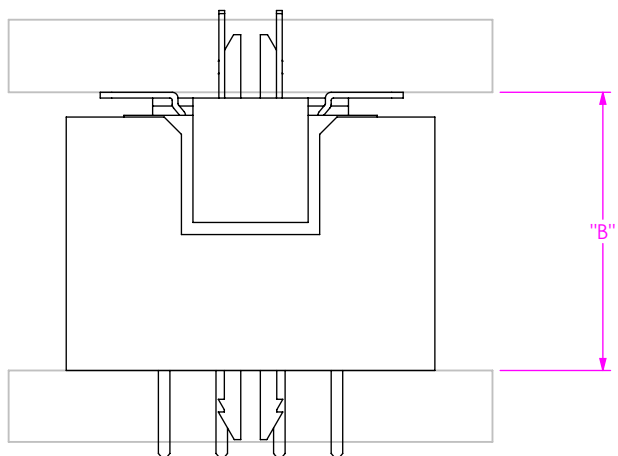


TABLE 2				
LEAD STYLE	FOLC -M1		WIPE	
MOLC	"B" FULLY MATED	"B" MAX	FULLY MATED	MIN
-01	.241 [6.12]	.267 [6.78]	.041 [1.04]	.015 [0.38]
-11	.311 [7.90]	.347 [8.81]	.051 [1.30]	.015 [0.38]
-31	.456 [11.58]	.492 [12.50]	.051 [1.30]	.015 [0.38]
-61	.235 [5.97]	.271 [6.88]	.051 [1.30]	.015 [0.38]

FIG 2
MOLC -XX LEAD STYLE MATE WITH FOLC -M1 LEAD STYLE

NOTES:

1. ALL DIMENSIONS BASED ON NOMINAL VALUES FOR SAMTEC RECOMMENDED PCB LAYOUTS.
2. ALTHOUGH MAX DIMENSIONS ARE LISTED SAMTEC RECOMMENDS FULLY MATING COMPONENTS.

PROPRIETARY NOTE
THIS DOCUMENT CONTAINS CONFIDENTIAL AND PROPRIETARY INFORMATION AND ALL DESIGN, MANUFACTURING, REPRODUCTION, USE, PATENT RIGHTS AND SALES RIGHTS ARE EXPRESSLY RESERVED BY SAMTEC, INC. THIS DOCUMENT SHALL NOT BE DISCLOSED, IN WHOLE OR PART, TO ANY UNAUTHORIZED PERSON OR ENTITY NOR REPRODUCED, TRANSFERRED OR INCORPORATED IN ANY OTHER PROJECT IN ANY MANNER WITHOUT THE EXPRESS WRITTEN CONSENT OF SAMTEC, INC.



520 PARK EAST BLVD, NEW ALBANY, IN 47150
PHONE: 812-944-6733 FAX: 812-948-5047
e-Mail info@SAMTEC.com code 55322