

DO NOT SCALE FROM THIS PRINT

DESIGNED & DIMENSIONED IN MILLIMETERS [INCHES]

NTPE-J-C-XX-ST-BH2

TABLE 1			
ITEM	COMPONENT	-HN	-GN
1	SUB ASSEMBLY	SUB-NTPE-J-C-N-ST-BH2	
2	GASKET	NTPE-GKT-001	
3	LOCK WASHER	NTPE-LWAS-001-N	
4	HEX NUT	NTPE-NUT-001-N	
5	INNER FERRULE	MCX-FER-013-N	
6	INSULATOR	BNC5-INS-003	
7	SOCKET	NTPE-J-C-H-ST-BH2-SKT	NTPE-J-C-G-ST-BH2-SKT
8	OUTER FERRULE	BNC-FER-002-N	

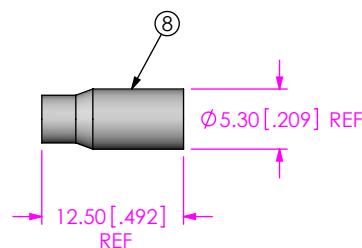
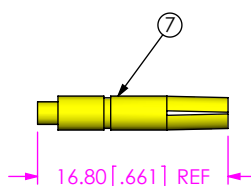
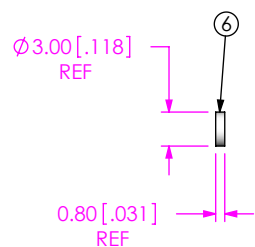
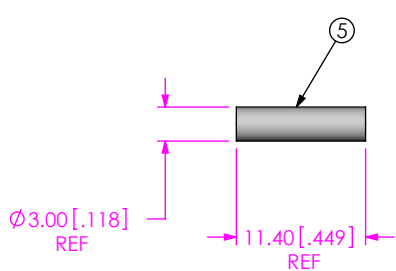
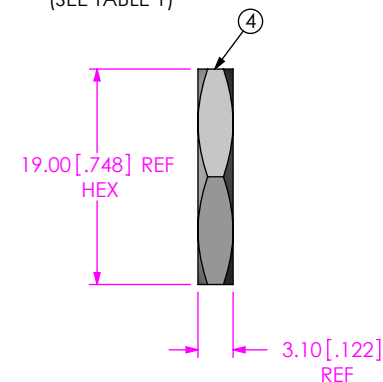
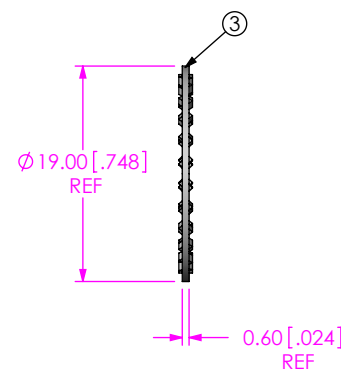
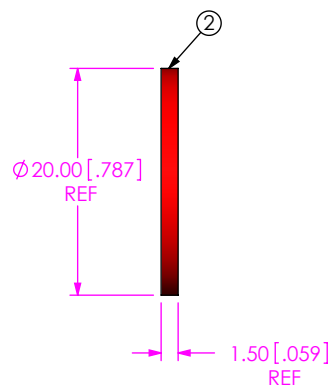
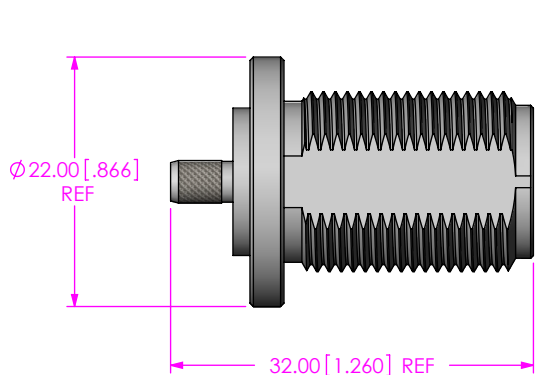
GENDER
-J: JACK

TYPE
-C: CABLE

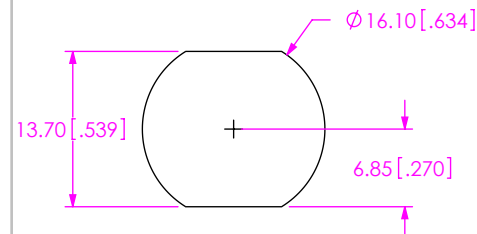
TERMINATION
-BH2: BULKHEAD
(CCA-178)

ORIENTATION
-ST: STRAIGHT

PLATING SPECIFICATION
-HN: 30μ" GOLD CENTER CONTACT,
(SEE TABLE 1, ITEM 7)
100μ" NICKEL OUTER CONTACT
(SEE TABLE 1, ITEM 1, 3, 4, 5, 8)
-GN: 10μ" GOLD CENTER CONTACT,
(SEE TABLE 1, ITEM 7)
100μ" NICKEL OUTER CONTACT
(SEE TABLE 1, ITEM 1, 3, 4, 5, 8)
(SEE TABLE 1)



RECOMMENDED MOUNTING HOLE
7.50 [.295] MAX PANEL THICKNESS



NOTES:

- NOTE DELETED.
- PRODUCT TO BE BULK PACKAGED PER PACKAGING STANDARD CO-RF-WI-3040-M.
- NOTE DELETED.

UNLESS OTHERWISE SPECIFIED,
DIMENSIONS ARE IN MILLIMETERS.

TOLERANCES ARE:

DÉCIMALS ANGLES
X.X: ±0.3 [.01] 5°
X.XX: ±0.13 [.005]
X.XXX: ±0.051 [.0020]

PROPRIETARY NOTE

THIS DOCUMENT CONTAINS CONFIDENTIAL AND PROPRIETARY INFORMATION AND ALL DESIGN, MANUFACTURING, REPRODUCTION, USE, PATENT RIGHTS AND SALES RIGHTS ARE EXPRESSLY RESERVED BY SAMTEC, INC. THIS DOCUMENT SHALL NOT BE DISCLOSED, IN WHOLE OR PART, TO ANY UNAUTHORIZED PERSON OR ENTITY NOR REPRODUCED, TRANSFERRED OR INCORPORATED IN ANY OTHER PROJECT IN ANY MANNER WITHOUT THE EXPRESS WRITTEN CONSENT OF SAMTEC, INC.

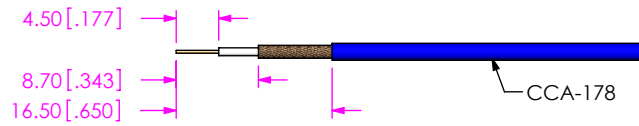
MATERIAL: DO NOT SCALE DRAWING SHEET SCALE: 3:2

FERRULES,NUT,WASHER: BRASS
SOCKET: PHOS BRONZE
INSULATOR: PTFE
GASKET: SILICONE

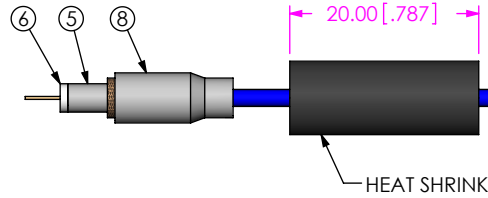
DESCRIPTION:
50 OHM, N TYPE STRAIGHT BULKHEAD CABLE JACK, RG178

DWG. NO.
NTPE-J-C-XX-ST-BH2

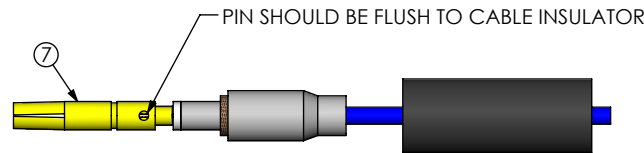
BY: EMMA CHEN 09/23/2011 SHEET 1 OF 2



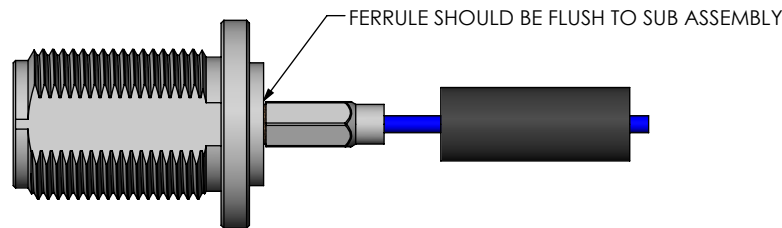
IN-PROCESS 1
STRIP CABLE AND TIN INNER CONDUCTOR



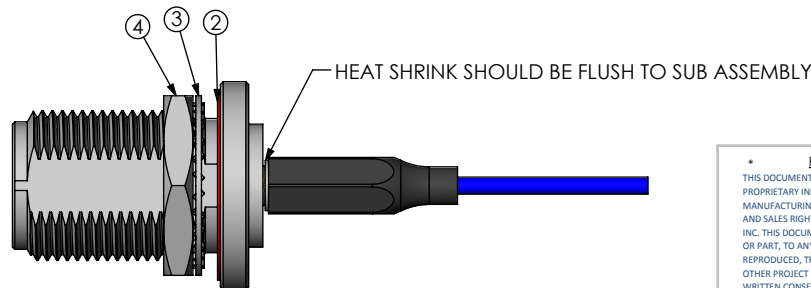
IN-PROCESS 2
ADD HEAT SHRINK TUBING AND OUTER FERRULE
FLARE SHIELD, ADD INNER FERRULE & INSULATOR



IN-PROCESS 3
SOLDER SIGNAL SOCKET



IN-PROCESS 4
ADD SUB ASSEMBLY
(FLARE SHIELD, TORQUE TO 30 INCH LBS)
CRIMP FERRULE
(USE RF CRIMP
HAND TOOL #CAT-RF-FER-001)
(USE .178" HEX DIE)



IN-PROCESS 5
ACTIVATE HEAT SHRINK TUBING & ADD GASKET

PROPRIETARY NOTE
* THIS DOCUMENT CONTAINS CONFIDENTIAL AND PROPRIETARY INFORMATION AND ALL DESIGN, MANUFACTURING, REPRODUCTION, USE, PATENT RIGHTS AND SALES RIGHTS ARE EXPRESSLY RESERVED BY SAMTEC, INC. THIS DOCUMENT SHALL NOT BE DISCLOSED, IN WHOLE OR PART, TO ANY UNAUTHORIZED PERSON OR ENTITY NOR REPRODUCED, TRANSFERRED OR INCORPORATED IN ANY OTHER PROJECT IN ANY MANNER WITHOUT THE EXPRESS WRITTEN CONSENT OF SAMTEC, INC. *

DO NOT SCALE DRAWING

SHEET SCALE: 5:4



520 PARK EAST BLVD, NEW ALBANY, IN 47150
PHONE: 812-944-6733 FAX: 812-948-5047

DESCRIPTION:
50 OHM, N TYPE STRAIGHT BULKHEAD CABLE JACK, RG178

DWG. NO. NTPE-J-C-XX-ST-BH2

BY: EMMA CHEN 09/23/2011 SHEET 2 OF 2