

DESIGNED & DIMENSIONED
IN INCHES[MILLIMETERS]

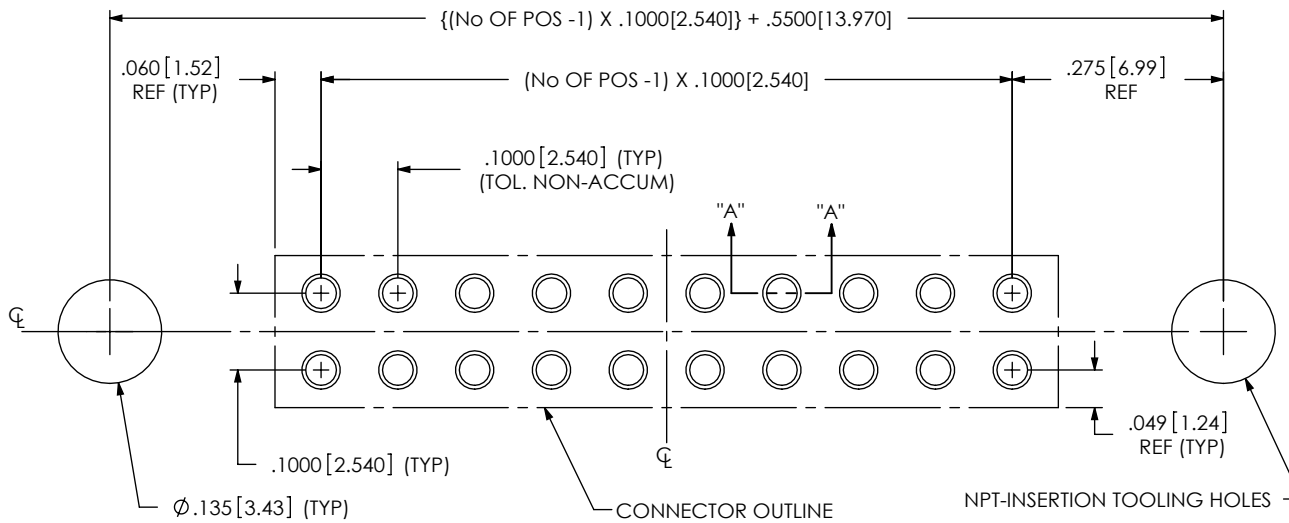
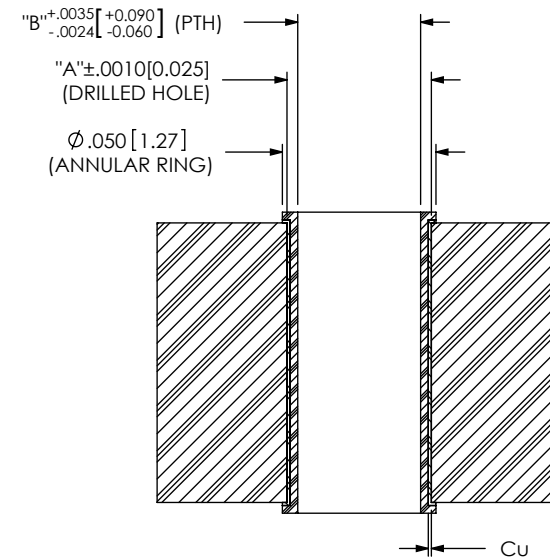


FIG. 1
DOUBLE ROW
(-10 POSITION SHOWN)



SECTION "A"-"A"
SCALE 16 : 1

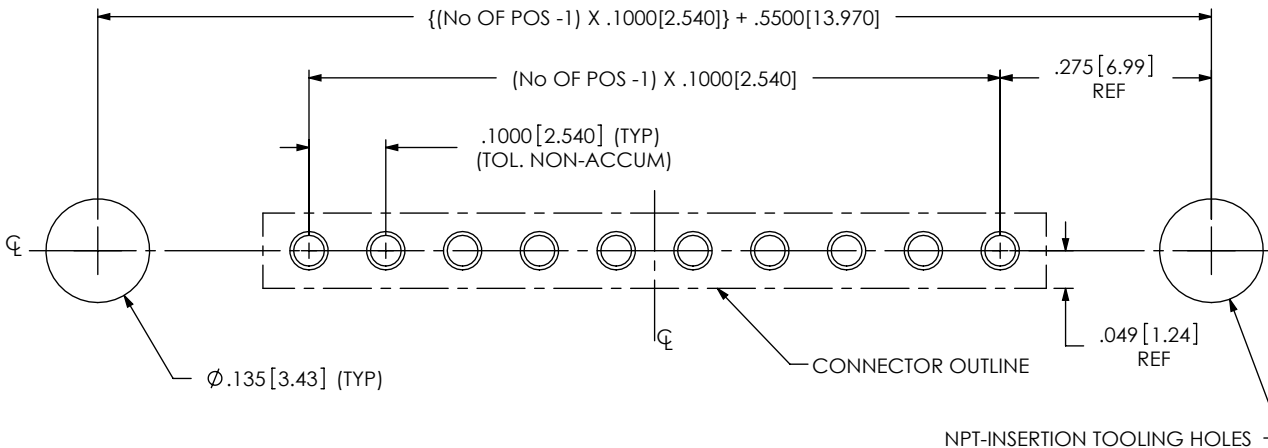


FIG. 2
SINGLE ROW
(-10 POSITION SHOWN)
(SAME AS FIG. 1, EXCEPT AS SHOWN)

TABLE 1		
TIN	"A" (DRILED HOLE)	.045[1.14]
	Cu	.001[0.03] MIN
	Sn	.0004[0.01] MIN
	"B"	.0390[0.991]
GOLD	"A" (DRILED HOLE)	.045[1.14]
	Cu	.001[0.03] MIN
	Ni	.00012[0.003]
	Au	.000003[.00076] MIN
SILVER	"B"	.0390[0.991]
	"A" (DRILED HOLE)	.045[1.14]
	Cu	.001[0.03] MIN
	Ag	0.00004[0.0010] MIN
	"B"	.0390[0.991]

NOTE:

1. ALL DIMENSIONS ARE SYMMETRICAL ABOUT CENTERLINE WITHIN .002[0.05] UNLESS OTHERWISE STATED.

F:\DWG\MISC\Mktg\Footprint\PHF-1XX-XX-X-X-XXX-FOOTPRINT.SLDDRW

PROPRIETARY NOTE

THIS DOCUMENT CONTAINS INFORMATION CONFIDENTIAL AND PROPRIETARY TO SAMTEC, INC. AND SHALL NOT BE REPRODUCED OR TRANSFERRED TO OTHER DOCUMENTS OR DISCLOSED TO OTHERS OR USED FOR ANY PURPOSE OTHER THAN THAT WHICH IT WAS OBTAINED WITHOUT THE EXPRESSED WRITTEN CONSENT OF SAMTEC, INC.



520 PARK EAST BLVD, NEW ALBANY, IN 47150
PHONE: 812-944-6733 FAX: 812-948-5047
e-Mail: info@SAMTEC.com code: 55322