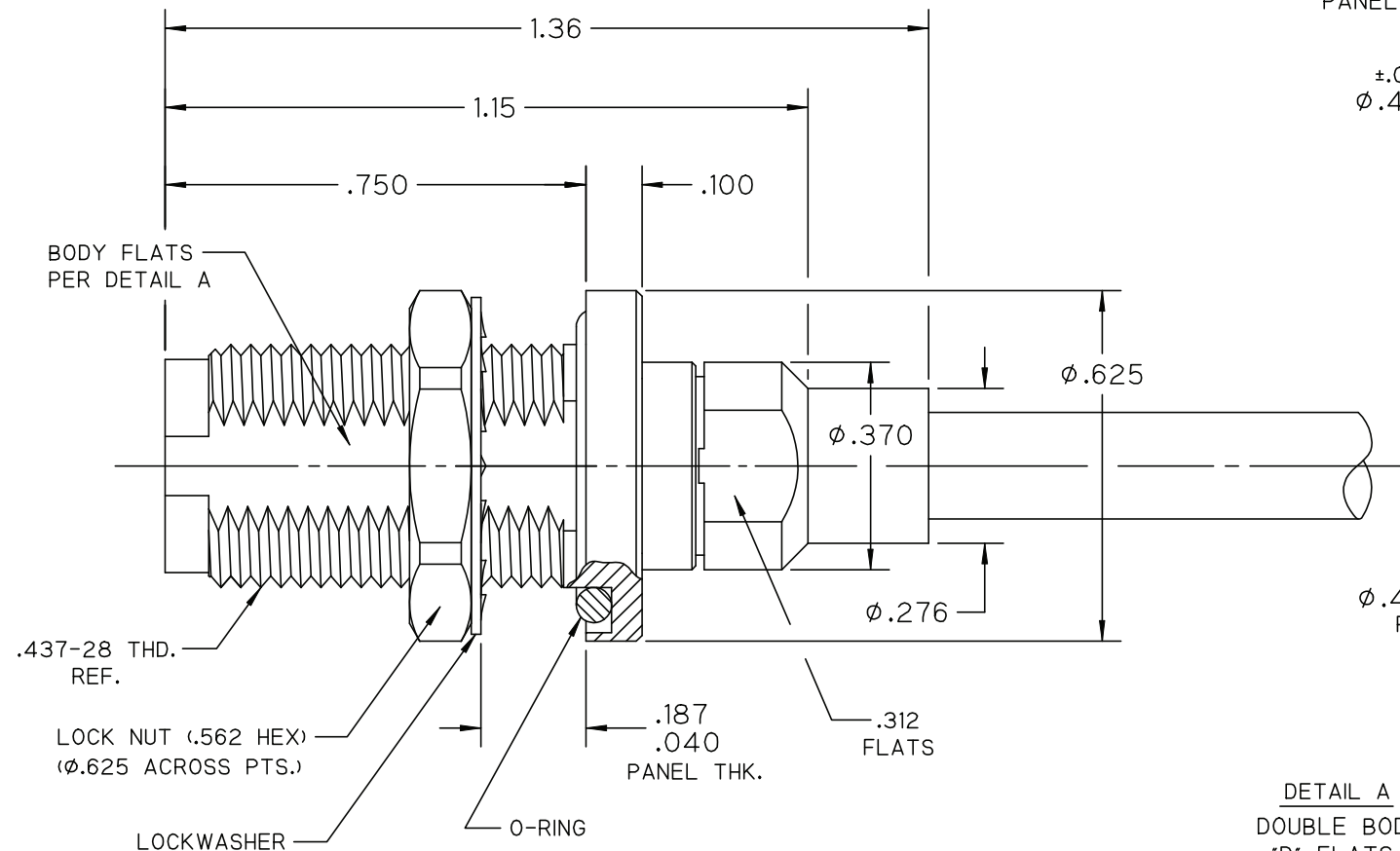


***** THIS DRAWING AND ITS CONTENTS ARE THE SOLE PROPERTY OF PRECISION CONNECTOR INC. AND ARE SUBJECT TO CHANGE WITHOUT NOTICE UNLESS OTHERWISE SPECIFIED *****

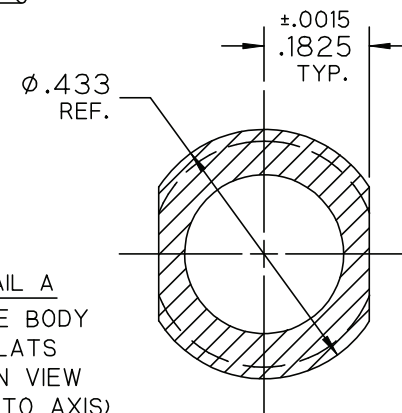
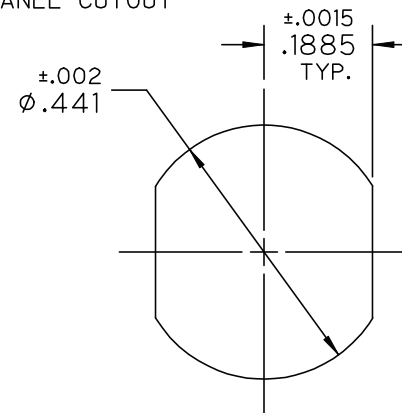
REV.	DESCRIPTION	DATE	BY	APPVD
A	INITIAL RELEASE	01/13/09	MJK	MJK
B	ADDED MAT'L & FINISH NOTES (SHEET 2)	01/20/09	MJK	MJK
C	TNCA INTERFACE WAS TNC	02/04/09	MJK	MJK

NOTES :

1. TNCA JACK INTERFACE PER MIL-STD-348, FIGURE 313-4.
2. MOUNTING HOLE AND BODY "D" FLAT MEET MIL-PRF-39012/31B EXCEPT CONFIGURATION IS DOUBLE "D".



RECOMMENDED PANEL CUTOUT



TOLERANCES UNLESS OTHERWISE SPECIFIED		DRAWN BY: MJK		DESCRIPTION: TNCA BULKHEAD JACK, SOLDER CLAMP FOR HARBOUR LL142 CABLE			
.XX	$\pm .02$	DATE: 01/13/09		CAGE CODE	SCALE	SHEET NO.	ASSEMBLY NUMBER
.XXX	$\pm .005$			4MJR5	3:1	1 OF 2	3281-0L
.XXXX	$\pm .0005$						REV
ANGLES	$\pm 2^\circ$						C

***** THIS DRAWING AND ITS CONTENTS ARE THE SOLE PROPERTY OF PRECISION CONNECTOR INC. AND ARE SUBJECT TO CHANGE WITHOUT NOTICE UNLESS OTHERWISE SPECIFIED *****

REV.	DESCRIPTION	DATE	BY	APPVD
A	INITIAL RELEASE	01/13/09	MJK	MJK
B	ADDED MAT'L & FINISH NOTES (SHEET 2)	01/20/09	MJK	MJK
C	TNCA INTERFACE WAS TNC	02/04/09	MJK	MJK

NOTES :

1.0 MATERIALS:

- 1.1 BODY, CLAMP NUT & LOCK NUT: STEEL, CORROSION RESISTANT PER ASTM-A582, UNS NO. S30300.
- 1.2 LOCKWASHER: STEEL, CORROSION RESISTANT PER ASTM-A313, UNS NO. S30200.
- 1.3 CENTER COND.: BERYLLIUM COPPER PER ASTM-B196, UNS C17300.
- 1.4 SOLDER FERRULE: BRASS PER ASTM-B16, UNS C36000.
- 1.5 O-RING(S): SILICONE RUBBER PER A-A-59588.
- 1.6 DIELECTRIC BEAD: POLYETHERIMIDE THERMOPLASTIC (ULTEM 1000) PER ASTM-D5205.

2.0 FINISHES:

- 2.1 BODY, LOCKWASHER, CLAMP NUT & LOCK NUT: PASSIVATE PER SAE-AMS-2700.
- 2.2 CENTER CONTACT & SOLDER FERRULE: GOLD PLATE PER ASTM-B488, 50 MICROINCHES MIN. THK. OVER ELECTROLYTIC NICKEL PLATE PER ASTM-B689, 50 MICROINCHES MIN. THK.
- 2.3 O-RING(S), INSULATOR & DIELECTRIC BEAD: NONE.



TOLERANCES UNLESS OTHERWISE SPECIFIED		DRAWN BY: MJK		DESCRIPTION TNCA BULKHEAD JACK, SOLDER CLAMP FOR HARBOUR LL142 CABLE				
.XX	± .02	DATE: 01/13/09		CAGE CODE	SCALE	SHEET NO.	ASSEMBLY NUMBER	REV
.XXX	± .005	4MJR5		3:1	2 OF 2	3281-0L	C	
.XXXX	± .0005							
ANGLES	± 2°							