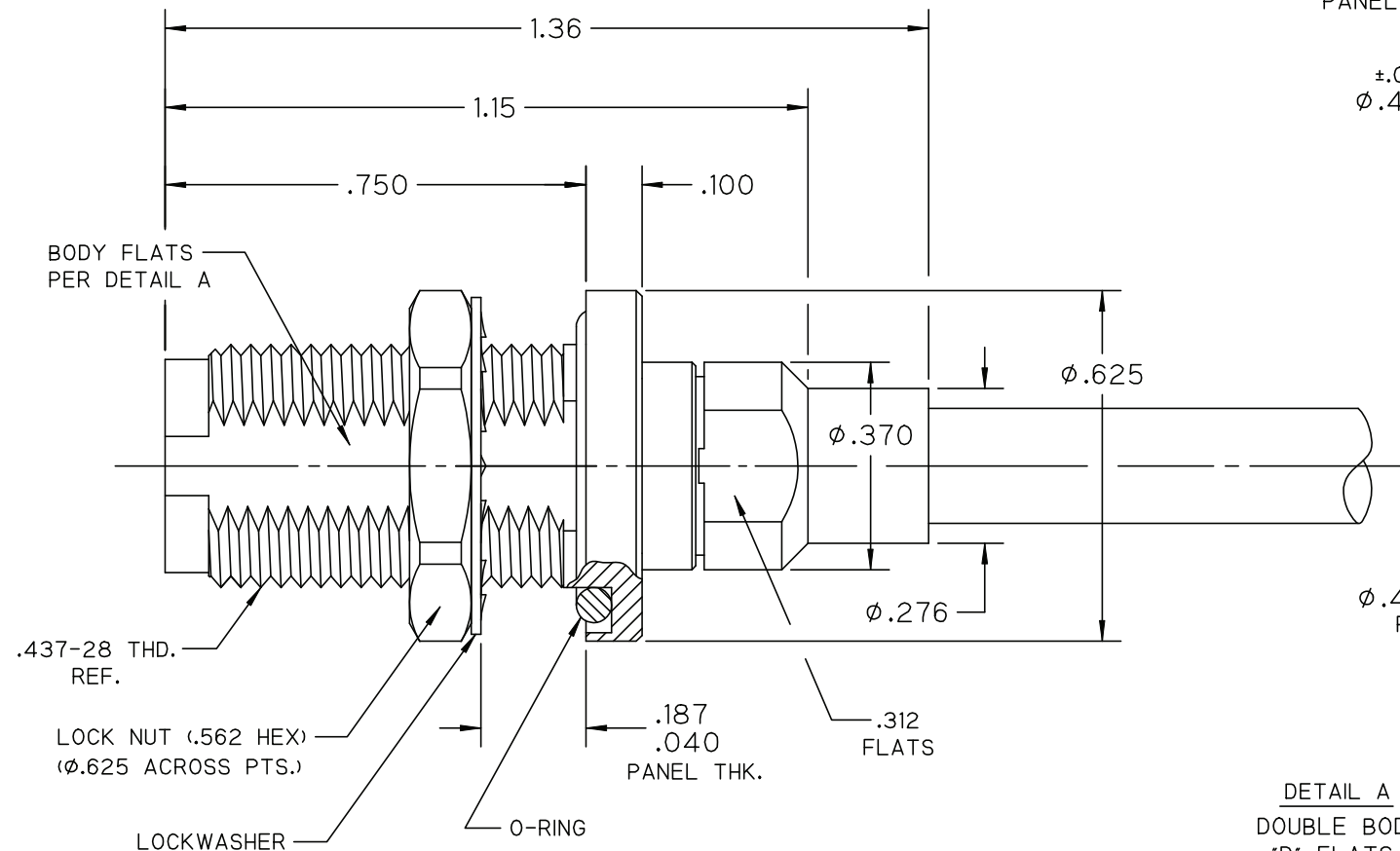


\*\*\*\*\* THIS DRAWING AND ITS CONTENTS ARE THE SOLE PROPERTY OF PRECISION CONNECTOR INC. AND ARE SUBJECT TO CHANGE WITHOUT NOTICE UNLESS OTHERWISE SPECIFIED \*\*\*\*\*

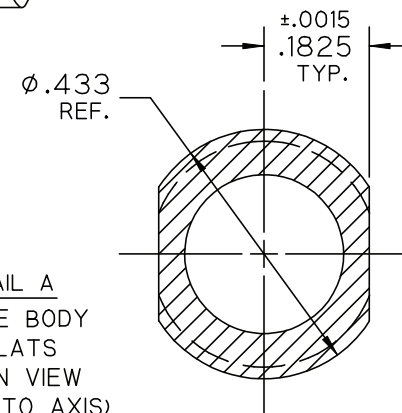
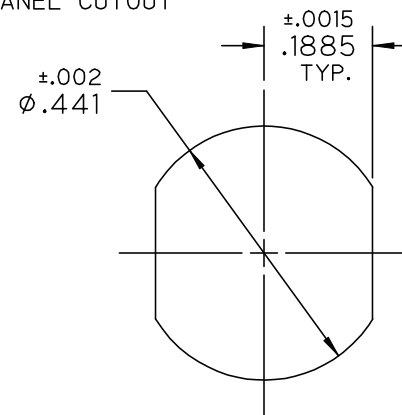
REV.	DESCRIPTION	DATE	BY	APPVD
A	INITIAL RELEASE	05/19/10	RDE	MJK

**NOTES :**

1. TNCA JACK INTERFACE PER MIL-STD-348, FIGURE 313-4.
2. MOUNTING HOLE AND BODY "D" FLAT MEET MIL-PRF-39012/31B EXCEPT CONFIGURATION IS DOUBLE "D".



**RECOMMENDED PANEL CUTOUT**



**DETAIL A**  
DOUBLE BODY  
"D" FLATS  
(SECTION VIEW  
PERP. TO AXIS)



TOLERANCES UNLESS OTHERWISE SPECIFIED		DRAWN BY: RDE		DESCRIPTION: TNCA BULKHEAD JACK, SOLDER CLAMP FOR SEMFLEX HP190 CABLE		
.XX	± .02	DATE: 05/19/10		CAGE CODE	SCALE	SHEET NO.
.XXX	± .005	4MJR5		3:1	1 OF 2	ASSEMBLY NUMBER
.XXXX	± .0005					3305-0L
ANGLES	± 2°					REV
						A

\*\*\*\*\* THIS DRAWING AND ITS CONTENTS ARE THE SOLE PROPERTY OF PRECISION CONNECTOR INC. AND ARE SUBJECT TO CHANGE WITHOUT NOTICE UNLESS OTHERWISE SPECIFIED \*\*\*\*\*

REV.	DESCRIPTION	DATE	BY	APPVD
A	INITIAL RELEASE	05/19/10	RDE	MJK

NOTES :

1.0 MATERIALS:

- 1.1 BODY, CLAMP NUT & LOCK NUT: STEEL, CORROSION RESISTANT PER ASTM-A582, UNS NO. S30300.
- 1.2 LOCKWASHER: STEEL, CORROSION RESISTANT PER ASTM-A313, UNS NO. S30200.
- 1.3 CENTER COND.: BERYLLIUM COPPER PER ASTM-B196, UNS C17300.
- 1.4 SOLDER FERRULE: BRASS PER ASTM-B16, UNS C36000.
- 1.5 O-RING(S): SILICONE RUBBER PER A-A-59588.
- 1.6 DIELECTRIC BEAD: POLYETHERIMIDE THERMOPLASTIC (ULTEM 1000) PER ASTM-D5205.

2.0 FINISHES:

- 2.1 BODY, LOCKWASHER, CLAMP NUT & LOCK NUT: PASSIVATE PER SAE-AMS-2700.
- 2.2 CENTER CONTACT & SOLDER FERRULE: GOLD PLATE PER ASTM-B488, 50 MICROINCHES MIN. THK. OVER ELECTROLYTIC NICKEL PLATE PER ASTM-B689, 50 MICROINCHES MIN. THK.
- 2.3 O-RING(S), INSULATOR & DIELECTRIC BEAD: NONE.

3.0 ELECTRICAL CHARACTERISTICS :

FREQUENCY RANGE : DC TO 18 GHz  
 INSERTION LOSS : .06 X SQRT(Fghz)  
 VSWR : 1.12:1 MAX. DC TO 12.4 GHz  
 1.16:1 MAX. 12.4 TO 18 GHz



TOLERANCES UNLESS OTHERWISE SPECIFIED		DRAWN BY: RDE		DESCRIPTION TNCA BULKHEAD JACK, SOLDER CLAMP FOR SEMFLEX HP190 CABLE				
.XX	± .02	DATE: 05/19/10		CAGE CODE	SCALE	SHEET NO.	ASSEMBLY NUMBER	REV
.XXX	± .005	4MJR5		3:1	2 OF 2	3305-0L	A	
.XXXX	± .0005							
ANGLES	± 2°							