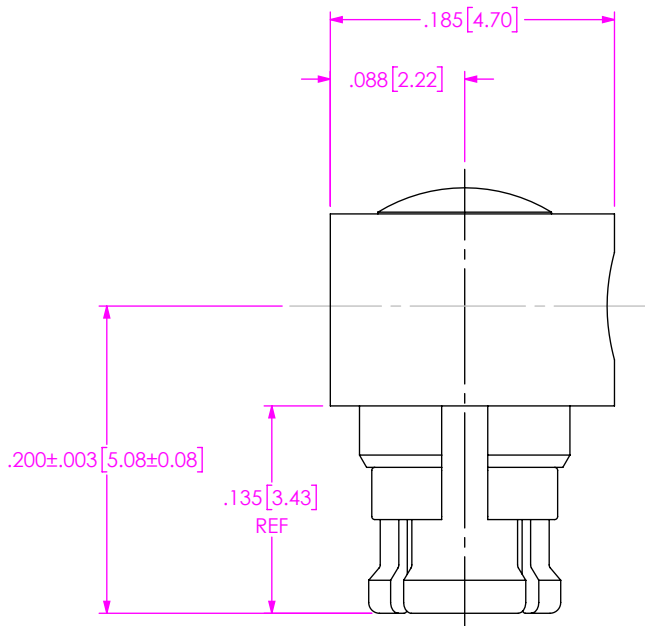


DO NOT SCALE FROM THIS PRINT



DESIGNED & DIMENSIONED IN INCHES

PRF00-J-C-EE-047A-RD

SERIES
-00: SMP

GENDER
-J: JACK

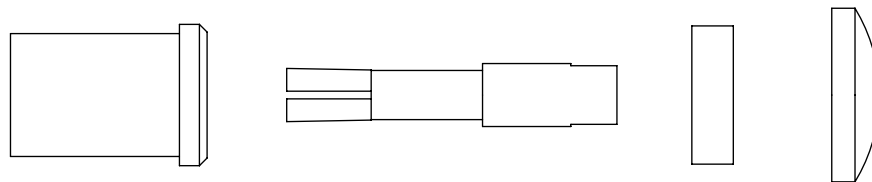
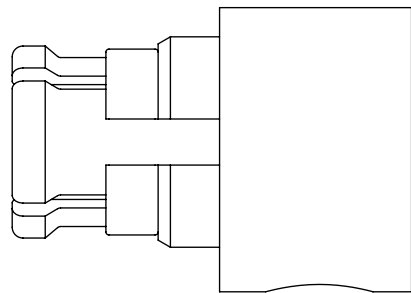
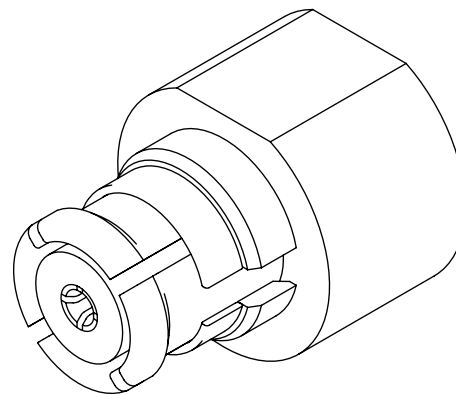
TYPE
-C: CABLE

TERMINATION
-D: DIRECT SOLDER

ORIENTATION
-R: RIGHT ANGLE

CABLE TYPE
-047A: TEMP FLEX 1000671047

FINISH
-EE: 50μ" EXTRA HEAVY GOLD CENTER CONTACT, 50μ" EXTRA HEAVY GOLD OUTER CONTACT



EXPLODED VIEW
NOT TO SCALE
(FOR CLARITY ONLY)

- NOTES:
- MATERIALS:
BODY, CONTACT, EMI RING, ANTI-ROCK RING: BERYLLIUM COPPER
SOLDER FERRULE, END CAP: BRASS ALLOY
INSULATOR, BEAD: PTFE
 - FINISH:
BODY, CONTACT, EMI RING, ANTI-ROCK RING, SOLDER FERRULE,
END CAP: 50μ" GOLD OVER 50μ" NICKEL PLATE
 - PCI P/N: 3756.

F:\DWG\MISC\MKTG\PRF00-J-C-EE-047A-RD-MKT.SLDDRW

UNLESS OTHERWISE SPECIFIED, DIMENSIONS ARE IN INCHES.

TOLERANCES ARE:
DECIMALS ANGLES
.XX: ±.01 [0.3] 1°
.XXX: ±.005 [0.13]
.XXXX: ±.0005 [0.013]

PROPRIETARY NOTE
THIS DOCUMENT CONTAINS CONFIDENTIAL AND PROPRIETARY INFORMATION AND ALL DESIGN, MANUFACTURING, REPRODUCTION, USE, PATENT RIGHTS AND SALES RIGHTS ARE EXPRESSLY RESERVED BY SAMTEC, INC. THIS DOCUMENT SHALL NOT BE DISCLOSED, IN WHOLE OR PART, TO ANY UNAUTHORIZED PERSON OR ENTITY NOR REPRODUCED, TRANSFERRED OR INCORPORATED IN ANY OTHER PROJECT IN ANY MANNER WITHOUT THE EXPRESS WRITTEN CONSENT OF SAMTEC, INC.



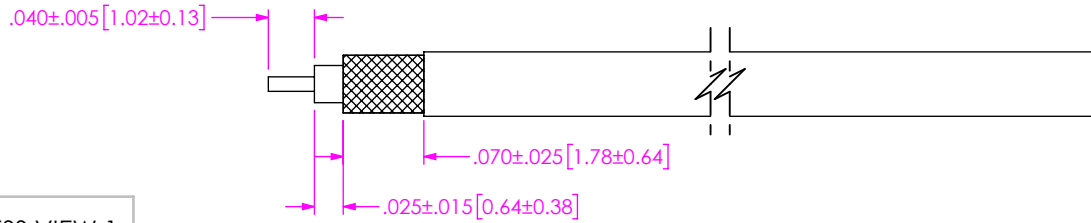
520 PARK EAST BLVD, NEW ALBANY, IN 47150
PHONE: 812-944-6733 FAX: 812-948-5047
e-Mail info@SAMTEC.com code 55322

DO NOT SCALE DRAWING SHEET SCALE: 8:1

DESCRIPTION: SMP SOCKET, MITER RT. ANGLE, DIRECT SOLDER FOR TEMP-FLEX 1000671047 CABLE

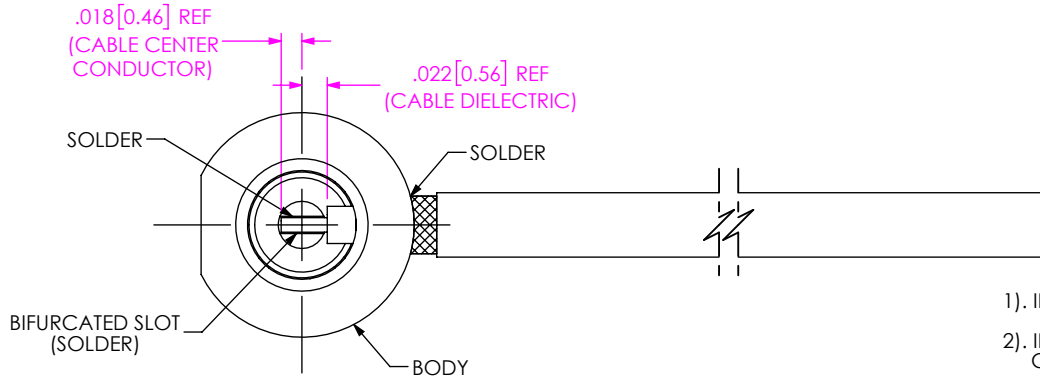
DWG. NO. PRF00-J-C-EE-047A-RD

BY: JERRY SU 04/06/2019 SHEET 1 OF 2



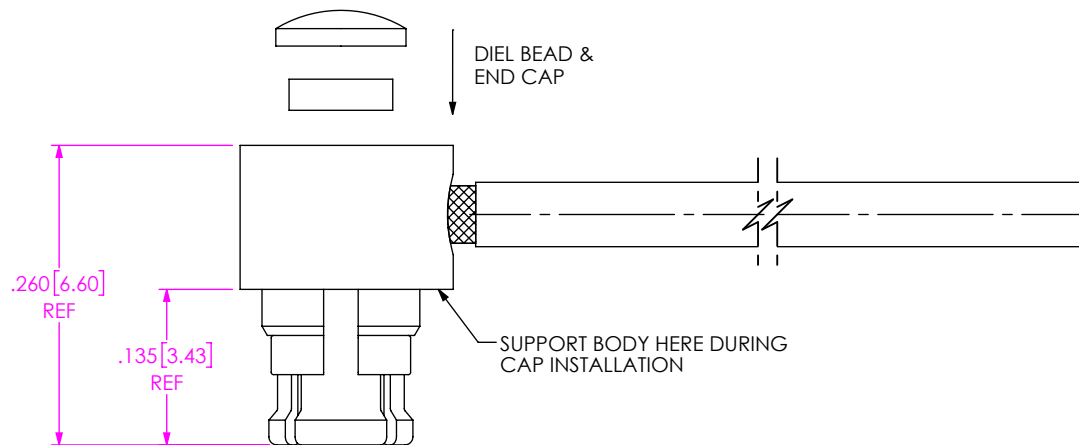
IN-PROCESS VIEW 1

1). TRIM CABLE TO EXPOSE CENTER CONDUCTOR BRAIDS AS SHOWN.



IN-PROCESS VIEW 2

- 1). INSERT INSULATOR & CONTACT INTO BODY (ORIENT CONTACT SLOT AS SHOWN).
- 2). INSERT CABLE INTO BODY UNTIL DIELECTRIC CORE IS FULLY SEATED. SOLDER CABLE BRAIDS TO BODY WHERE SHOWN.
- 3). SOLDER CABLE CENTER CONDUCTOR TO CONTACT SLOT COMPLETELY FILLING SLOT BUT MINIMIZING EXCESS FLOW ONTO CONTACT OUTER SURFACE.



IN-PROCESS VIEW 3

- 1). INSTALL TFE DIELECTRIC BEAD AND END CAP INTO BODY COUNTERBORE AND PRESS CAP FLUSH TO BODY USING A FLAT TOOL OR VICE WITH BODY SHOULDER RESTING AGAINST A FLAT, PARALLEL SURFACE.
- 2). INSPECT CONNECTOR CONTACT AND INSULATOR INTERFACE DIMENSIONS USING THE APPROPRIATE GAGES TO VERIFY SURFACES ARE SUBFLUSH TO CONNECTOR INTERFACE WITHIN THE FOLLOWING RANGES:
CONTACT = .001/.004 SUBFLUSH; INSULATOR = .001/.003 SUBFLUSH

PROPRIETARY NOTE
 THIS DOCUMENT CONTAINS CONFIDENTIAL AND PROPRIETARY INFORMATION AND ALL DESIGN, MANUFACTURING, REPRODUCTION, USE, PATENT RIGHTS AND SALES RIGHTS ARE EXPRESSLY RESERVED BY SAMTEC, INC. THIS DOCUMENT SHALL NOT BE DISCLOSED, IN WHOLE OR PART, TO ANY UNAUTHORIZED PERSON OR ENTITY NOR REPRODUCED, TRANSFERRED OR INCORPORATED IN ANY OTHER PROJECT IN ANY MANNER WITHOUT THE EXPRESS WRITTEN CONSENT OF SAMTEC, INC.



520 PARK EAST BLVD, NEW ALBANY, IN 47150
 PHONE: 812-944-6733 FAX: 812-948-5047
 e-Mail info@SAMTEC.com code 55322

DO NOT SCALE DRAWING

SHEET SCALE: 3:1

DESCRIPTION: SMP SOCKET, MITER RT. ANGLE, DIRECT SOLDER FOR TEMP-FLEX 1000671047 CABLE

DWG. NO. PRF00-J-C-EE-047A-RD

BY: JERRY SU 04/06/2019 SHEET 2 OF 2