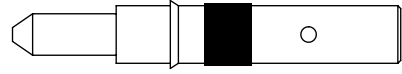
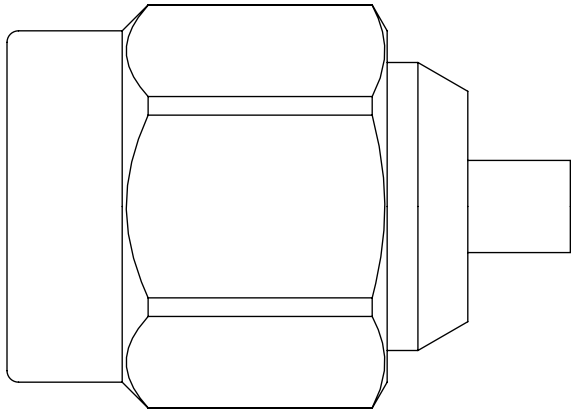
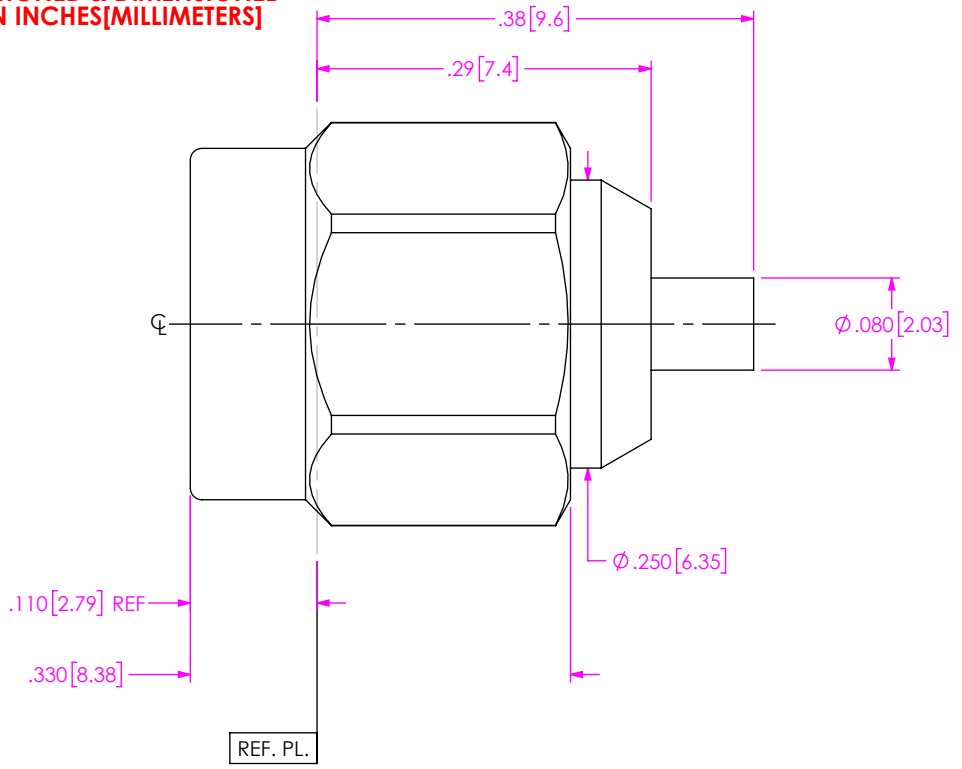


DESIGNED & DIMENSIONED
IN INCHES[MILLIMETERS]

DO NOT
SCALE FROM
THIS PRINT



EXPLODED VIEW
NOT TO SCALE
(FOR CLARITY ONLY)

PRF01-P-C-EE-047D-SD-1

SERIES
-01: SMA

GENDER
-P: PLUG

TYPE
-C: CABLE

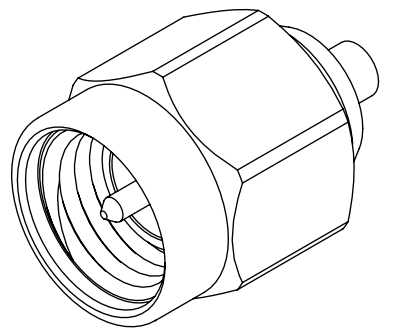
FINISH
-EE: 50μ" EXTRA HEAVY GOLD CENTER CONTACT, 50μ" EXTRA HEAVY GOLD OUTER CONTACT

OPTION
-1

TERMINATION
-D: DIRECT SOLDER

ORIENTATION
-S: STRAIGHT

TERMINATION
-047D: .047" SEMI-RIGID CABLE



NOTES:

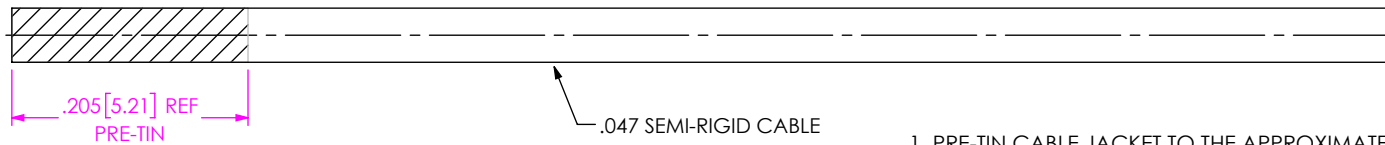
- MATERIAL:**
BODY, COUPLING NUT: BRASS ALLOY
CONTACT, LOCK RING: BERYLLIUM COPPER
INSULATOR: PTFE
GASKET: SILICONE RUBBER
- FINISH:**
COUPLING NUT: 50μ"-100μ" SULFAMATE NICKEL PLATE.
BODY, CONTACT: 50μ" MIN. GOLD OVER 50μ" MIN. ELECTROLYTIC NICKEL PLATE
- PCI P/N: 3793

c:\enterprisevault\DWG\MISC\MKTG\PRF01-P-C-EE-047D-SD-1-MKT.SLDDRW	
UNLESS OTHERWISE SPECIFIED, DIMENSIONS ARE IN INCHES. TOLERANCES ARE: DECIMALS ANGLES .XX: ±.02[0.5] 1° .XXX: ±.005[0.13] .XXXX: ±.0005[0.013]	<p>PROPRIETARY NOTE</p> <p>THIS DOCUMENT CONTAINS CONFIDENTIAL AND PROPRIETARY INFORMATION AND ALL DESIGN, MANUFACTURING, REPRODUCTION, USE, PATENT RIGHTS AND SALES RIGHTS ARE EXPRESSLY RESERVED BY SAMTEC, INC. THIS DOCUMENT SHALL NOT BE DISCLOSED, IN WHOLE OR PART, TO ANY UNAUTHORIZED PERSON OR ENTITY NOR REPRODUCED, TRANSFERRED OR INCORPORATED IN ANY OTHER PROJECT IN ANY MANNER WITHOUT THE EXPRESS WRITTEN CONSENT OF SAMTEC, INC.</p>
DO NOT SCALE DRAWING	SHEET SCALE: 6:1
DESCRIPTION: SMA PLUG DIRECT SOLDER FOR .047" SEMI-RIGID CABLE	
DWG. NO. PRF01-P-C-EE-047D-SD-1	
BY: CANDY W 05/18/2019	SHEET 1 OF 3



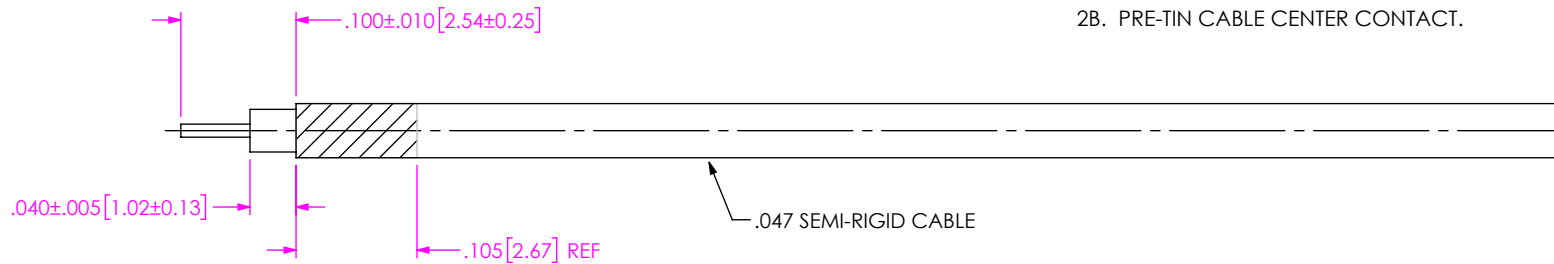
520 PARK EAST BLVD, NEW ALBANY, IN 47150
PHONE: 812-944-6733 FAX: 812-948-5047
e-Mail info@SAMTEC.com code 55322

CABLE APPLICATION VIEWS



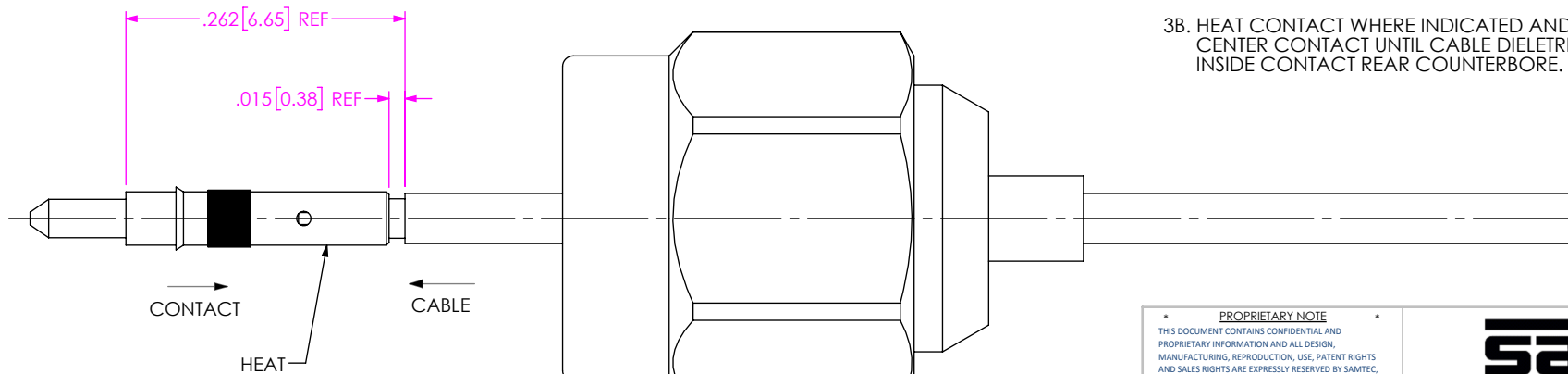
IN-PROCESS VIEW 1

1. PRE-TIN CABLE JACKET TO THE APPROXIMATE LENGTH SHOWN (OPTIONAL).



IN-PROCESS VIEW 2

2A. TRIM CABLE TO EXPOSE CENTER CONDUCTOR AND DIELECTRIC AS SHOWN.
2B. PRE-TIN CABLE CENTER CONTACT.



IN-PROCESS VIEW 3

3A. PUSH PREPARED CABLE END THROUGH CONNECTOR AS SHOWN.
3B. HEAT CONTACT WHERE INDICATED AND INSERT CABLE INTO CENTER CONTACT UNTIL CABLE DIELECTRIC FULLY BOTTOMS INSIDE CONTACT REAR COUNTERBORE.

PROPRIETARY NOTE
THIS DOCUMENT CONTAINS CONFIDENTIAL AND PROPRIETARY INFORMATION AND ALL DESIGN, MANUFACTURING, REPRODUCTION, USE, PATENT RIGHTS AND SALES RIGHTS ARE EXPRESSLY RESERVED BY SAMTEC, INC. THIS DOCUMENT SHALL NOT BE DISCLOSED, IN WHOLE OR PART, TO ANY UNAUTHORIZED PERSON OR ENTITY NOR REPRODUCED, TRANSFERRED OR INCORPORATED IN ANY OTHER PROJECT IN ANY MANNER WITHOUT THE EXPRESS WRITTEN CONSENT OF SAMTEC, INC.



520 PARK EAST BLVD, NEW ALBANY, IN 47150
PHONE: 812-944-6733 FAX: 812-948-5047
e-Mail: info@SAMTEC.com code 55322

DO NOT SCALE DRAWING

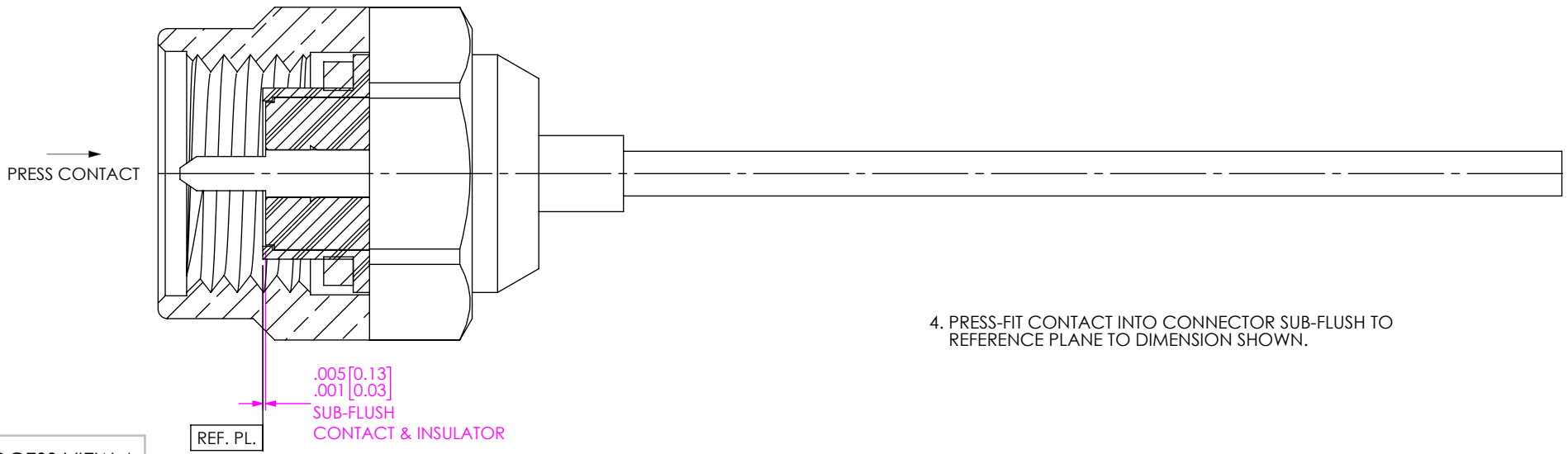
SHEET SCALE: 6:1

DESCRIPTION: SMA PLUG DIRECT SOLDER FOR .047 SEMI-RIGID CABLE

DWG. NO. PRF01-P-C-EE-047D-SD-1

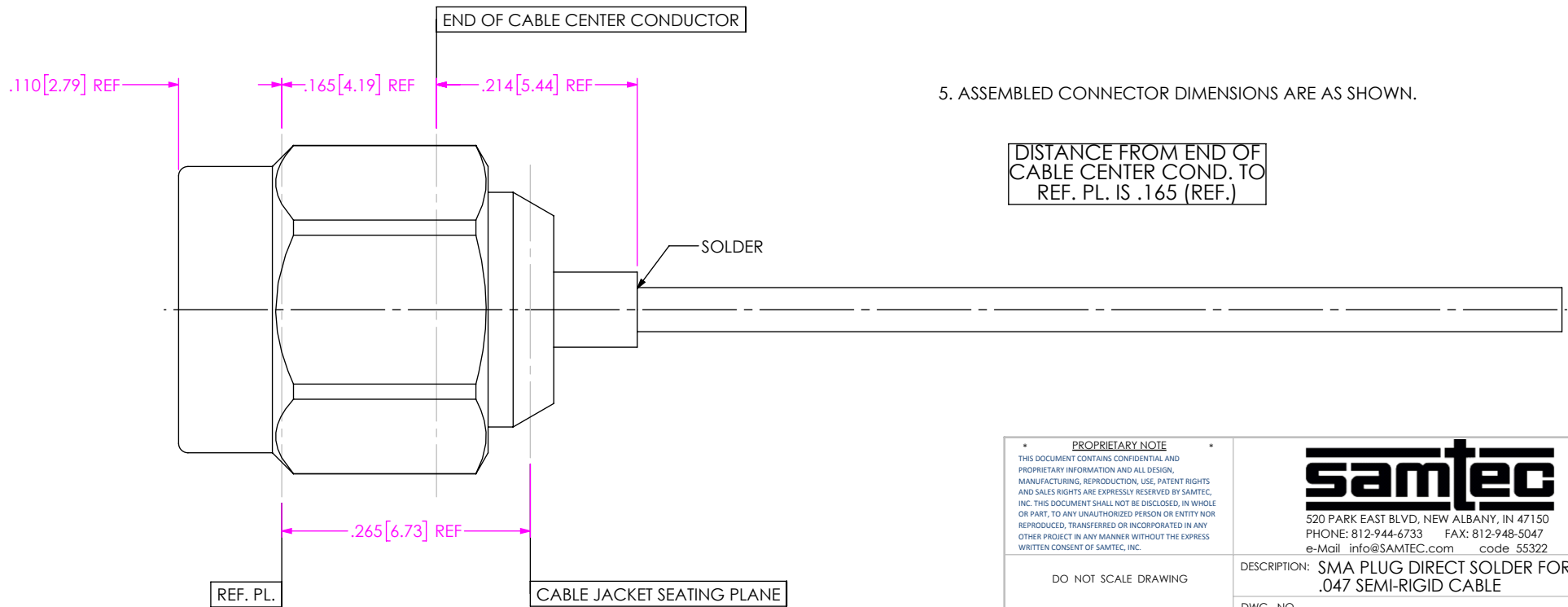
BY: CANDY W 05/18/2019 SHEET 2 OF 3

CABLE APPLICATION VIEWS



4. PRESS-FIT CONTACT INTO CONNECTOR SUB-FLUSH TO REFERENCE PLANE TO DIMENSION SHOWN.

IN-PROCESS VIEW 4



5. ASSEMBLED CONNECTOR DIMENSIONS ARE AS SHOWN.

DISTANCE FROM END OF CABLE CENTER COND. TO REF. PL. IS .165 (REF.)

IN-PROCESS VIEW 5

PROPRIETARY NOTE
 THIS DOCUMENT CONTAINS CONFIDENTIAL AND PROPRIETARY INFORMATION AND ALL DESIGN, MANUFACTURING, REPRODUCTION, USE, PATENT RIGHTS AND SALES RIGHTS ARE EXPRESSLY RESERVED BY SAMTEC, INC. THIS DOCUMENT SHALL NOT BE DISCLOSED, IN WHOLE OR PART, TO ANY UNAUTHORIZED PERSON OR ENTITY NOR REPRODUCED, TRANSFERRED OR INCORPORATED IN ANY OTHER PROJECT IN ANY MANNER WITHOUT THE EXPRESS WRITTEN CONSENT OF SAMTEC, INC.



520 PARK EAST BLVD, NEW ALBANY, IN 47150
 PHONE: 812-944-6733 FAX: 812-948-5047
 e-Mail info@SAMTEC.com code 55322

DO NOT SCALE DRAWING

SHEET SCALE: 6:1

DESCRIPTION: SMA PLUG DIRECT SOLDER FOR .047 SEMI-RIGID CABLE

DWG. NO. PRF01-P-C-EE-047D-SD-1

BY: CANDY W 05/18/2019 SHEET 3 OF 3