

DO NOT SCALE FROM THIS PRINT

DESIGNED & DIMENSIONED IN INCHES[MILLIMETERS]

PRF01-P-C-EP-160-SS

SERIES
-01: SMA

GENDER
-P: PLUG

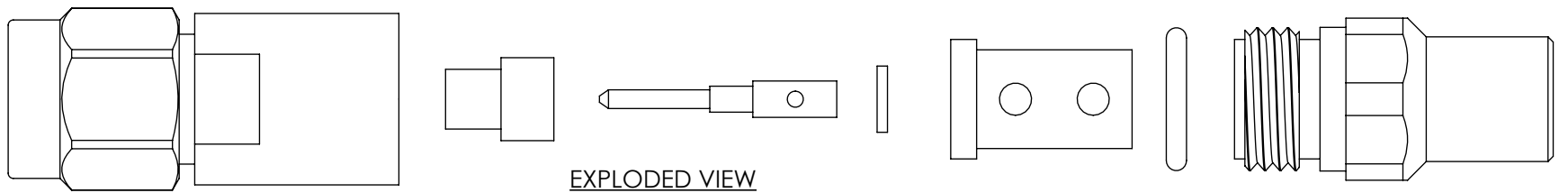
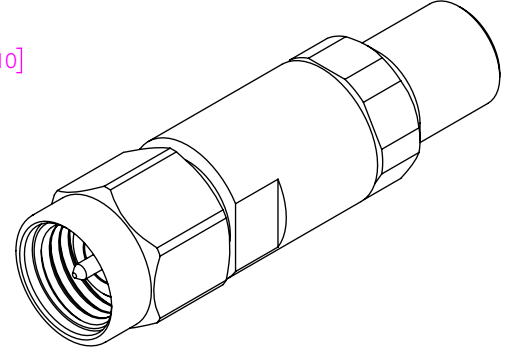
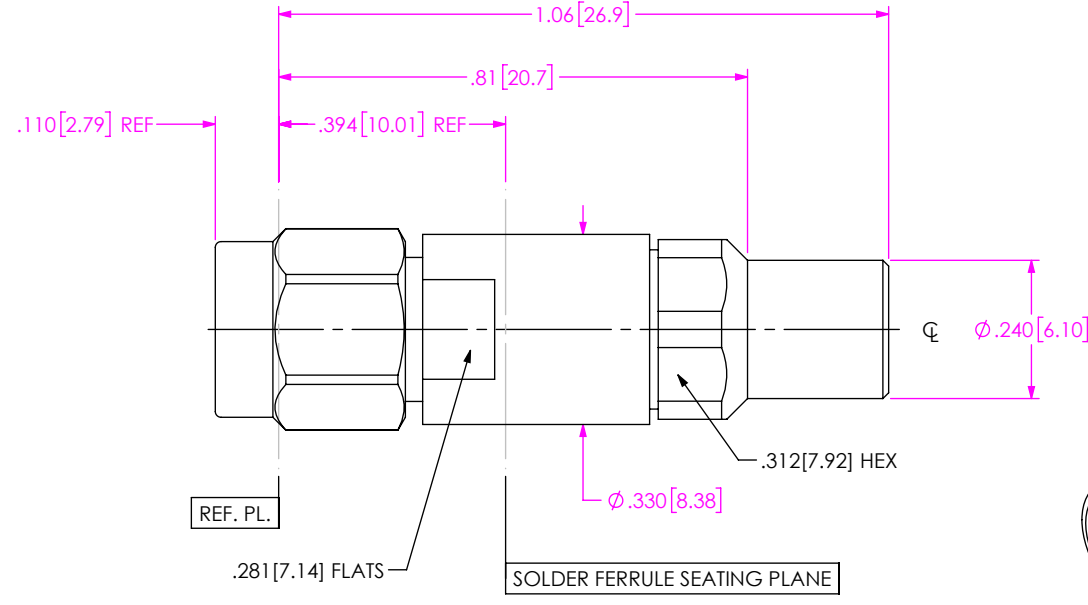
TYPE
-C: CABLE

TERMINATION
-S: SOLDER CLAMP

ORIENTATION
-S: STRAIGHT

CABLE TYPE
-160: SEMFLEX HP160

FINISH
-EP: 50µ" EXTRA HEAVY GOLD CENTER CONTACT, PASSIVATED OUTER CONTACT




EXPLODED VIEW
NOT TO SCALE
(FOR CLARITY ONLY)

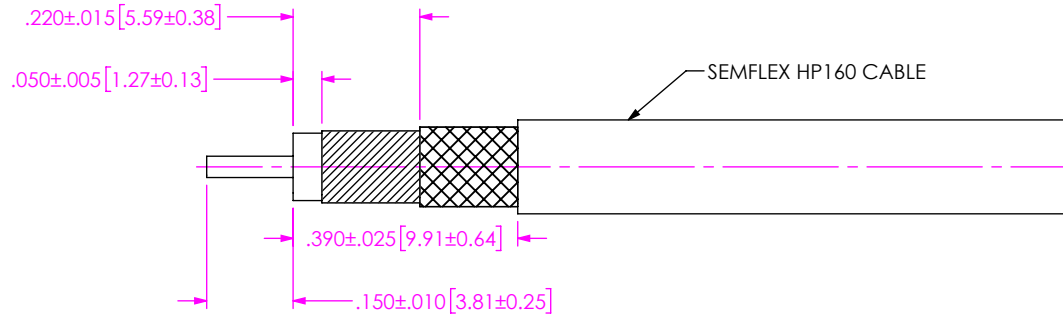
NOTES:

1. MATERIAL:
 BODY, CLAMP NUT, COUPLING NUT: STAINLESS STEEL
 CONTACT, LOCK RING: BERYLLIUM COPPER
 SOLDER FERRULE: BRASS ALLOY
 INSULATOR: PTFE
 BEAD: PEI
 O-RING, GASKET: SILICONE RUBBER
2. FINISH:
 BODY, CLAMP NUT, COUPLING NUT: PASSIVATED
 CONTACT, SOLDER FERRULE: 50µ" MIN. GOLD OVER 50µ" MIN. NICKEL PLATE
3. PCI P/N: 3313

F:\DWG\MISC\MKTG\PRF01-P-C-EP-160-SS-MKT.SLDDRW

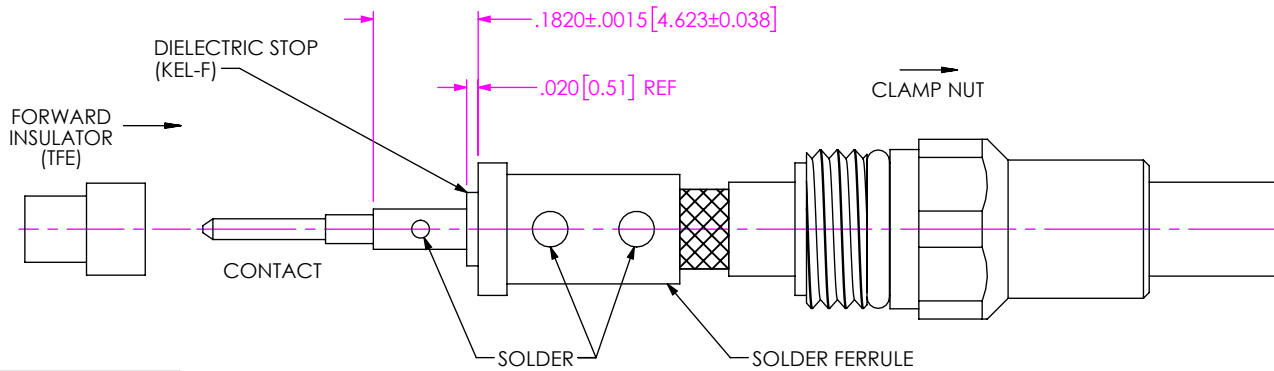
UNLESS OTHERWISE SPECIFIED, DIMENSIONS ARE IN INCHES. TOLERANCES ARE: DECIMALS ANGLES .XX: ±.01[0.3] .XXX: ±.005[0.13] .XXXX: ±.0005[0.013]	* PROPRIETARY NOTE * THIS DOCUMENT CONTAINS CONFIDENTIAL AND PROPRIETARY INFORMATION AND ALL DESIGN, MANUFACTURING, REPRODUCTION, USE, PATENT RIGHTS AND SALES RIGHTS ARE EXPRESSLY RESERVED BY SAMTEC, INC. THIS DOCUMENT SHALL NOT BE DISCLOSED, IN WHOLE OR PART, TO ANY UNAUTHORIZED PERSON OR ENTITY NOR REPRODUCED, TRANSFERRED OR INCORPORATED IN ANY OTHER PROJECT IN ANY MANNER WITHOUT THE EXPRESS WRITTEN CONSENT OF SAMTEC, INC.	 520 PARK EAST BLVD, NEW ALBANY, IN 47150 PHONE: 812-944-6733 FAX: 812-948-5047 e-Mail: info@SAMTEC.com code 55322	
	DO NOT SCALE DRAWING SHEET SCALE: 3:1		DESCRIPTION: SMA PLUG, SOLDER CLAMP FOR SEMFLEX HP160 CABLE
	DWG. NO. PRF01-P-C-EP-160-SS		BY: HENSON T 05/06/2019 SHEET 1 OF 2

CABLE APPLICATION VIEWS



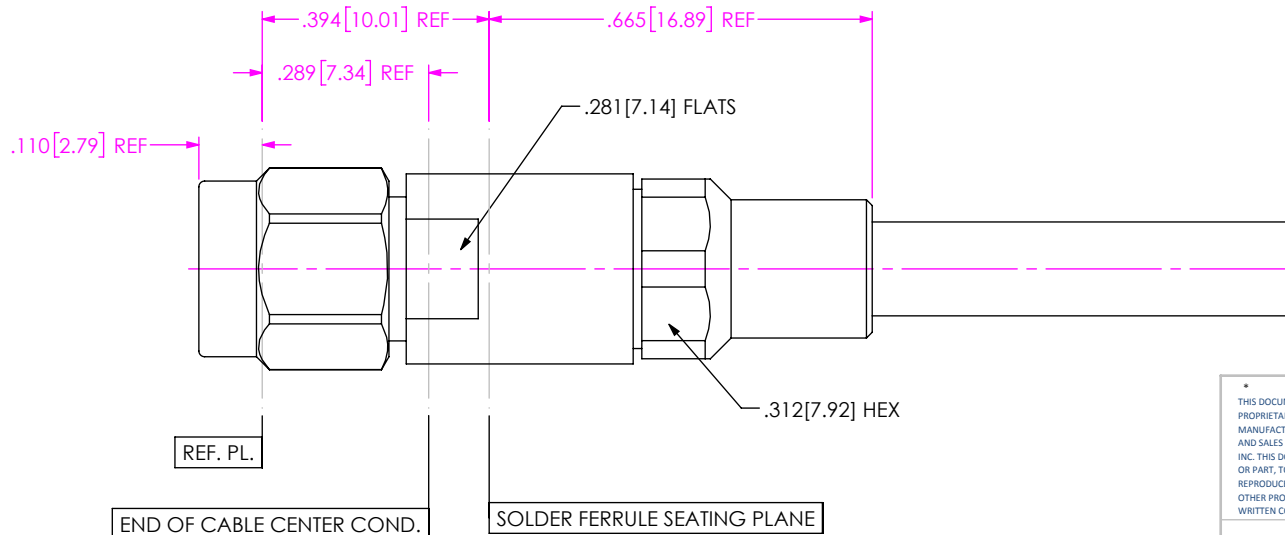
1. TRIM CABLE AS SHOWN.

IN-PROCESS VIEW 1



- 2A. SLIDE CLAMP NUT OVER CABLE AS SHOWN.
- 2B. INSERT CABLE INTO SOLDER FERRULE AS SHOWN THEN SOLDER BRAIDS TO FERRULE WHERE INDICATED.
- 2C. TRIM EXPOSED CABLE DIELECTRIC FLUSH WITH SOLDER FERRULE FACE.
- 2D. SLIDE DIELECTRIC STOP OVER CABLE CENTER CONDUCTOR AGAINST FERRULE FACE AND SOLDER CONTACT FLUSH AGAINST STOP TO DIMENSION SHOWN.
- 2E. SLIDE FORWARD INSULATOR ONTO CONTACT.

IN-PROCESS VIEW 2



3A. INSERT CABLE/CONTACT SUB-ASSEMBLY INTO CONNECTOR UNTIL SEATED AND TIGHTEN CLAMP NUT TO 25-35 IN-LBS.

IN-PROCESS VIEW 3

PROPRIETARY NOTE
 THIS DOCUMENT CONTAINS CONFIDENTIAL AND PROPRIETARY INFORMATION AND ALL DESIGN, MANUFACTURING, REPRODUCTION, USE, PATENT RIGHTS AND SALES RIGHTS ARE EXPRESSLY RESERVED BY SAMTEC, INC. THIS DOCUMENT SHALL NOT BE DISCLOSED, IN WHOLE OR PART, TO ANY UNAUTHORIZED PERSON OR ENTITY NOR REPRODUCED, TRANSFERRED OR INCORPORATED IN ANY OTHER PROJECT IN ANY MANNER WITHOUT THE EXPRESS WRITTEN CONSENT OF SAMTEC, INC.



520 PARK EAST BLVD, NEW ALBANY, IN 47150
 PHONE: 812-944-6733 FAX: 812-948-5047
 e-Mail info@SAMTEC.com code 55322

DO NOT SCALE DRAWING

SHEET SCALE: 3:1

DESCRIPTION: SMA PLUG, SOLDER CLAMP FOR SEMFLEX HP160 CABLE

DWG. NO. PRF01-P-C-EP-160-SS

BY: HENSON T 05/06/2019 SHEET 2 OF 2