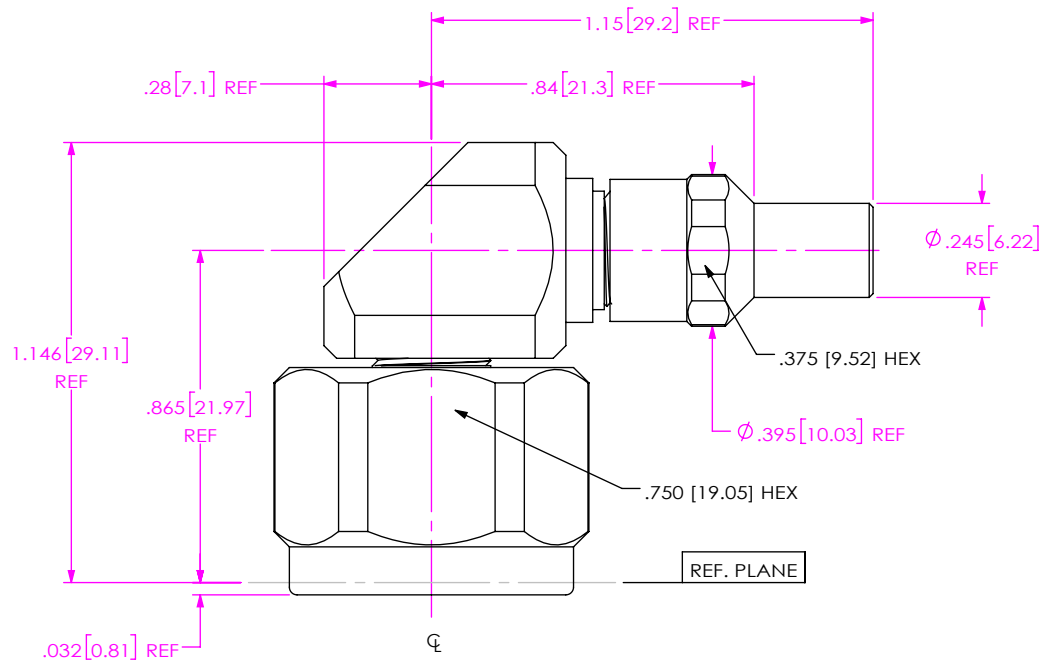


DO NOT
SCALE FROM
THIS PRINT



PRF06-P-C-EP-160A-RS

SERIES
-06: NTPE

TERMINATION
-S: SOLDER CLAMP

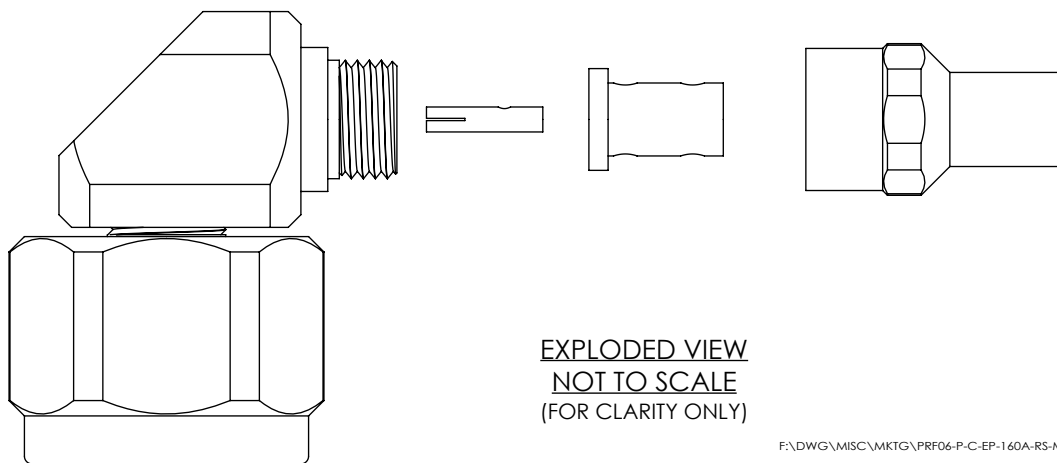
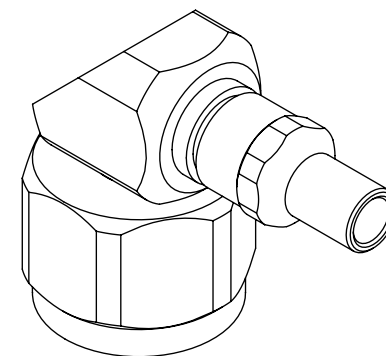
GENDER
-P: PLUG

ORIENTATION
-R: RIGHT ANGLE

TYPE
-C: CABLE

FINISH
-EP: 50µ" EXTRA HEAVY GOLD
CENTER CONTACT,
PASSIVATED OUTER CONTACT

CABLE TYPE
-160A: HARBOUR LL160



EXPLODED VIEW
NOT TO SCALE
(FOR CLARITY ONLY)

F:\DWG\MISC\MKTG\PRF06-P-C-EP-160A-RS-MKT.SLDDRW

NOTES:

- MATERIAL:**
BODIES, COUPLING NUT, CLAMP NUT: STAINLESS STEEL.
CONTACTS: BERYLLIUM COPPER.
SOLDER FERRULE: BRASS ALLOY.
INSULATORS: PTFE.
GASKET: SILICONE RUBBER.
- FINISH:**
BODIES, COUPLING NUT, CLAMP NUT: PASSIVATED.
CONTACTS, SOLDER FERRULE: 50µ" MIN. GOLD OVER 50µ" MIN. NICKEL PLATE.
- PCI P/N: 4051.

UNLESS OTHERWISE SPECIFIED,
DIMENSIONS ARE IN INCHES.
TOLERANCES ARE:
DECIMALS ANGLES
.XX: ±.01 [0.3] 1°
.XXX: ±.005 [0.13]
.XXXX: ±.0005 [0.013]

PROPRIETARY NOTE
THIS DOCUMENT CONTAINS CONFIDENTIAL AND PROPRIETARY INFORMATION AND ALL DESIGN, MANUFACTURING, REPRODUCTION, USE, PATENT RIGHTS AND SALES RIGHTS ARE EXPRESSLY RESERVED BY SAMTEC, INC. THIS DOCUMENT SHALL NOT BE DISCLOSED, IN WHOLE OR PART, TO ANY UNAUTHORIZED PERSON OR ENTITY NOR REPRODUCED, TRANSFERRED OR INCORPORATED IN ANY OTHER PROJECT IN ANY MANNER WITHOUT THE EXPRESS WRITTEN CONSENT OF SAMTEC, INC.



520 PARK EAST BLVD, NEW ALBANY, IN 47150
PHONE: 812-944-6733 FAX: 812-948-5047
e-Mail: info@SAMTEC.com code 55322

DO NOT SCALE DRAWING

SHEET SCALE: 2:1

DESCRIPTION: TYPE N RA PLUG, SOLDER CLAMP FOR HARBOUR LL160 CABLE

DWG. NO.

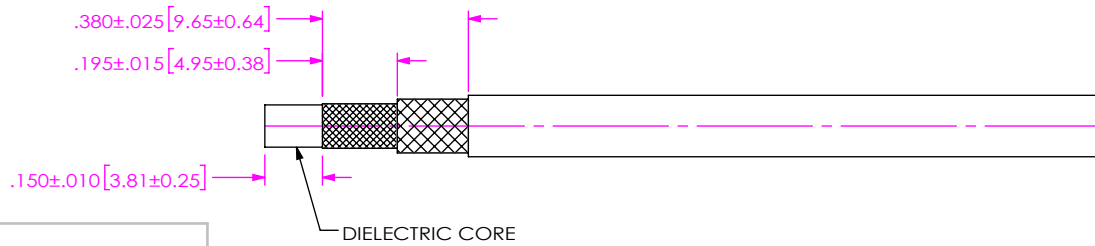
PRF06-P-C-EP-160A-RS

BY: EVE L

05/15/2021

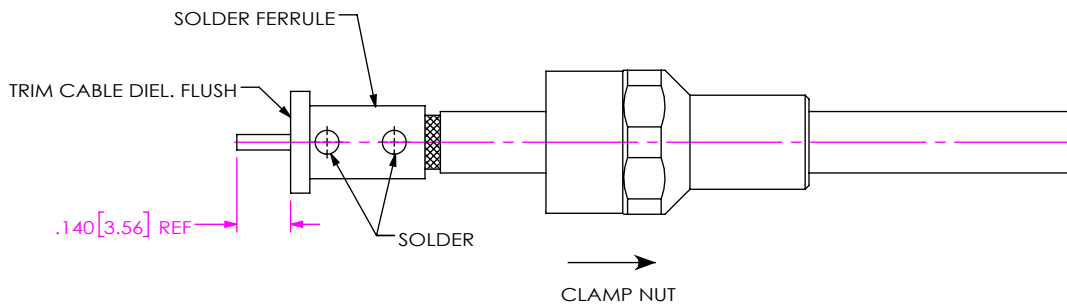
SHEET 1 OF 3

CABLE APPLICATION VIEWS



IN-PROCESS VIEW 1

1A. TRIM CABLE TO EXPOSE DIELECTRIC CORE AND BRAIDS AS SHOWN.

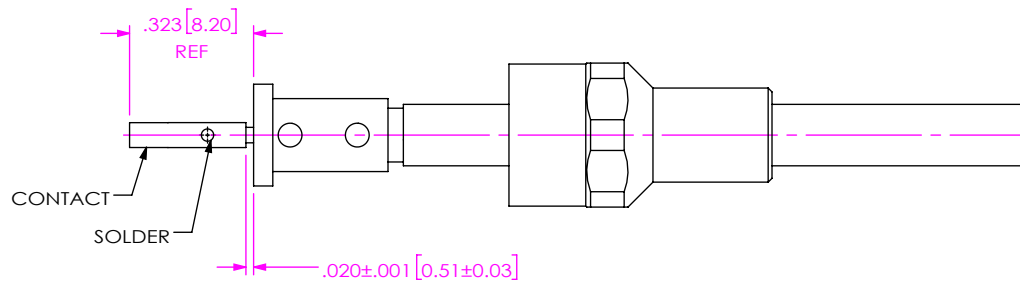


IN-PROCESS VIEW 2

2A. SLIDE CLAMP NUT OVER CABLE AS SHOWN.

2B. INSERT CABLE INTO SOLDER FERRULE UNTIL FORWARD BRAID SEATS THEN SOLDER BOTH CABLE BRAIDS WHERE SHOWN.

2C. TRIM CABLE DIELECTRIC FLUSH TO SOLDER FERRULE.



IN-PROCESS VIEW 3

3. SOLDER CONTACT WITH GAP INDICATED AS SHOWN.

PROPRIETARY NOTE
 THIS DOCUMENT CONTAINS CONFIDENTIAL AND PROPRIETARY INFORMATION AND ALL DESIGN, MANUFACTURING, REPRODUCTION, USE, PATENT RIGHTS AND SALES RIGHTS ARE EXPRESSLY RESERVED BY SAMTEC, INC. THIS DOCUMENT SHALL NOT BE DISCLOSED, IN WHOLE OR PART, TO ANY UNAUTHORIZED PERSON OR ENTITY NOR REPRODUCED, TRANSFERRED OR INCORPORATED IN ANY OTHER PROJECT IN ANY MANNER WITHOUT THE EXPRESS WRITTEN CONSENT OF SAMTEC, INC.



520 PARK EAST BLVD, NEW ALBANY, IN 47150
 PHONE: 812-944-6733 FAX: 812-948-5047
 e-Mail: info@SAMTEC.com code 55322

DO NOT SCALE DRAWING

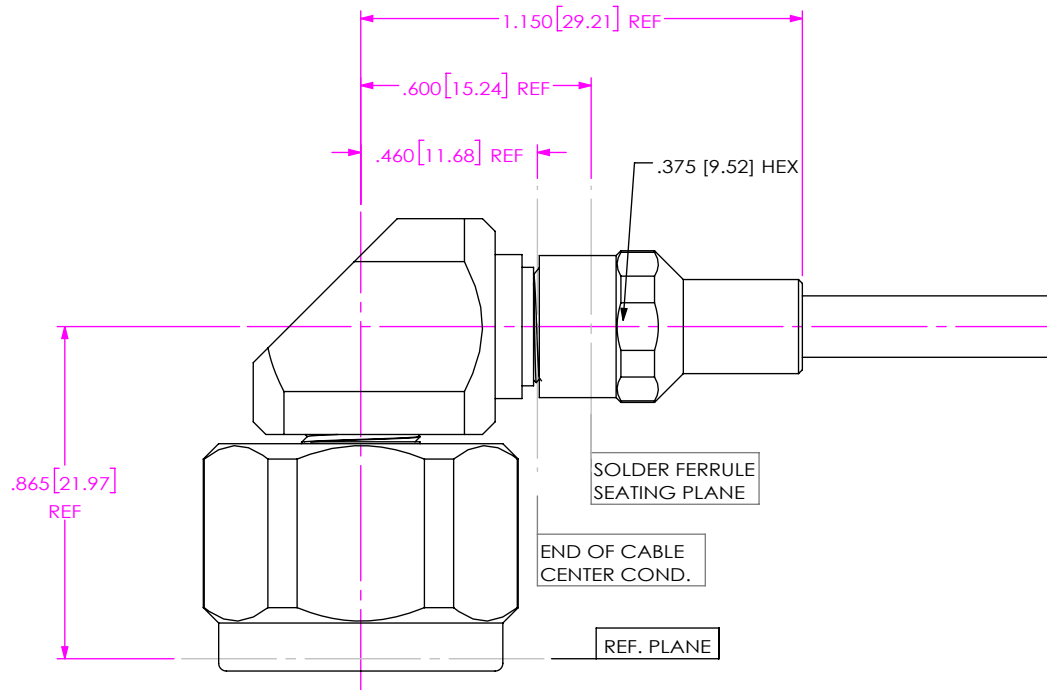
SHEET SCALE: 2:1

DESCRIPTION: TYPE N RA PLUG, SOLDER CLAMP FOR HARBOUR LL160 CABLE

DWG. NO. PRF06-P-C-EP-160A-RS

BY: EVE L 05/15/2021 SHEET 2 OF 3

CABLE APPLICATION VIEWS



4A. INSERT CABLE/CONTACT SUB-ASSEMBLY INTO CONNECTOR UNTIL SEATED AND TIGHTEN CLAMP NUT TO 35-45 IN-LBS.

IN-PROCESS VIEW 4

PROPRIETARY NOTE

THIS DOCUMENT CONTAINS CONFIDENTIAL AND PROPRIETARY INFORMATION AND ALL DESIGN, MANUFACTURING, REPRODUCTION, USE, PATENT RIGHTS AND SALES RIGHTS ARE EXPRESSLY RESERVED BY SAMTEC, INC. THIS DOCUMENT SHALL NOT BE DISCLOSED, IN WHOLE OR PART, TO ANY UNAUTHORIZED PERSON OR ENTITY NOR REPRODUCED, TRANSFERRED OR INCORPORATED IN ANY OTHER PROJECT IN ANY MANNER WITHOUT THE EXPRESS WRITTEN CONSENT OF SAMTEC, INC.



520 PARK EAST BLVD, NEW ALBANY, IN 47150
 PHONE: 812-944-6733 FAX: 812-948-5047
 e-Mail: info@SAMTEC.com code 55322

DO NOT SCALE DRAWING

SHEET SCALE: 2:1

DESCRIPTION: TYPE N RA PLUG. SOLDER CLAMP FOR HARBOUR LL160 CABLE

DWG. NO. PRF06-P-C-EP-160A-RS

BY: EVE L 05/15/2021 SHEET 3 OF 3