

DO NOT SCALE FROM THIS PRINT

DESIGNED & DIMENSIONED IN INCHES[MILLIMETERS]

PRF35-J-C-EP-402-SS

SERIES
-35: 3.5MM

GENDER
-J: JACK

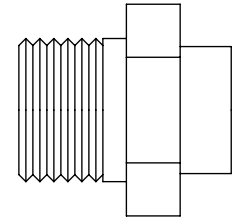
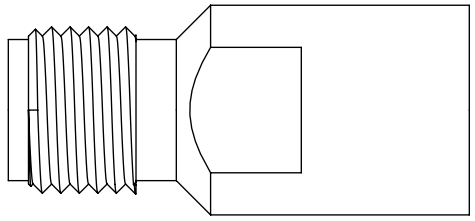
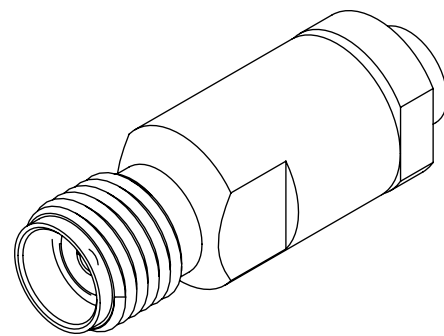
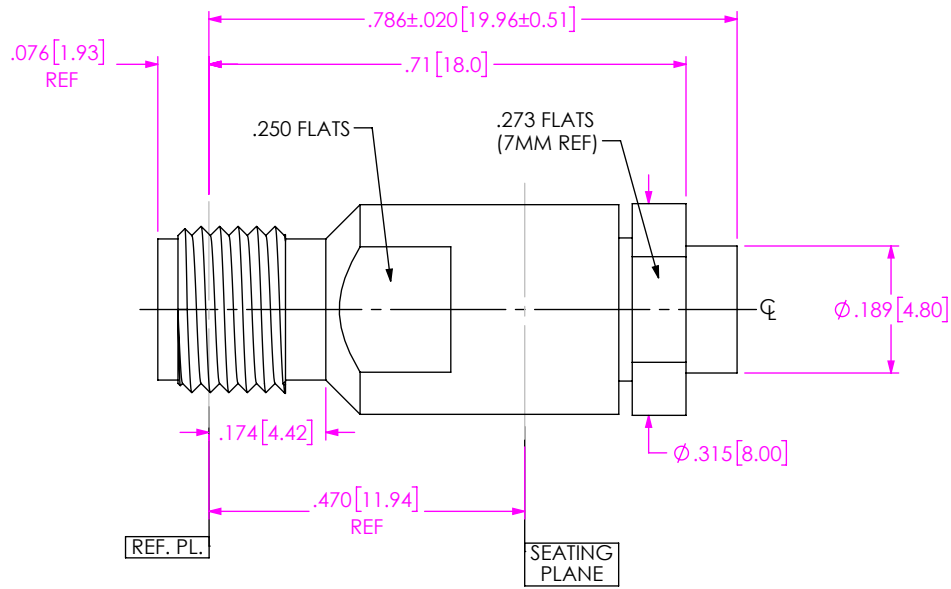
TYPE
-C: CABLE

TERMINATION
-S: SOLDER CLAMP

ORIENTATION
-S: STRAIGHT

CABLE TYPE
-402: RG-402 SEMI-RIGID

FINISH
-EP: 50µ" EXTRA HEAVY GOLD CENTER CONTACT, PASSIVATED OUTER CONTACT




EXPLODED VIEW
NOT TO SCALE
(FOR CLARITY ONLY)

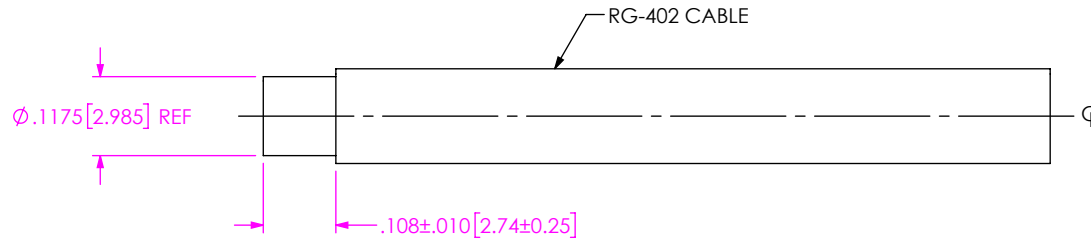
NOTES:

- MATERIAL:
BODY, BUSHING: STAINLESS STEEL
CONTACT: BERYLLIUM COPPER
CLAMP NUT: BRASS ALLOY
BEAD: PCTFE
- FINISH:
BODY, BUSHING: PASSIVATED
CLAMP NUT, CONTACT: 50µ" MIN. GOLD OVER 50µ" MIN. NICKEL PLATE
- PCI P/N: 3887

F:\DWG\MISC\MKTG\PRF35-J-C-EP-402-SS-MKT.SLDDRW

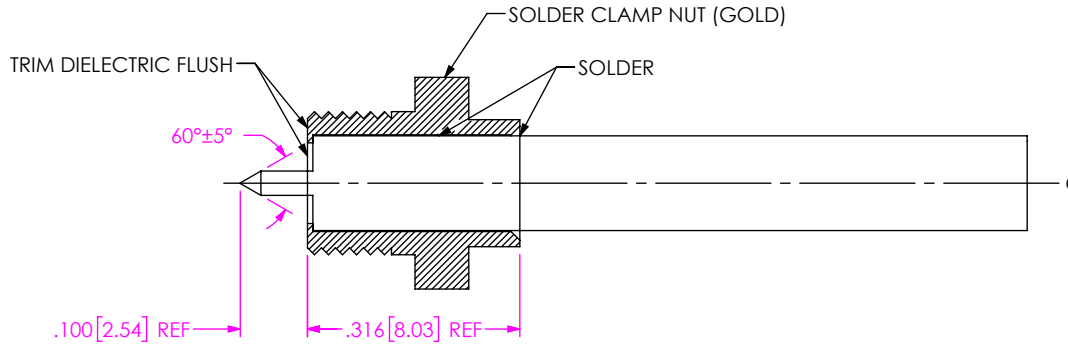
UNLESS OTHERWISE SPECIFIED, DIMENSIONS ARE IN INCHES. TOLERANCES ARE: DECIMALS ANGLES .XX: ±.01 [0.3] 1° .XXX: ±.005 [0.13] .XXXX: ±.0005 [0.013]	* PROPRIETARY NOTE * THIS DOCUMENT CONTAINS CONFIDENTIAL AND PROPRIETARY INFORMATION AND ALL DESIGN, MANUFACTURING, REPRODUCTION, USE, PATENT RIGHTS AND SALES RIGHTS ARE EXPRESSLY RESERVED BY SAMTEC, INC. THIS DOCUMENT SHALL NOT BE DISCLOSED, IN WHOLE OR PART, TO ANY UNAUTHORIZED PERSON OR ENTITY NOR REPRODUCED, TRANSFERRED OR INCORPORATED IN ANY OTHER PROJECT IN ANY MANNER WITHOUT THE EXPRESS WRITTEN CONSENT OF SAMTEC, INC.		
		520 PARK EAST BLVD., NEW ALBANY, IN 47150 PHONE: 812-944-6733 FAX: 812-948-5047 e-Mail info@SAMTEC.com code 55322	
		DO NOT SCALE DRAWING SHEET SCALE: 3.5:1	DESCRIPTION: 3.5MM JACK SOLDER CLAMP NUT FOR RG-402 CABLE

CABLE APPLICATION VIEWS



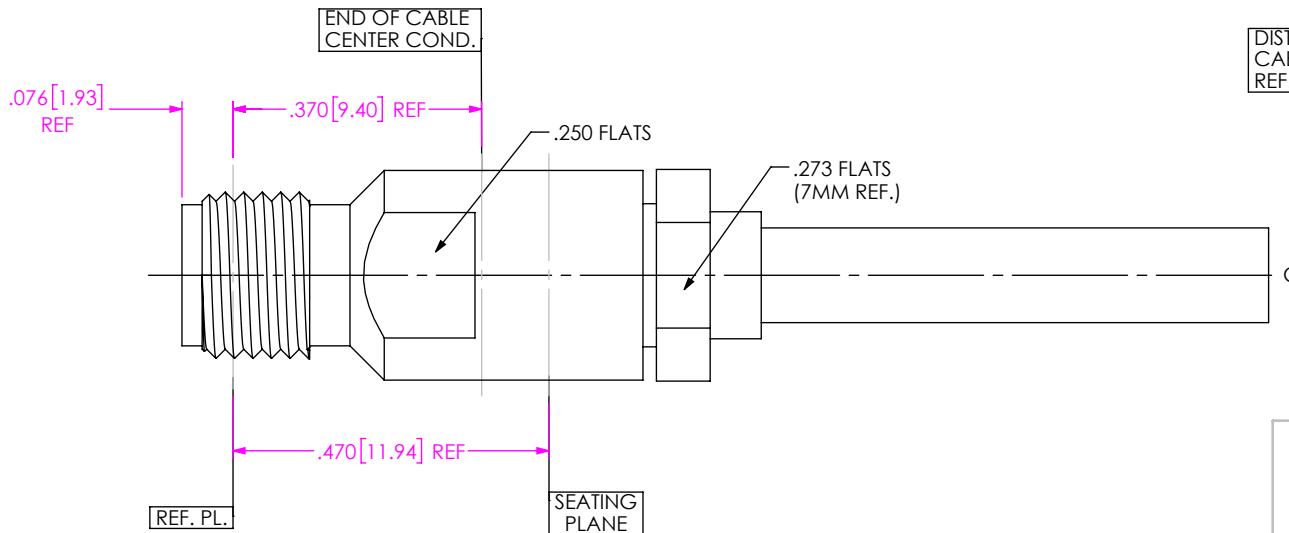
IN-PROCESS VIEW 1

1. TRIM CABLE JACKET TO EXPOSE DIELECTRIC CORE AS SHOWN.



IN-PROCESS VIEW 2

2A. SOLDER CLAMP NUT TO CABLE AS SHOWN.
 2B. TRIM CABLE DIELECTRIC FLUSH WITH FACE OF CLAMP NUT AS SHOWN.
 2C. POINT CABLE CENTER CONDUCTOR AS SHOWN.



IN-PROCESS VIEW 3

DISTANCE FROM END OF CABLE CENTER COND. TO REF. PL. IS .370 (REF.)

3A. INSERT CABLE SUB-ASSEMBLY INTO CONNECTOR UNTIL SEATED AND TORQUE TO 25-30 IN. LBS.
 3B. GAGE CONTACT RECESSON FROM CONNECTOR INTERFACE. (.000/.0033 SUB-FLUSH).

PROPRIETARY NOTE
 THIS DOCUMENT CONTAINS CONFIDENTIAL AND PROPRIETARY INFORMATION AND ALL DESIGN, MANUFACTURING, REPRODUCTION, USE, PATENT RIGHTS AND SALES RIGHTS ARE EXPRESSLY RESERVED BY SAMTEC, INC. THIS DOCUMENT SHALL NOT BE DISCLOSED, IN WHOLE OR PART, TO ANY UNAUTHORIZED PERSON OR ENTITY NOR REPRODUCED, TRANSFERRED OR INCORPORATED IN ANY OTHER PROJECT IN ANY MANNER WITHOUT THE EXPRESS WRITTEN CONSENT OF SAMTEC, INC.



520 PARK EAST BLVD, NEW ALBANY, IN 47150
 PHONE: 812-944-6733 FAX: 812-948-5047
 e-Mail info@SAMTEC.com code 55322

DO NOT SCALE DRAWING

SHEET SCALE: 3.5:1

DESCRIPTION: 3.5MM JACK SOLDER CLAMP NUT FOR RG-402 CABLE

DWG. NO. PRF35-J-C-EP-402-SS

BY: CANDY W 4/13/2019 SHEET 2 OF 2