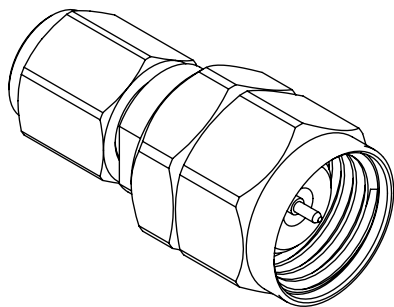


DO NOT SCALE FROM THIS PRINT

DESIGNED & DIMENSIONED IN INCHES[MILLIMETERS]



PRFBA-100-P-185-P-S

ADAPTER TYPE
-BA: BETWEEN SERIES ADAPTER

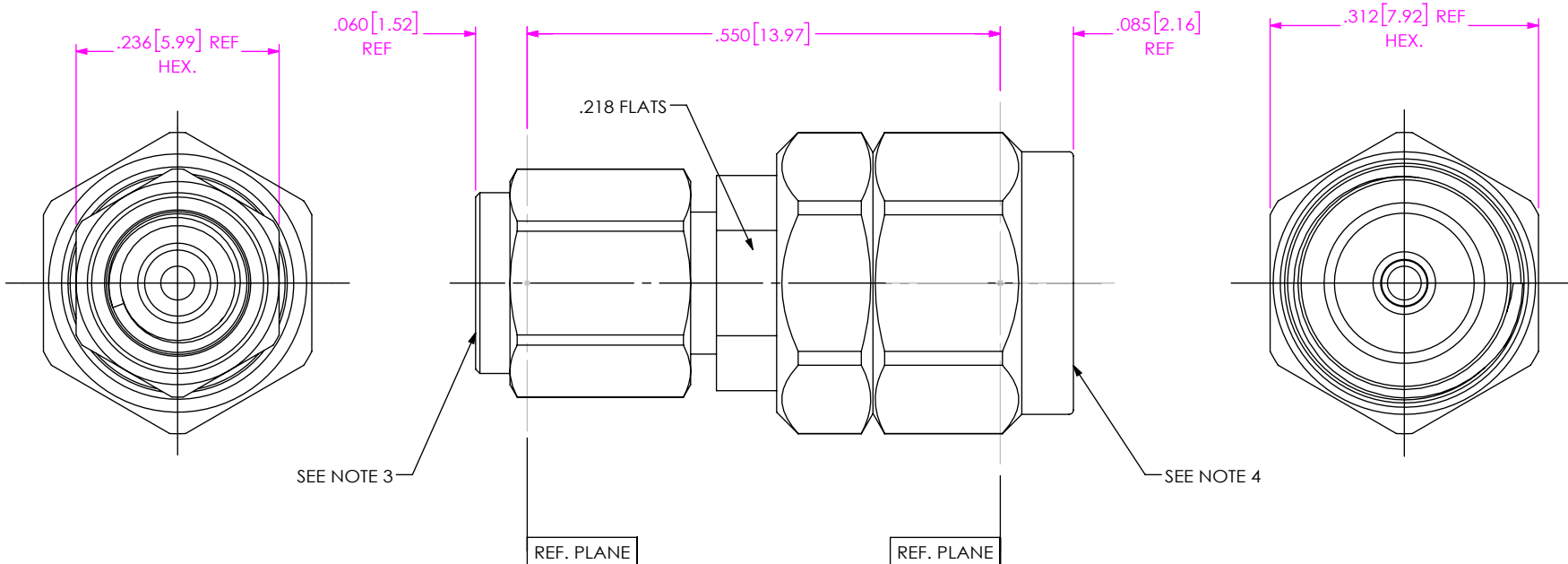
END 1 SERIES
-100: 1.0mm

END 1 GENDER
-P: PLUG

ORIENTATION
-S: STRAIGHT

END 2 GENDER
-P: PLUG

END 2 SERIES
-185: 1.85mm



NOTES:

- MATERIAL:
BODY, COUPLING NUTS & BUSHING: STAINLESS STEEL.
CONTACT: BeCu C17300.
LOCK RINGS: BeCu C17200.
DIELECTRIC BEAD: ULTEM 1000.
SUPPORT BEAD: PTFE.
GASKETS: SILICONE RUBBER.
- FINISH:
BODY, COUPLING NUTS & BUSHING: PASSIVATED.
CONTACT: GOLD OVER NICKEL PLATE,
50 μIN MIN GOLD OVER 50 μIN MIN NICKEL.
- 1.0mm PIN INTERFACE PER PCI-1.0mm-PIN.
- 1.85mm PIN INTERFACE PER PCI-1.85mm-PIN.
- PCI P/N: 2254.

UNLESS OTHERWISE SPECIFIED,
DIMENSIONS ARE IN INCHES.
TOLERANCES ARE:
DECIMALS ANGLES
.XX: ±.01 [0.3] 1°
.XXX: ±.005 [0.13]
.XXXX: ±.0005 [0.013]

PROPRIETARY NOTE
THIS DOCUMENT CONTAINS CONFIDENTIAL AND PROPRIETARY INFORMATION AND ALL DESIGN, MANUFACTURING, REPRODUCTION, USE, PATENT RIGHTS AND SALES RIGHTS ARE EXPRESSLY RESERVED BY SAMTEC, INC. THIS DOCUMENT SHALL NOT BE DISCLOSED, IN WHOLE OR PART, TO ANY UNAUTHORIZED PERSON OR ENTITY NOR REPRODUCED, TRANSFERRED OR INCORPORATED IN ANY OTHER PROJECT IN ANY MANNER WITHOUT THE EXPRESS WRITTEN CONSENT OF SAMTEC, INC.



520 PARK EAST BLVD, NEW ALBANY, IN 47150
PHONE: 812-944-6733 FAX: 812-948-5047
e-Mail: info@SAMTEC.com code 55322

DO NOT SCALE DRAWING

SHEET SCALE: 5:1

DESCRIPTION:
ADAPTER, 1.0MM PLUG TO 1.85MM PLUG

DWG. NO. PRFBA-100-P-185-P-S

BY: ETHAN C 01/11/2021 SHEET 1 OF 1