

DO NOT SCALE FROM THIS PRINT

DESIGNED & DIMENSIONED IN INCHES[MILLIMETERS]

PRFBA-292-J-SMPM-PX-S

ADAPTER TYPE  
-BA: BETWEEN SERIES ADAPTER

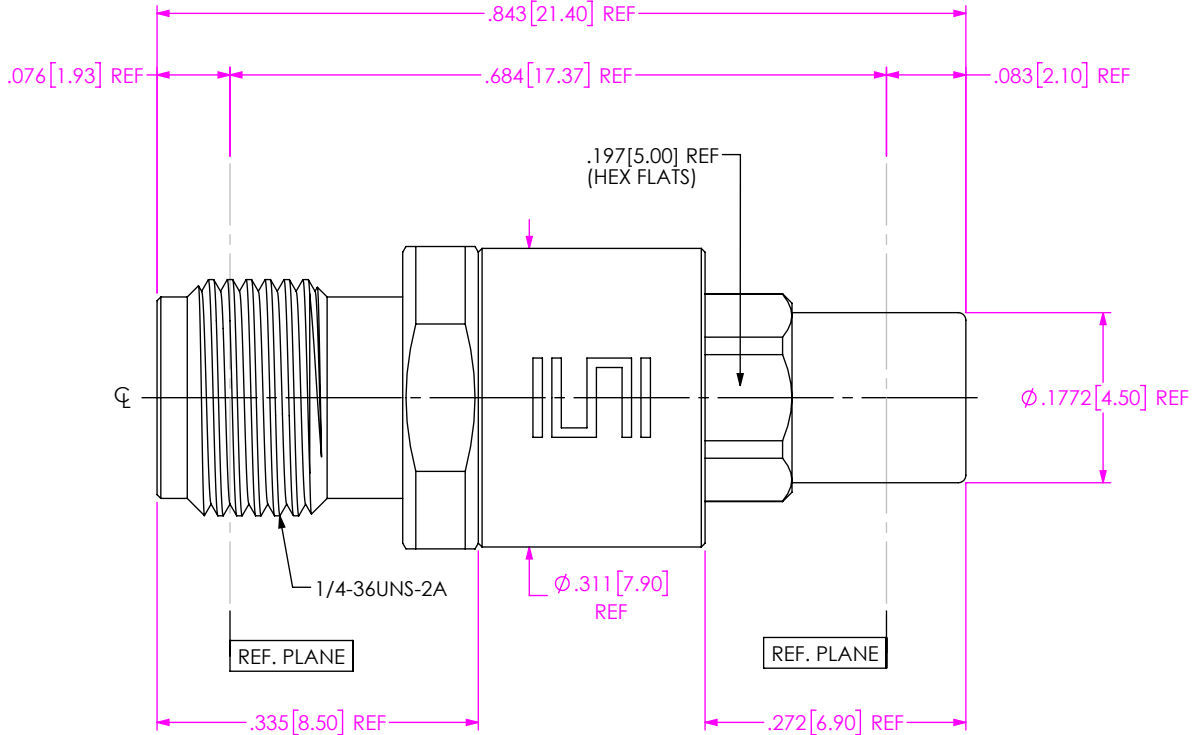
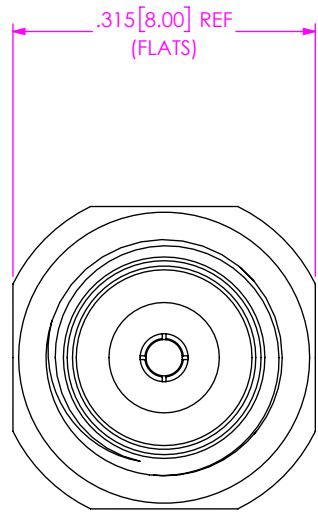
END 1 SERIES  
-292: 2.92mm

END 1 GENDER  
-J: JACK


ORIENTATION  
-S: STRAIGHT

END 2 GENDER  
-PF: PLUG FULL DETENT

END 2 SERIES  
-SMPM



- NOTES:
- MATERIAL:  
BODY: STAINLESS STEEL  
CONTACT: BERYLLIUM COPPER  
BEAD: PEI
  - FINISH:  
BODY: PASSIVATED  
CONTACT: GOLD
  - VSWR DC – 40GHz \_\_\_ 1.30:1 MAX
  - INSERTION LOSS .06XSQRT(MAX FREQ) MAX

UNLESS OTHERWISE SPECIFIED, DIMENSIONS ARE IN INCHES. TOLERANCES ARE: DECIMALS                      ANGLES .XX: ±.01 [0.3] .XXX: ±.005 [0.13] .XXXX: ±.0005 [0.013]	* PROPRIETARY NOTE * THIS DOCUMENT CONTAINS CONFIDENTIAL AND PROPRIETARY INFORMATION AND ALL DESIGN, MANUFACTURING, REPRODUCTION, USE, PATENT RIGHTS AND SALES RIGHTS ARE EXPRESSLY RESERVED BY SAMTEC, INC. THIS DOCUMENT SHALL NOT BE DISCLOSED, IN WHOLE OR PART, TO ANY UNAUTHORIZED PERSON OR ENTITY NOR REPRODUCED, TRANSFERRED OR INCORPORATED IN ANY OTHER PROJECT IN ANY MANNER WITHOUT THE EXPRESS WRITTEN CONSENT OF SAMTEC, INC.	 520 PARK EAST BLVD, NEW ALBANY, IN 47150 PHONE: 812-944-6733    FAX: 812-948-5047 e-Mail: info@SAMTEC.com    code 55322	
		DO NOT SCALE DRAWING                      SHEET SCALE: 5:1	DESCRIPTION: ADAPTER, 2.92MM JACK TO SMPM PLUG
		DWG. NO. PRFBA-292-J-SMPM-PX-S	
		BY: WILLY Y                      3/9/2022                      SHEET 1 OF 1	