

DO NOT  
SCALE FROM  
THIS PRINT

DESIGNED & DIMENSIONED  
IN INCHES [MILLIMETERS]

PRFIA-SMPM-J-J-S-4

SERIES  
-M0: SMPM  
GENDER  
-J: JACK  
GENDER  
-J: JACK  
OPTION  
-4  
ORIENTATION  
-S: STRAIGHT

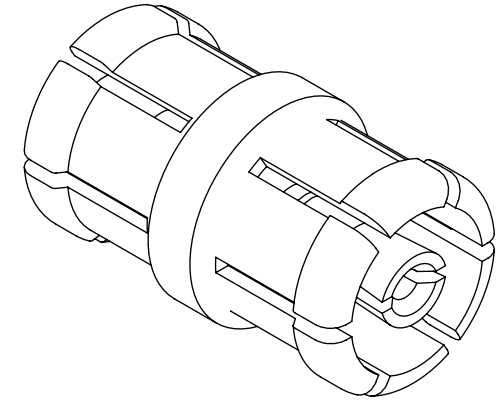
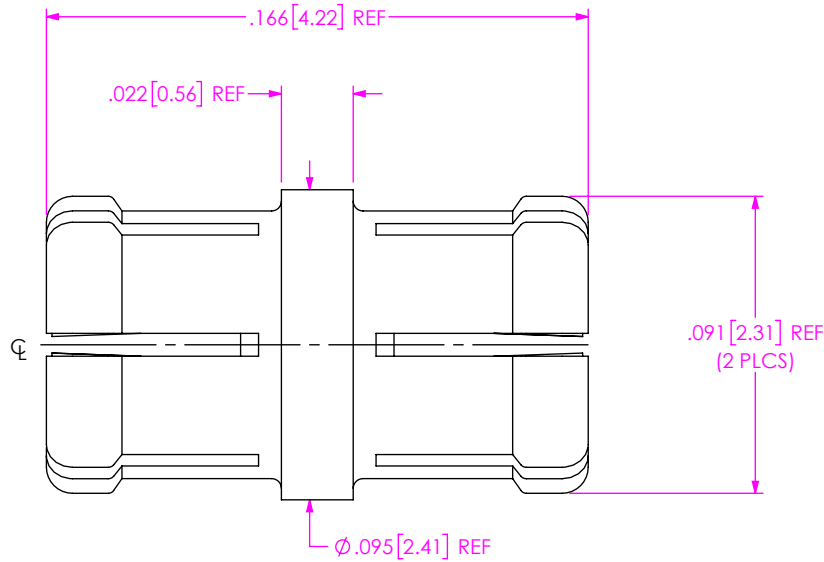


FIG 1  
PRFIA-SMPM-J-J-S-4 SHOWN

- NOTES:
1. TRAYS TO BE STANDARD PACKAGING.
  2. MATERIAL:  
BODY, CONTACT: BERYLLIUM COPPER.  
BEAD: PTFE.
  3. FINISH:  
BODY, CONTACT: GOLD OVER NICKEL PLATE,  
50 µIN MIN GOLD OVER 50 µIN MIN NICKEL.

UNLESS OTHERWISE SPECIFIED,  
DIMENSIONS ARE IN INCHES.  
TOLERANCES ARE:  
DECIMALS                      ANGLES  
.XX: ±.01 [0.3]                      2°  
.XXX: ±.005 [0.13]  
.XXXX: ±.0005 [0.013]

**PROPRIETARY NOTE**  
\* THIS DOCUMENT CONTAINS CONFIDENTIAL AND PROPRIETARY INFORMATION AND ALL DESIGN, MANUFACTURING, REPRODUCTION, USE, PATENT RIGHTS AND SALES RIGHTS ARE EXPRESSLY RESERVED BY SAMTEC, INC. THIS DOCUMENT SHALL NOT BE DISCLOSED, IN WHOLE OR PART, TO ANY UNAUTHORIZED PERSON OR ENTITY NOR REPRODUCED, TRANSFERRED OR INCORPORATED IN ANY OTHER PROJECT IN ANY MANNER WITHOUT THE EXPRESS WRITTEN CONSENT OF SAMTEC, INC. \*



520 PARK EAST BLVD., NEW ALBANY, IN 47150  
PHONE: 812-944-6733    FAX: 812-948-5047  
e-Mail: info@SAMTEC.com    code 55322

DO NOT SCALE DRAWING

SHEET SCALE: 17:1

DESCRIPTION:  
SMPM BULLETS 4.22MM JACK ASSEMBLY

DWG. NO. PRFIA-SMPM-J-J-S-4

BY: SHERRY W                      1/8/2021                      SHEET 1 OF 1