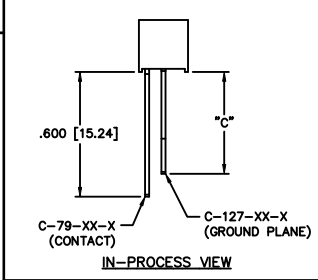


REVISION T



DIMENSIONS ARE IN INCHES UNLESS OTHERWISE NOTED TOLERANCES ARE:  
 ONE PLACE DECIMALS ± .1[.25] THREE PLACE DECIMALS ± .005[.127] ANGLES ± 2°  
 TWO PLACE DECIMALS ± .01[.25] FOUR PLACE DECIMALS ± .0020[.051]

TITLE: .0197 SQ 2mm QUIET SOCKET ASSEMBLY

DWG NO: QST-1XX-XX-X-X SHEET 1 OF 1

TABLE 2

LEAD STYLE	"A"	"B"	"C"	CONTACT	GROUND PLANE
-01	.638 [16.21]	.212 [5.38]	.600 [15.24]	C-79-02-X	C-127-01-X
-02	.500 [12.70]	.115 [2.92]	.365 [9.27]	C-79-02-X	C-127-02-X
-03	.650 [16.51]	.090 [2.29]	.490 [12.45]	C-79-02-X	C-127-03-X
-04	.760 [19.30]	.090 [2.29]	.600 [15.24]	C-79-02-X	C-127-04-X

QST-1XX-XX-X-X

No. OF POSITIONS  
-10 THRU -50  
(PER ROW)

LEAD STYLE SPECIFICATION  
-01: .638 STACK  
-02: .500 STACK  
-03: .650 STACK  
-04: .760 STACK

ROW SPECIFICATION  
-T: TRIPLE (USE SQT-50-T & TMMH-50-T)  
-5: FIVE (USE SQT-50-5 & TMMH-50-5)

PLATING SPECIFICATION  
-F: 3µ" FLASH SELECTIVE GOLD IN CONTACT AREA, MATTE TIN ON TAIL  
-L: 10µ" LIGHT SELECTIVE GOLD IN CONTACT AREA, MATTE TIN ON TAIL  
-G: 10µ" GOLD IN CONTACT AREA, 3 GOLD ON TAIL  
-S: 30µ" SELECTIVE GOLD IN CONTACT AREA, MATTE TIN ON TAIL  
-M: 20µ" MEDIUM SELECTIVE GOLD IN CONTACT AREA, MATTE TIN ON TAIL

CRITICAL DIMENSION INSPECTION INSTRUCTION TABLE

ASSEMBLY OPERATION	IN-PROCESS INSPECTION
POLARIZE C-127	C8
ROTO CUT SQT	C7
MULTI CUT TMMH	C4
FILL	C5,C8
MOUNT BODY	C2,C3*,C7
SHEAR TAILS	C3*

\*IF APPLICABLE

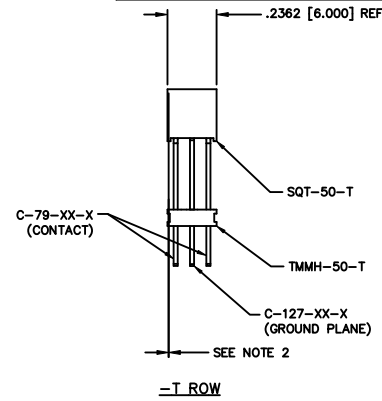
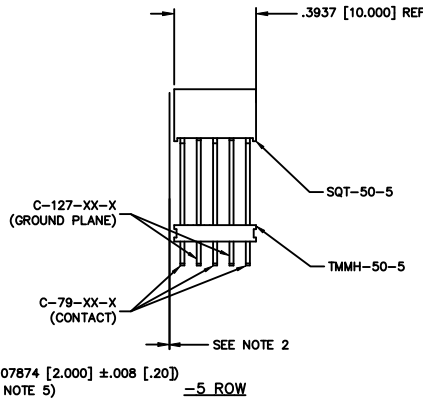
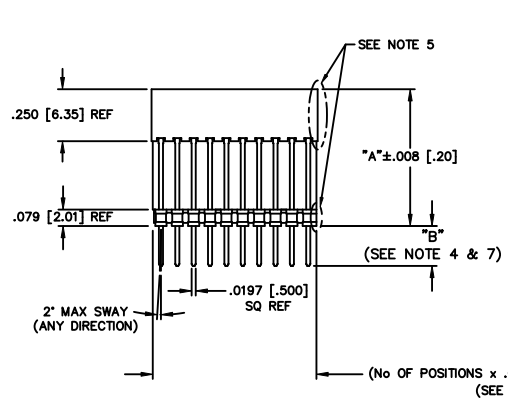
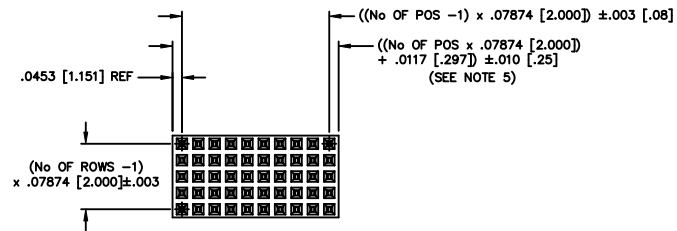
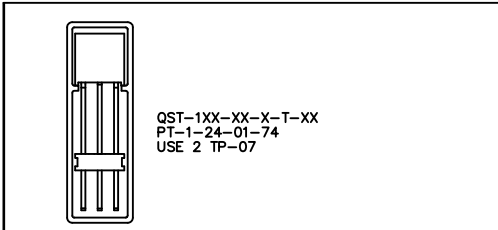
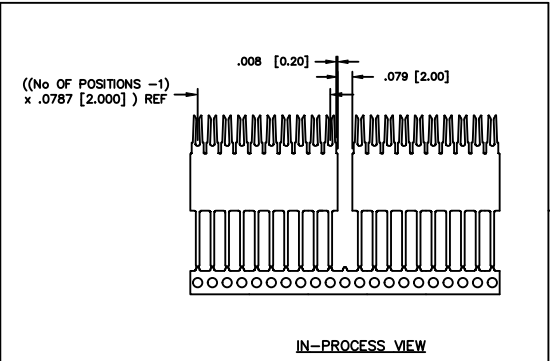


FIG. 1



TUBE TABLE

ROW SPEC.	LEAD STYLE	TUBE	PLUG
3	ALL	PT-1-24-01-74	TP-07
5	01, 03, 04	PT-1-24-25F-109	TP-26
5	02	ASP-90334-01-S	TP-25



- NOTE:
1. TOOLING TO BE DESIGNED TO PRODUCE UP TO 61 POSITIONS.
  2. TMMH BODY NOT TO BE MORE THAN ±.005 [.13] FROM PLANE SET BY SQT BODY.
  3. Ⓢ REPRESENTS A CRITICAL DIMENSION.
  4. TAILS TO BE SHEARED TO ACHIEVE DIMENSION SHOWN (LEAD STYLE -02 & -03).
  5. MAX CUT FLASH TO BE .015 [.38].
  6. MAX BURR .005 [.13].
  7. MAX HEIGHT VARIATION BETWEEN ROWS: .010 [.25].

MATERIAL:  
BODY: LIQUID CRYSTAL POLYMER  
COLOR:BLACK  
CONTACT: PHOSPHOR BRONZE



520 PARK EAST BLVD. NEW ALBANY, INDIANA 47150  
PHONE (812) 944-6733 P.O. BOX 1147  
CODE 55322

MADE BY: PURVIS 09/22/98

QST-1XX-XX-X-X SHEET 1 OF 1

\* PROPRIETARY NOTE \*

THIS DOCUMENT CONTAINS CONFIDENTIAL AND PROPRIETARY INFORMATION AND ALL DESIGN, MANUFACTURING, REPRODUCTION, USE, PATENT RIGHTS AND SALES RIGHTS ARE EXPRESSLY RESERVED BY SAMTEC, INC. THIS DOCUMENT SHALL NOT BE DISCLOSED, IN WHOLE OR PART, TO ANY UNAUTHORIZED PERSON OR ENTITY NOR REPRODUCED, TRANSMITTED OR INCORPORATED IN ANY OTHER PROJECT IN ANY MANNER WITHOUT THE EXPRESS WRITTEN CONSENT OF SAMTEC, INC.