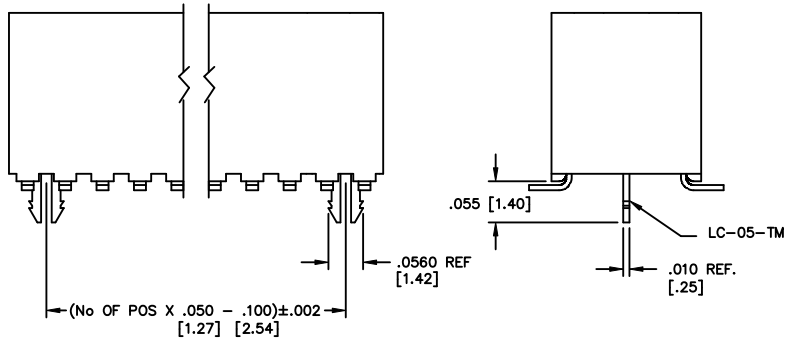


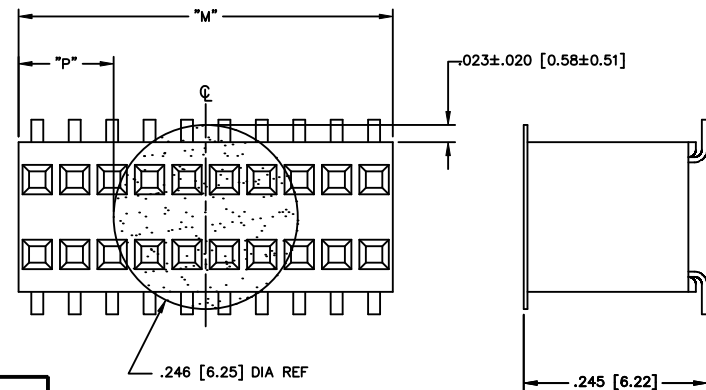
REV AX

FIG 2  
-LC: LOCKING CLIP



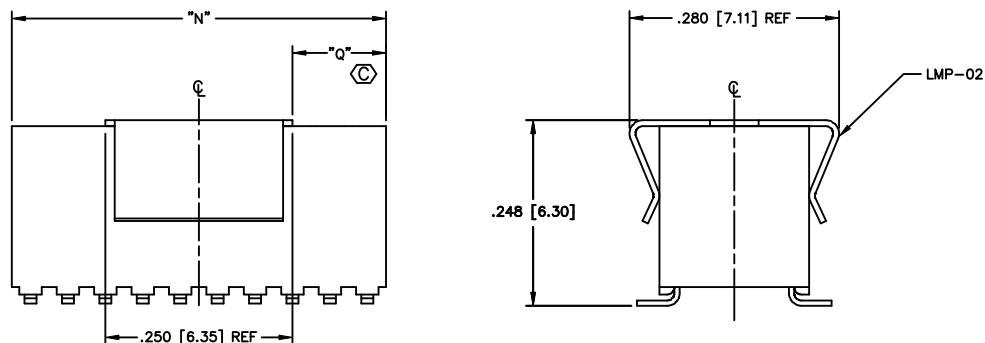
DIMENSIONS ARE IN INCHES		UNLESS OTHERWISE NOTED		TOLERANCES ARE:		TITLE: RECEPTACLE SURFACE MOUNT (DOUBLE ROW)		DWG NO: RSM-1XX-XX-XXX-D-XX-X-XX SHEET 2 OF 2	
ONE PLACE DECIMALS: ± .1	THREE PLACE DECIMALS: ± .005	ANGLES ± 5°							
TWO PLACE DECIMALS: ± .01	FOUR PLACE DECIMALS: ± .0020								

FIG 4  
-K: POLYIMIDE FILM PAD  
(AVAILABLE ON POS 5 - 50 ONLY)



NOTE: "M" = USE MEASURED DIMENSION (REF)  
"P" = {"M" - .246 [6.25]} / 2 ± .020 [0.51]

FIG 3  
-P: PICK AND PLACE PAD  
(AVAILABLE ON POS 5 - 50 ONLY)



NOTE: "N" = USE MEASURED DIMENSION (REF)  
"Q" = {"N" - .250 [6.35]} / 2 ± .020 [0.51]

**\*PROPRIETARY NOTE\***  
THIS DOCUMENT CONTAINS CONFIDENTIAL AND PROPRIETARY INFORMATION AND ALL DESIGN, MANUFACTURING, REPRODUCTION, USE, PATENT RIGHTS AND SALES RIGHTS ARE EXPRESSLY RESERVED BY SAMTEC, INC. THIS DOCUMENT SHALL NOT BE DISCLOSED IN WHOLE OR PART, TO ANY UNAUTHORIZED PERSON OR ENTITY NOR REPRODUCED, TRANSMITTED OR INCORPORATED IN ANY OTHER PROJECT IN ANY MANNER WITHOUT THE EXPRESS WRITTEN CONSENT OF SAMTEC, INC.

EXISPROD\ASSEMBLY050  
RSMDSM2

**samtec**

520 PARK EAST BLVD. NEW ALBANY, INDIANA 47150  
PHONE (812) 944-6733 P.O. BOX 1147  
CODE 55322

MADE BY: GREG REIDINGER 11-24-92	APPROVAL	RSM-1XX-XX-XXX-D-XX-X-XX
CHECKED BY:		SHEET 2 OF 2