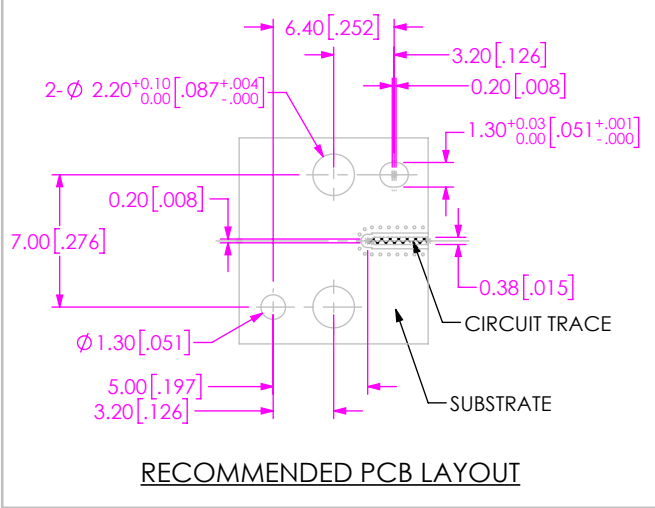
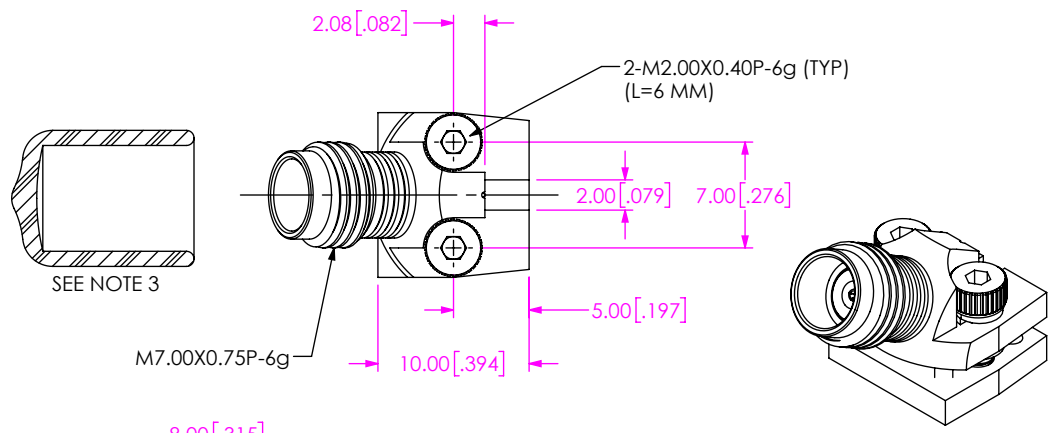


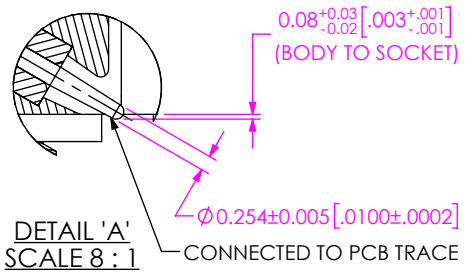
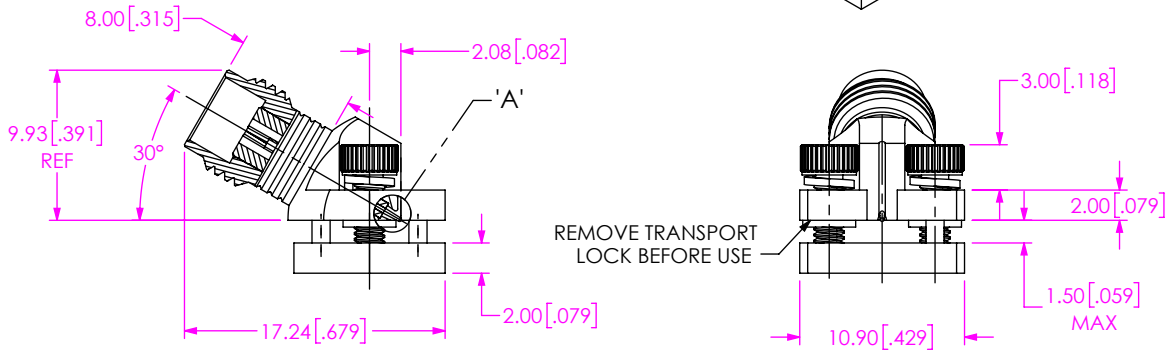
- NOTES:
 1. 1.85MM COMPRESSION JACK W/30 DEG ANGLE NOT AVAILABLE AS STANDARD.
 2. REPRESENTS A CRITICAL DIMENSION.
 3. PROTECTION CAP MUST BE INSTALLED BEFORE PACKING.
 4. PART IS RoHS COMPLIANT.
 5. PARTS TO BE PACKAGED IN TRAYS.
 6. ORDERS WILL BE PACKAGED ACCORDING TO THE SAMTEC PACKAGING EFFICIENCY STANDARDS (SPES) FOUND ON WWW.SAMTEC.COM.

DO NOT SCALE FROM THIS PRINT



BY SIGNING THIS DOCUMENT YOU ARE ACCEPTING THE CONDITIONS SET WITHIN. YOUR REQUIREMENTS MUST BE LISTED WITHIN THIS DRAWING. WHERE NO DIRECTION FROM THE CUSTOMER IS IDENTIFIED SAMTEC'S PROCESS REQUIREMENTS WILL BE USED.

DATE: _____
 COMPANY: _____
 CUSTOMER SIGNATURE: _____
 PRINTED NAME: _____
 PHONE NO: _____
 EXCEPTIONS: _____



SPECIFICATIONS:
 ELECTRICAL RATINGS

IMPEDANCE	50 Ω
FREQUENCY RANGE	DC ~ 67 GHz
V.S.W.R.	1.35 MAX @ 67 GHz
INSERTION LOSS	≤ 0.98dB @ 67 GHz
WORKING VOLTAGE (AT SEA LEVEL)	400 V RMS MAX
DIELECTRIC WITHSTANDING VOLTAGE (AT SEA LEVEL)	500V RMS MIN
CONTACT RESISTANCE:	
CENTER CONTACT	6 mΩ MAX
OUTER CONTACT	2 mΩ MAX
INSULATION RESISTANCE	5000 MΩ MIN
TEMPERATURE RANGE	-55°C TO +85°C
DURABILITY	≥ 500 CYCLES

UNLESS OTHERWISE SPECIFIED, DIMENSIONS ARE IN MILLIMETERS. TOLERANCES ARE: DECIMALS ANGLES .XX: ± 0.10[.004] .XXX: ± 0.05[.002]	PROPRIETARY NOTE THIS DOCUMENT CONTAINS CONFIDENTIAL AND PROPRIETARY INFORMATION AND ALL DESIGN, MANUFACTURING, REPRODUCTION, USE, PATENT RIGHTS AND SALES RIGHTS ARE EXPRESSLY RESERVED BY SAMTEC, INC. THIS DOCUMENT SHALL NOT BE DISCLOSED, IN WHOLE OR PART, TO ANY UNAUTHORIZED PERSON OR ENTITY NOR REPRODUCED, TRANSFERRED OR INCORPORATED IN ANY OTHER PROJECT IN ANY MANNER WITHOUT THE EXPRESS WRITTEN CONSENT OF SAMTEC, INC.	520 PARK EAST BLVD, NEW ALBANY, IN 47150 PHONE: 812-944-6733 FAX: 812-948-5047 e-Mail: info@SAMTEC.com code 55322
DESCRIPTION: 1.85MM JACK, 30 DEG ANGLE LAUNCH (SOLDERLESS) PCB CONNECTOR, WITH 0.010" PIN		DWG. NO. RSP-228916-01
BY: TOBIN Q 9/6/2022 SHEET 1 OF 1		

ITEM NO.	PART NUMBER	QTY
1	RSP-228916-01	1.0000