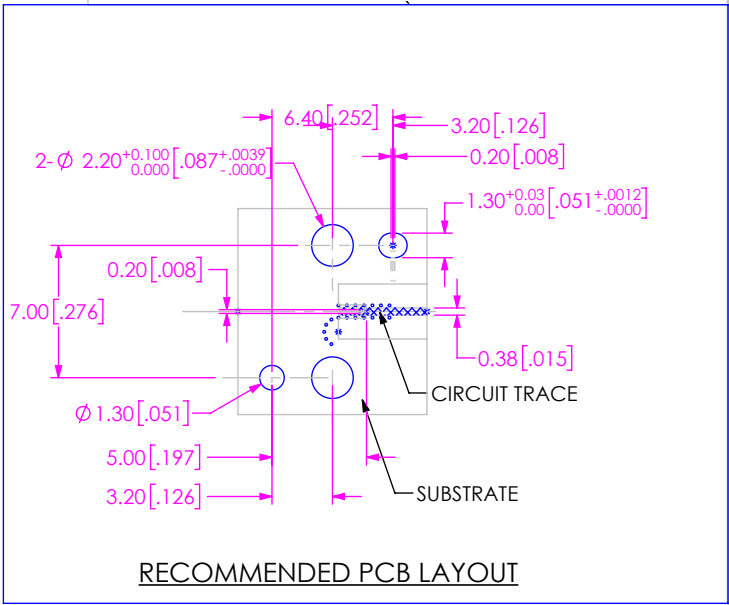
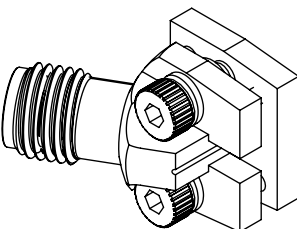
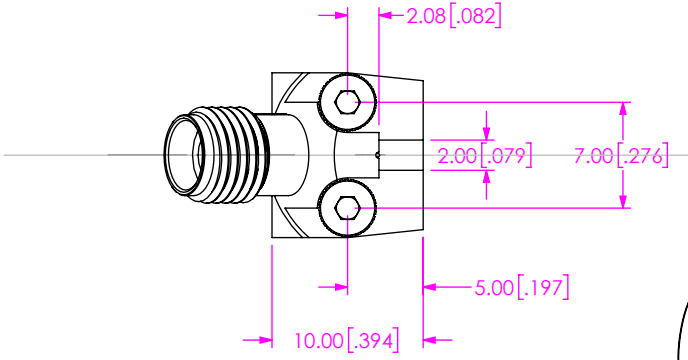


- NOTES:  
 1. 2.92MM STR JACK ANGLED EDGELAUNCH NOT AVAILABLE AS STANDARD.  
 2.  $\text{\textcircled{C}}$  REPRESENTS A CRITICAL DIMENSION.  
 3. PROTECTION CAP MUST BE INSTALLED BEFORE PACKING.  
 4. PART IS RoHS COMPLIANT.  
 5. PARTS TO BE PACKAGED IN TRAYS.  
 6. ORDERS WILL BE PACKAGED ACCORDING TO THE SAMTEC PACKAGING EFFICIENCY STANDARDS (SPES) FOUND ON WWW.SAMTEC.COM.

DO NOT SCALE FROM THIS PRINT

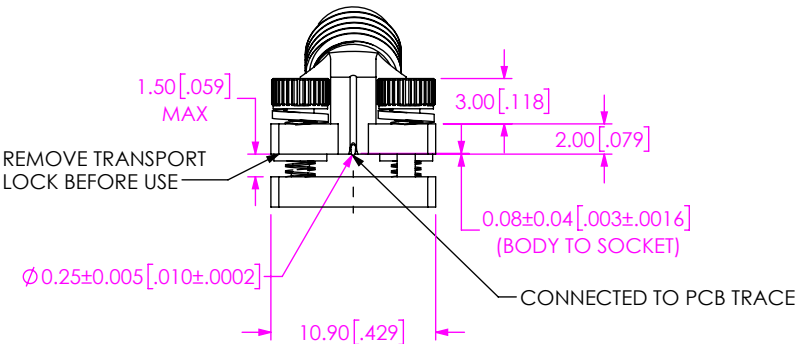
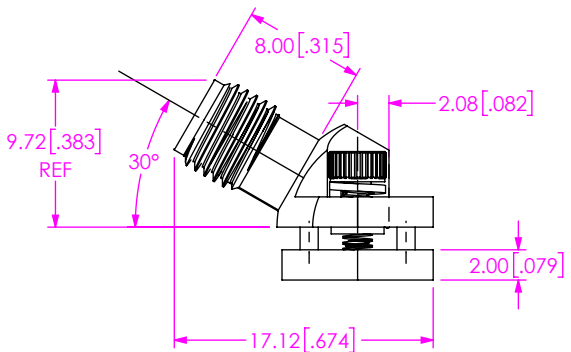
DESIGNED & DIMENSIONED IN MILLIMETERS [INCHES]



RECOMMENDED PCB LAYOUT


BY SIGNING THIS DOCUMENT YOU ARE ACCEPTING THE CONDITIONS SET WITHIN. YOUR REQUIREMENTS MUST BE LISTED WITHIN THIS DRAWING. WHERE NO DIRECTION FROM THE CUSTOMER IS IDENTIFIED SAMTEC'S PROCESS REQUIREMENTS WILL BE USED.

DATE: \_\_\_\_\_  
 COMPANY: \_\_\_\_\_  
 CUSTOMER SIGNATURE: \_\_\_\_\_  
 PRINTED NAME: \_\_\_\_\_  
 PHONE NO: \_\_\_\_\_  
 EXCEPTIONS: \_\_\_\_\_



SPECIFICATIONS:  
ELECTRICAL RATINGS

IMPEDANCE	50 Ω
FREQUENCY RANGE	DC ~ 40 GHz
V.S.W.R.	1.30 MAX @ 40 GHz
INSERTION LOSS	≤ 0.76dB @ 40 GHz
WORKING VOLTAGE (AT SEA LEVEL)	400 V RMS MAX
DIELECTRIC WITHSTANDING VOLTAGE (AT SEA LEVEL)	500V RMS MIN
CONTACT RESISTANCE:	
CENTER CONTACT	1.5 mΩ MAX
OUTER CONTACT	.8 mΩ MAX
INSULATION RESISTANCE	5000 MΩ MIN
TEMPERATURE RANGE	-55°C TO +85°C
DURABILITY	≥ 500 CYCLES

UNLESS OTHERWISE SPECIFIED, DIMENSIONS ARE IN MILLIMETERS. TOLERANCES ARE: DECIMALS            ANGLES .XX: ± 0.30            2° .XXX: ± 0.10	* PROPRIETARY NOTE * THIS DOCUMENT CONTAINS CONFIDENTIAL AND PROPRIETARY INFORMATION AND ALL DESIGN, MANUFACTURING, REPRODUCTION, USE, PATENT RIGHTS AND SALES RIGHTS ARE EXPRESSLY RESERVED BY SAMTEC, INC. THIS DOCUMENT SHALL NOT BE DISCLOSED, IN WHOLE OR PART, TO ANY UNAUTHORIZED PERSON OR ENTITY NOR REPRODUCED, TRANSFERRED OR INCORPORATED IN ANY OTHER PROJECT IN ANY MANNER WITHOUT THE EXPRESS WRITTEN CONSENT OF SAMTEC, INC.	 520 PARK EAST BLVD, NEW ALBANY, IN 47150 PHONE: 812-944-6733    FAX: 812-948-5047 e-Mail: info@SAMTEC.com    code 55322
PLATING:	DESCRIPTION: 2.92MM ST JACK ANGLED EDGE LAUNCH (SOLDERLESS) PCB CONNECTOR	DWG. NO.            RSP-228916-03
BY: T BEHAGG    01/18/24	SHEET 1 OF 1	F:\DWG\MISC\MKTG\RSP-228916-03-MKT.SLDDRW

ITEM NO.	PART NUMBER	QTY
1	RSP-228916-03	1.000