

**DESIGNED & DIMENSIONED
IN MILLIMETERS[INCHES]**

SCPFE-XX-X-XX-XX

DO NOT
SCALE FROM
THIS PRINT

SIZE

-17

POLARIZATION OPTION

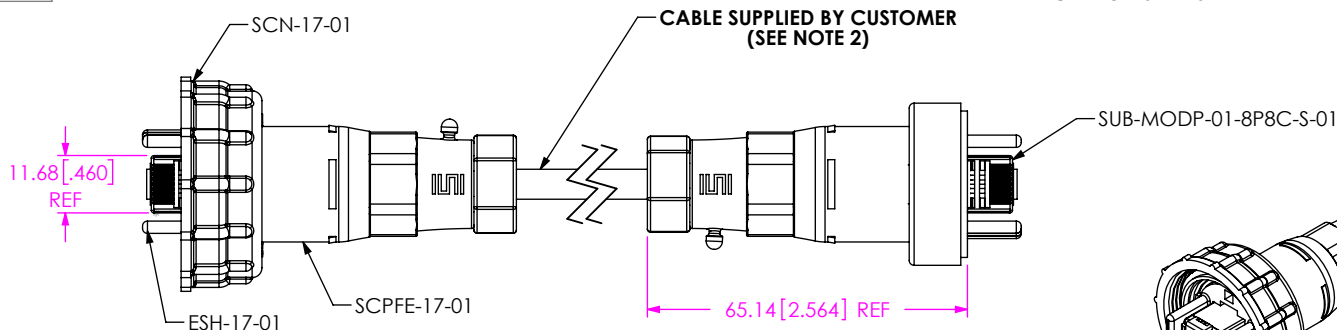
-NP: NO POLARIZATION (SEE FIG 3, SHT 3)
(MUST SELECT -NP OPTION TO
MATES WITH SCRES-X-XX.XX-XX-C5E)

PLATING SPECIFICATION

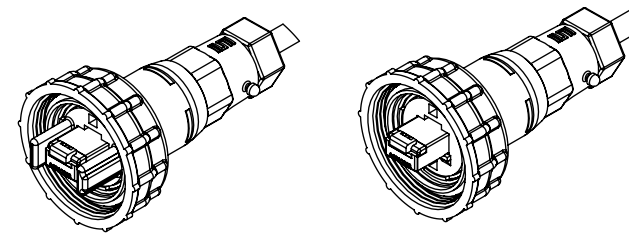
-G: .000050" GOLD ON
CONTACT AREAS,
NICKEL ON SHELLS

STYLE

-01: FOR CABLE OD RANGE OF
5.00-5.75MM (SEE TABLE 3)
-02: FOR CABLE OD RANGE OF
5.75-6.50MM (SEE TABLE 3)



(EXPLODED VIEW SHOWN ON SHEET 2)



SCPFE-17-G-XX SHOWN

SCPFE-17-G-XX-NP SHOWN

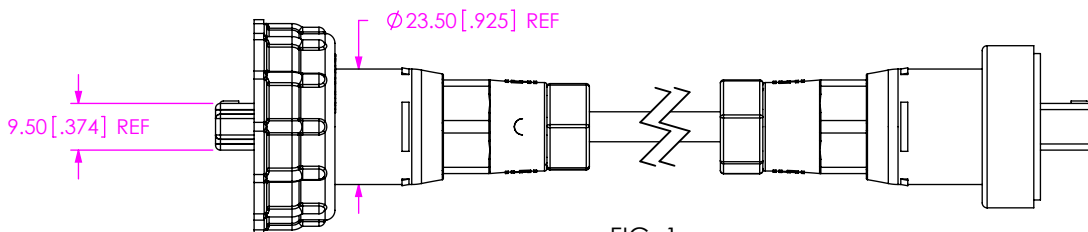
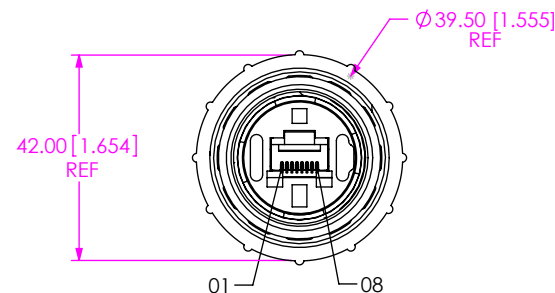


FIG. 1
SCPFE-17-G-XX SHOWN
(SEE FIG. 2 ON SHEET 2 FOR EXPLODED VIEW)



PART NUMBER	ITEM	MATERIAL	QTY
SCN-17-01	PANEL MOUNT NUT	NYLON	1
SUB-MODP-01-8P8C-S-01	ETHERNET PLUG	RJ45	1
SCN-17-02	CABLE NUT	NYLON	1
SCN-17-03	ETHERNET NUT	NYLON	1
ESH-17-XX	ETHERNET SHROUD	NYLON	1
SCPFE-17-01	HOUSING	NYLON	1
NCC-17-01	COMPRESSION CAGE	NYLON	1
SG-17-XX (SEE TABLE 3)	SEALING GLAND	NEOPRENE	1
SCPFE-TOOL-01	ETHERNET TOOL	ABS	1
ITEM DELETED			

STYLE	COLOR	SG-17-XX
-01	YELLOW	SG-17-01
-02	ORANGE	SG-17-02

NOTES:

1. RECOMMENDED CABLE SHOULD BE CAT5E W/ A CABLE DIAMETER RANGE OF 5.0-6.5MM.
2. KIT TO BE SHIPPED IN HEAT-SEALED, PINK POLY BAGS. SEE TABLE 1 FOR BILL OF MATERIALS
3. TORQUE SPECIFICATION FOR SCN-17-01 IS 12 IN-LBS.

UNLESS OTHERWISE SPECIFIED,
DIMENSIONS ARE IN MM.
TOLERANCES ARE:
DECIMALS ANGLES
.X: ±.25[.01] 2°
.XX: ±.08[.003]
.XXX: ±.050[.002]

PROPRIETARY NOTE
THIS DOCUMENT CONTAINS CONFIDENTIAL AND
PROPRIETARY INFORMATION AND ALL DESIGN,
MANUFACTURING, REPRODUCTION, USE, PATENT RIGHTS
AND SALES RIGHTS ARE EXPRESSLY RESERVED BY SAMTEC,
INC. THIS DOCUMENT SHALL NOT BE DISCLOSED, IN WHOLE
OR PART, TO ANY UNAUTHORIZED PERSON OR ENTITY NOR
REPRODUCED, TRANSFERRED OR INCORPORATED IN ANY
OTHER PROJECT IN ANY MANNER WITHOUT THE EXPRESS
WRITTEN CONSENT OF SAMTEC, INC.



520 PARK EAST BLVD, NEW ALBANY, IN 47150
PHONE: 812-944-6733 FAX: 812-948-5047
e-Mail: info@SAMTEC.com code: 55322

MATERIAL: DO NOT SCALE DRAWING SHEET SCALE: 2:1
(SEE TABLE 1)

DESCRIPTION:
SEALED CIRCULAR CABLE PLUG, FIELD TERMINATED ETHERNET
DWG. NO.

SCPFE-XX-X-XX-XX

BY: B.HARPENAU 3/29/2006 SHEET 1 OF 3

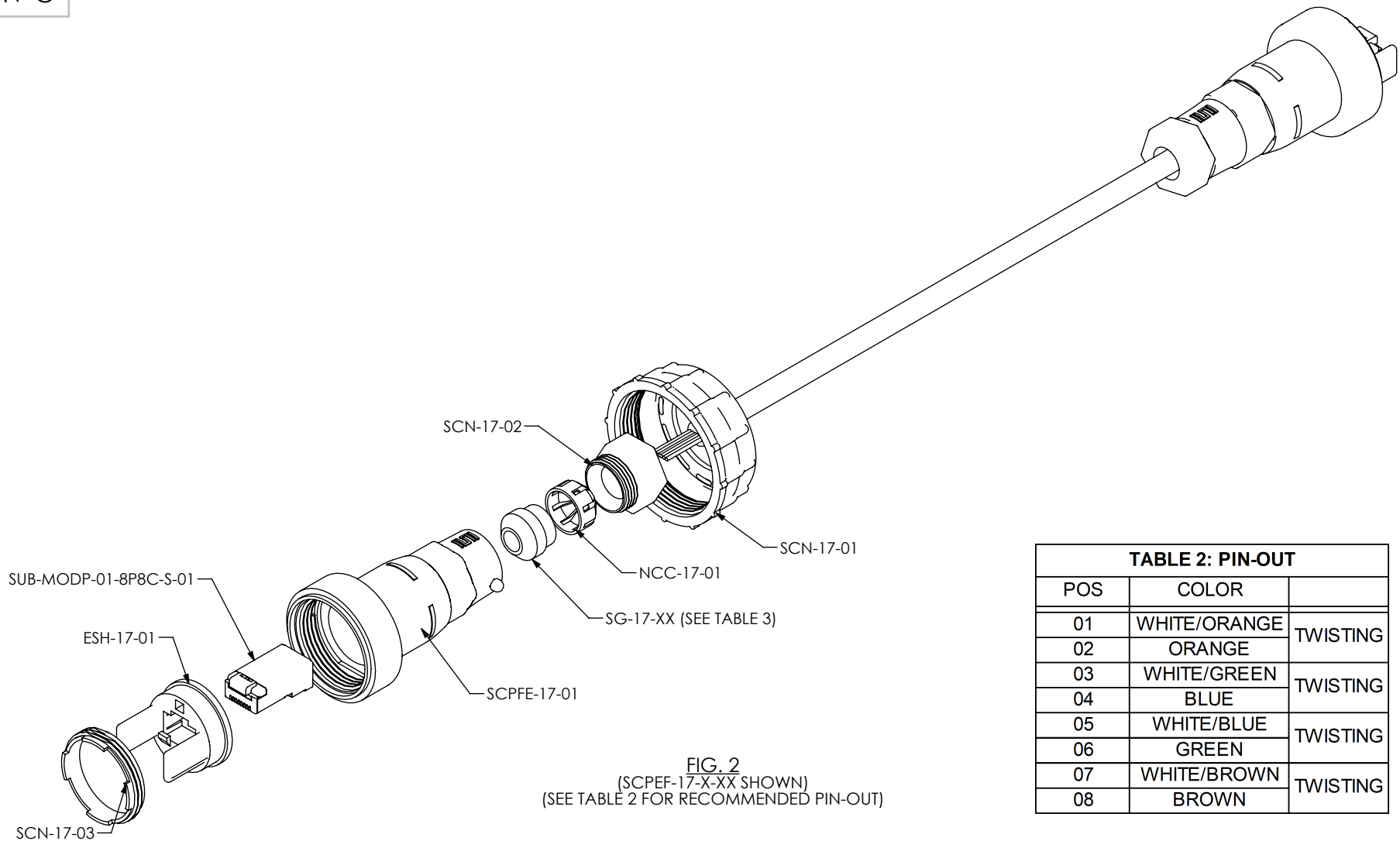


FIG. 2
 (SCPEF-17-X-XX SHOWN)
 (SEE TABLE 2 FOR RECOMMENDED PIN-OUT)

TABLE 2: PIN-OUT		
POS	COLOR	
01	WHITE/ORANGE	TWISTING
02	ORANGE	
03	WHITE/GREEN	TWISTING
04	BLUE	
05	WHITE/BLUE	TWISTING
06	GREEN	
07	WHITE/BROWN	TWISTING
08	BROWN	

PROPRIETARY NOTE
 THIS DOCUMENT CONTAINS CONFIDENTIAL AND PROPRIETARY INFORMATION AND ALL DESIGN, MANUFACTURING, REPRODUCTION, USE, PATENT RIGHTS AND SALES RIGHTS ARE EXPRESSLY RESERVED BY SAMTEC, INC. THIS DOCUMENT SHALL NOT BE DISCLOSED, IN WHOLE OR PART, TO ANY UNAUTHORIZED PERSON OR ENTITY NOR REPRODUCED, TRANSFERRED OR INCORPORATED IN ANY OTHER PROJECT IN ANY MANNER WITHOUT THE EXPRESS WRITTEN CONSENT OF SAMTEC, INC.

DO NOT SCALE DRAWING
 SHEET SCALE: 1:1



520 PARK EAST BLVD, NEW ALBANY, IN 47150
 PHONE: 812-944-6733 FAX: 812-948-5047
 e-Mail: info@SAMTEC.com code: 55322

DESCRIPTION:
 SEALED CIRCULAR CABLE PLUG, FIELD TERMINATED ETHERNET
 DWG. NO. **SCPFE-XX-X-XX-XX**
 BY: B.HARPENAU 3/29/2006 SHEET 2 OF 3

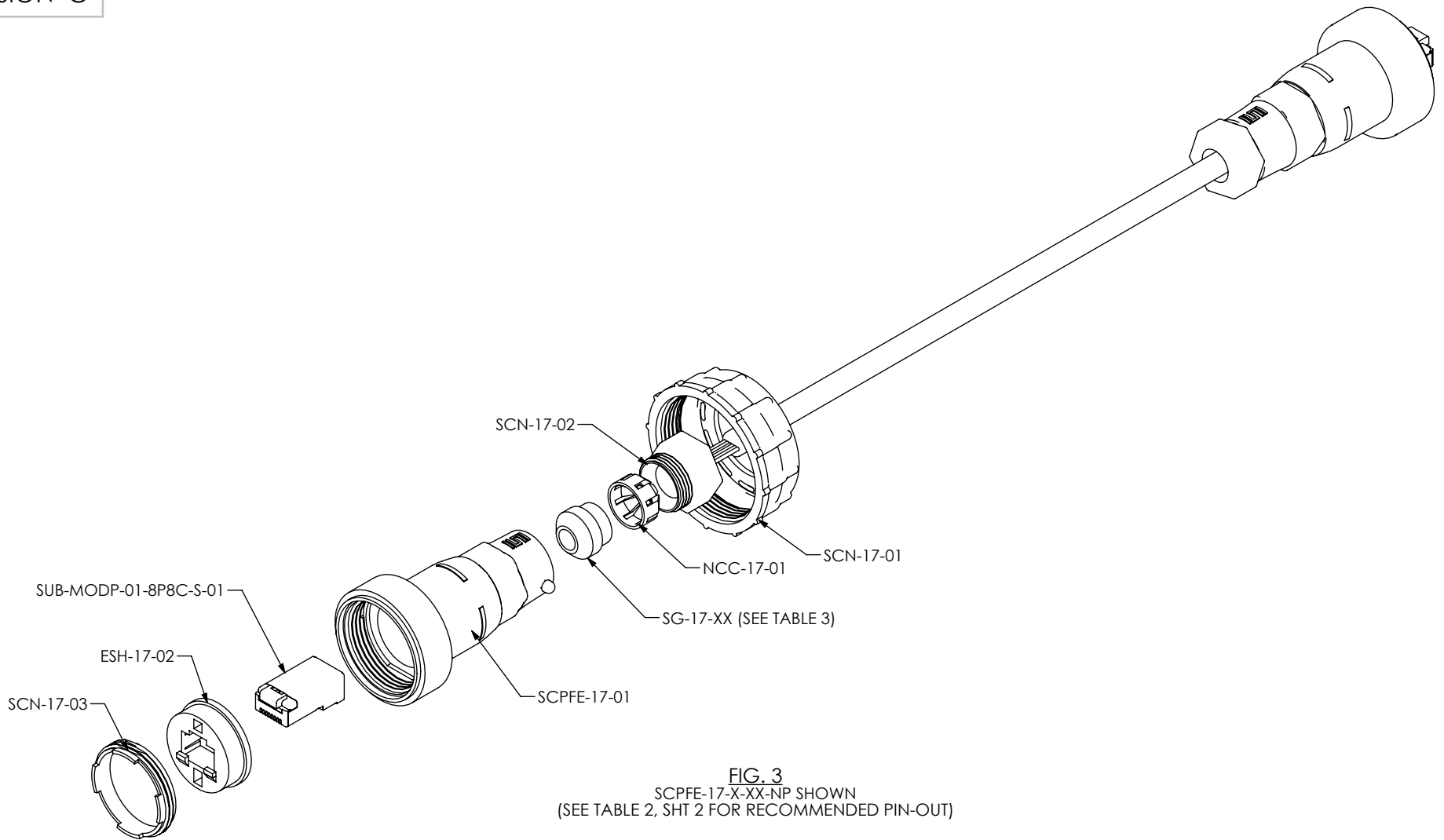


FIG. 3
 SCPFE-17-X-XX-NP SHOWN
 (SEE TABLE 2, SHT 2 FOR RECOMMENDED PIN-OUT)

PROPRIETARY NOTE
 * THIS DOCUMENT CONTAINS CONFIDENTIAL AND PROPRIETARY INFORMATION AND ALL DESIGN, MANUFACTURING, REPRODUCTION, USE, PATENT RIGHTS AND SALES RIGHTS ARE EXPRESSLY RESERVED BY SAMTEC, INC. THIS DOCUMENT SHALL NOT BE DISCLOSED, IN WHOLE OR PART, TO ANY UNAUTHORIZED PERSON OR ENTITY NOR REPRODUCED, TRANSFERRED OR INCORPORATED IN ANY OTHER PROJECT IN ANY MANNER WITHOUT THE EXPRESS WRITTEN CONSENT OF SAMTEC, INC.

DO NOT SCALE DRAWING

SHEET SCALE: 1:1

samtec

520 PARK EAST BLVD, NEW ALBANY, IN 47150
 PHONE: 812-944-6733 FAX: 812-948-5047
 e-Mail: info@SAMTEC.com code: 55322

DESCRIPTION:
 SEALED CIRCULAR CABLE PLUG, FIELD TERMINATED ETHERNET

DWG. NO. **SCPFE-XX-X-XX-XX**

BY: B.HARPENAU 3/29/2006 SHEET 3 OF 3