

DO NOT SCALE FROM THIS PRINT

DESIGNED & DIMENSIONED IN MILLIMETERS [INCHES]

SMA-J-C-X-ST-SR2

GENDER
-J: JACK

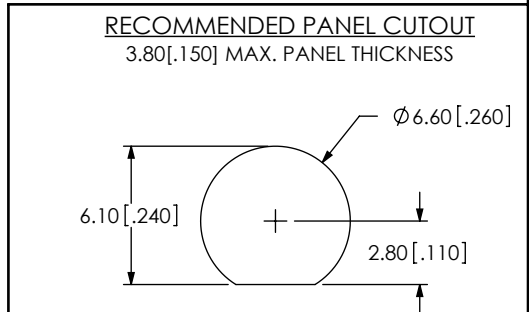
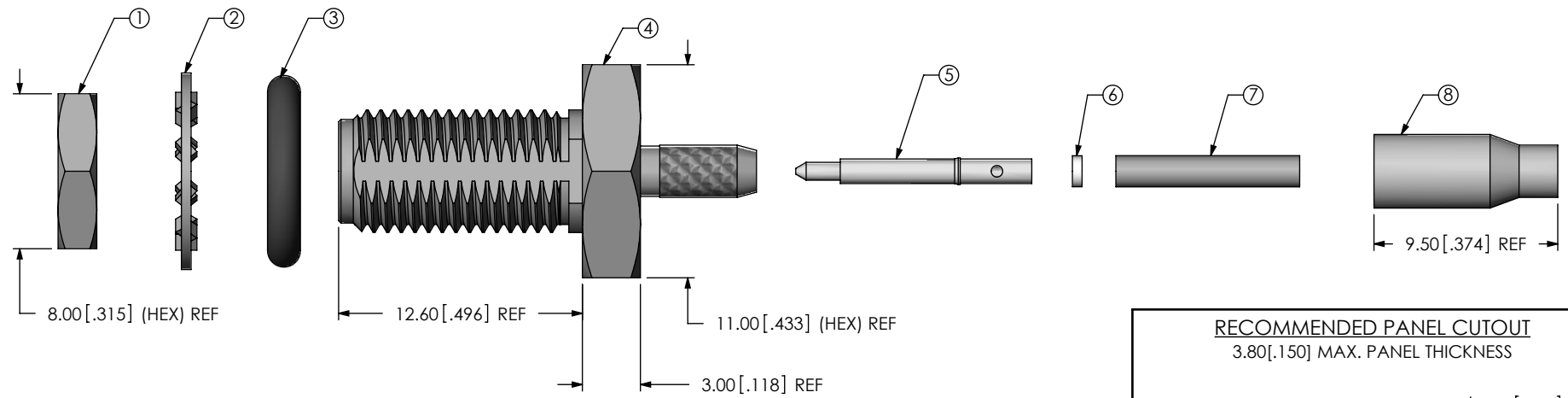
TYPE
-C: CABLE

TERMINATION
-SR2: SEALED REVERSE POLARITY BULKHEAD (RG178)

ORIENTATION
-ST: STRAIGHT

PLATING SPECIFICATION
-H: HEAVY GOLD
30μ" GOLD CENTER CONTACT,
3μ" GOLD OUTER CONTACT
(SEE TABLE 1)

TABLE 1		
ITEM	COMPONENT	-H
1	NUT	SMA-NUT-001-F
2	LOCK WASHER	SMA-LWAS-001-F
3	GASKET	SMA-GKT-002
4	SUB-ASSEMBLY	SUB-SMA-J-C-F-ST-SB1
5	PIN	SMA-PIN-005-H
6	INSULATOR	SMA-INS-001
7	INNER FERRULE	SMA-FER-003-N
8	OUTER FERRULE	MCX-FER-004-F



- NOTES:
- NOTE DELETED.
 - NOTE DELETED.
 - PRODUCT TO BE BULK PACKAGED PER PACKAGING STANDARD CO-RF-WI-3040-M.
 - NOTE DELETED.

UNLESS OTHERWISE SPECIFIED, DIMENSIONS ARE IN MILLIMETERS. TOLERANCES ARE:

DECIMALS	ANGLES
X.X: ±0.3 [.01]	5°
X.XX: ±0.13 [.005]	
X.XXX: ±0.051 [.0020]	

PROPRIETARY NOTE
THIS DOCUMENT CONTAINS CONFIDENTIAL AND PROPRIETARY INFORMATION AND ALL DESIGN, MANUFACTURING, REPRODUCTION, USE, PATENT RIGHTS AND SALES RIGHTS ARE EXPRESSLY RESERVED BY SAMTEC, INC. THIS DOCUMENT SHALL NOT BE DISCLOSED, IN WHOLE OR PART, TO ANY UNAUTHORIZED PERSON OR ENTITY NOR REPRODUCED, TRANSFERRED OR INCORPORATED IN ANY OTHER PROJECT IN ANY MANNER WITHOUT THE EXPRESS WRITTEN CONSENT OF SAMTEC, INC.

samtec

520 PARK EAST BLVD, NEW ALBANY, IN 47150
PHONE: 812-944-6733 FAX: 812-948-5047
e-Mail info@SAMTEC.com code 55322

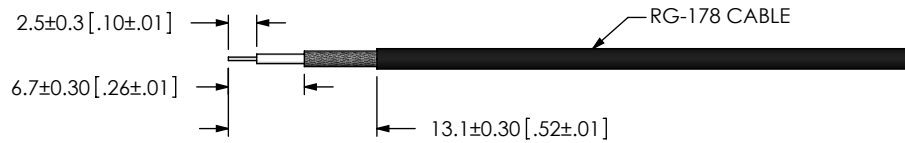
MATERIAL: DO NOT SCALE DRAWING SHEET SCALE: 3:1

PIN: BeCu
BODY: PHOS BRONZE
INSULATOR: PTFE

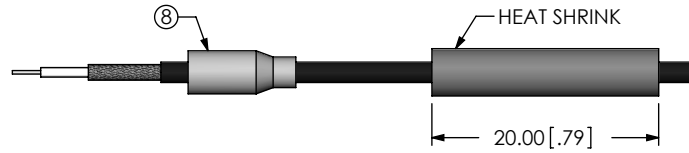
DESCRIPTION: 50 OHM, SMA STRAIGHT SEALED JACK REVERSE POLARITY BULKHEAD RG178

DWG. NO. **SMA-J-C-X-ST-SR2**

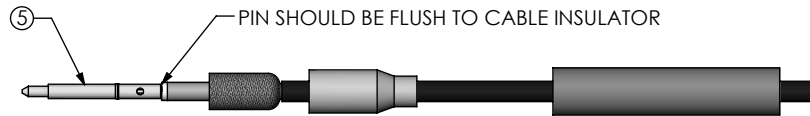
BY: R MUSSER 04/05/2009 SHEET 1 OF 2



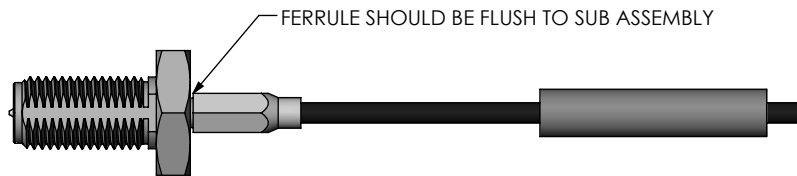
IN PROCESS 1
STRIP CABLE AND TIN INNER
CONDUCTOR



IN-PROCESS 2
ADD HEAT SHRINK
TUBING & OUTER FERRULE



IN-PROCESS 3
FLARE SHIELD, ADD INNER
FERRULE & INSULATOR
SOLDER SIGNAL PIN



IN-PROCESS 4
ADD SUB ASSEMBLY
CRIMP FERRULE
(USE CRIMP HAND TOOL #CAT-RF-FER-001
AND 0.136" INCH DIE SIZE)



IN PROCESS 5
ACTIVATE HEAT SHRINK TUBING
& ADD GASKET

F:\DWG\MISC\MKTG\SMA-J-C-X-ST-SR2-MKT.SLDDRW

PROPRIETARY NOTE
THIS DOCUMENT CONTAINS CONFIDENTIAL AND PROPRIETARY INFORMATION AND ALL DESIGN, MANUFACTURING, REPRODUCTION, USE, PATENT RIGHTS AND SALES RIGHTS ARE EXPRESSLY RESERVED BY SAMTEC, INC. THIS DOCUMENT SHALL NOT BE DISCLOSED, IN WHOLE OR PART, TO ANY UNAUTHORIZED PERSON OR ENTITY NOR REPRODUCED, TRANSFERRED OR INCORPORATED IN ANY OTHER PROJECT IN ANY MANNER WITHOUT THE EXPRESS WRITTEN CONSENT OF SAMTEC, INC.

DO NOT SCALE DRAWING

SHEET SCALE: 3:2



520 PARK EAST BLVD, NEW ALBANY, IN 47150
PHONE: 812-944-6733 FAX: 812-948-5047
e-Mail info@SAMTEC.com code 55322

DESCRIPTION: 50 OHM, SMA STRAIGHT SEALED JACK
REVERSE POLARITY BULKHEAD RG178

DWG. NO. SMA-J-C-X-ST-SR2

BY: R MUSSER 04/05/2009 SHEET 2 OF 2