

DESIGNED & DIMENSIONED
IN MILLIMETERS [INCHES]

DO NOT
SCALE FROM
THIS PRINT

SMA-J-C-XX-ST-B10

- GENDER
-J: JACK
- TYPE
-C: CABLE
- TERMINATION
-B10: BULKHEAD
(RG58 CABLE)
- ORIENTATION
-ST: STRAIGHT
- PLATING SPECIFICATION
-H: 30μ" GOLD CENTER CONTACT
3μ" MIN ON OUTER CONTACT
-GF: 10μ" GOLD ON CENTER CONTACT
3μ" GOLD ON OUTER CONTACT

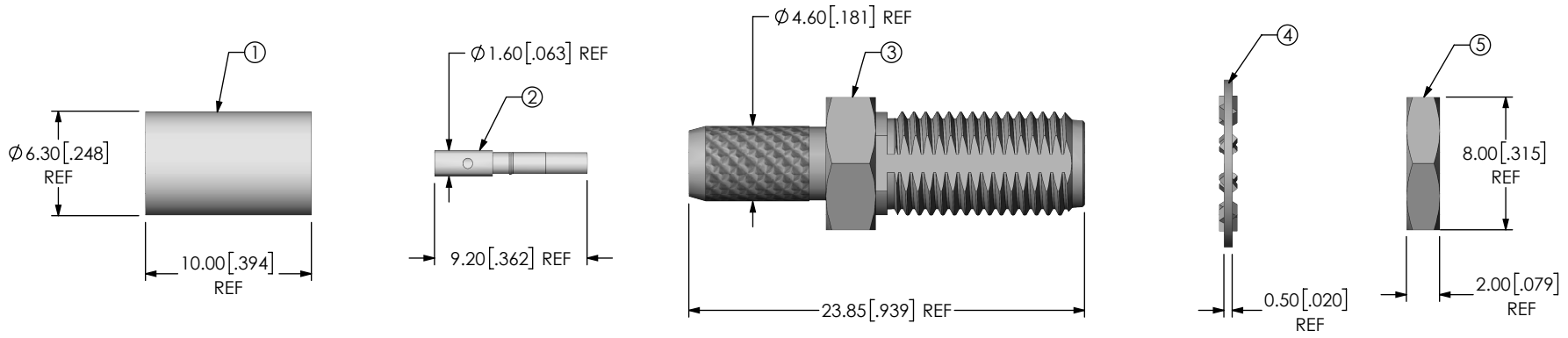
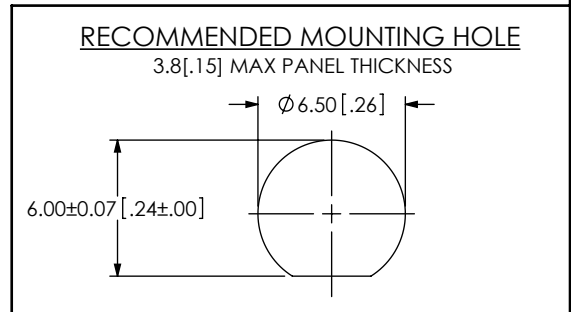


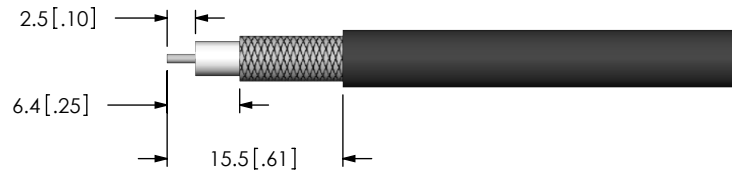
TABLE 1

ITEM	COMPONENT	-H	-GF
1	FERRULE	TNC-FER-003-F	
2	PIN	SMA-J-C-H-ST-B10-SKT	SMA-J-C-G-ST-B10-SKT
3	SUB ASSEMBLY	SUB-SMA-J-C-F-ST-B10	
4	LOCK WASHER	SMA-LWAS-001-F	
5	HEXNUT	SMA-NUT-001-F	

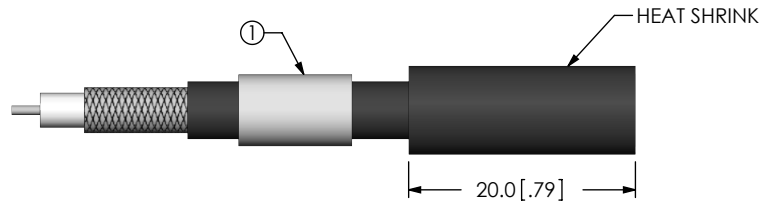


- NOTES:
- NOTE DELETED.
 - NOTE DELETED.
 - PRODUCT TO BE PACKAGED PER PACKAGING STANDARD CO-RF-WI-3040M.
 - NOTE DELETED.
 - NOTE DELETED.
 - NOTE DELETED.

<p>UNLESS OTHERWISE SPECIFIED, DIMENSIONS ARE IN MILLIMETERS [INCHES]. TOLERANCES ARE:</p> <p>DECIMALS ANGLES</p> <p>.X: ±0.3 [0.1] 5°</p> <p>.XX: ±0.13 [0.05]</p> <p>.XXX: ±0.051 [0.020]</p>	<p>PROPRIETARY NOTE</p> <p>THIS DOCUMENT CONTAINS CONFIDENTIAL AND PROPRIETARY INFORMATION AND ALL DESIGN, MANUFACTURING, REPRODUCTION, USE, PATENT RIGHTS AND SALES RIGHTS ARE EXPRESSLY RESERVED BY SAMTEC, INC. THIS DOCUMENT SHALL NOT BE DISCLOSED, IN WHOLE OR PART, TO ANY UNAUTHORIZED PERSON OR ENTITY NOR REPRODUCED, TRANSFERRED OR INCORPORATED IN ANY OTHER PROJECT IN ANY MANNER WITHOUT THE EXPRESS WRITTEN CONSENT OF SAMTEC, INC.</p>		
		<p>520 PARK EAST BLVD, NEW ALBANY, IN 47150 PHONE: 812-944-6733 FAX: 812-948-5047 e-Mail: info@SAMTEC.com code: 55322</p>	
<p>MATERIAL: DO NOT SCALE DRAWING SHEET SCALE: 3:1</p> <p>BODY, FERRULE, NUT, WASHER: BRASS CONTACT: BeCu DIELECTRIC: PTFE</p>		<p>DESCRIPTION: 50 OHM, SMA STRAIGHT JACK BULKHEAD, RG58</p> <p>DWG. NO. SMA-J-C-XX-ST-B10</p>	
<p>BY: ALVIN W 09/07/2010</p>		<p>SHEET 1 OF 2</p>	



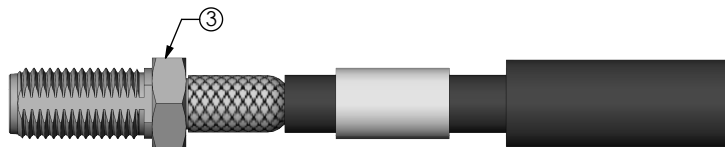
IN PROCESS 1
STRIP CABLE AND TIN INNER CONDUCTOR



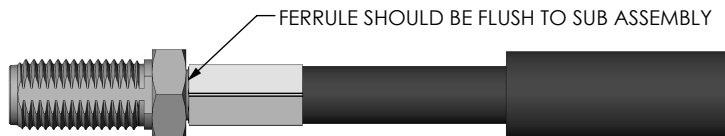
IN PROCESS 2
ADD HEAT SHRINK TUBING AND FERRULE



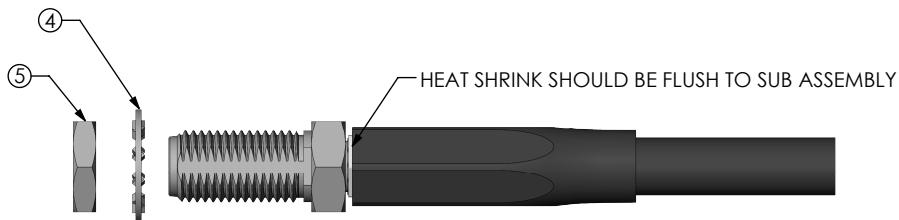
IN PROCESS 3
SOLDER SIGNAL PIN



IN PROCESS 4
FLARE SHIELD AND ADD SUB ASSEMBLY



IN PROCESS 5
CRIMP FERRULE
(USE RF CRIMP HAND TOOL #CAT-RF-FER-001 AND .213" DIE SIZE)



IN PROCESS 6
ACTIVATE HEAT SHRINK TUBING

PROPRIETARY NOTE
* THIS DOCUMENT CONTAINS CONFIDENTIAL AND PROPRIETARY INFORMATION AND ALL DESIGN, MANUFACTURING, REPRODUCTION, USE, PATENT RIGHTS AND SALES RIGHTS ARE EXPRESSLY RESERVED BY SAMTEC, INC. THIS DOCUMENT SHALL NOT BE DISCLOSED, IN WHOLE OR PART, TO ANY UNAUTHORIZED PERSON OR ENTITY NOR REPRODUCED, TRANSFERRED OR INCORPORATED IN ANY OTHER PROJECT IN ANY MANNER WITHOUT THE EXPRESS WRITTEN CONSENT OF SAMTEC, INC.

DO NOT SCALE DRAWING

SHEET SCALE: 3:2



520 PARK EAST BLVD, NEW ALBANY, IN 47150
PHONE: 812-944-6733 FAX: 812-948-5047
e-Mail: info@SAMTEC.com code: 55322

DESCRIPTION:
50 OHM, SMA STRAIGHT JACK BULKHEAD, RG58

DWG. NO.
SMA-J-C-XX-ST-B10

BY: ALVIN W 09/07/2010 SHEET 2 OF 2