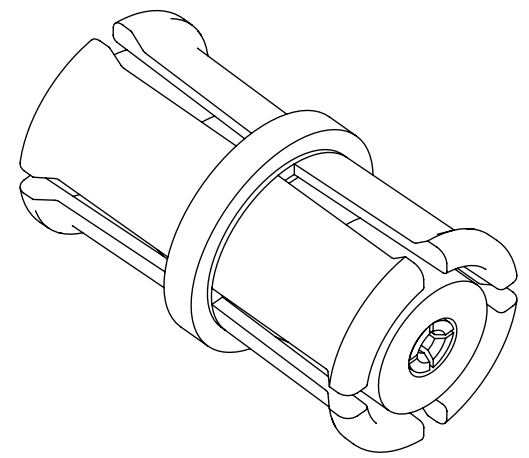
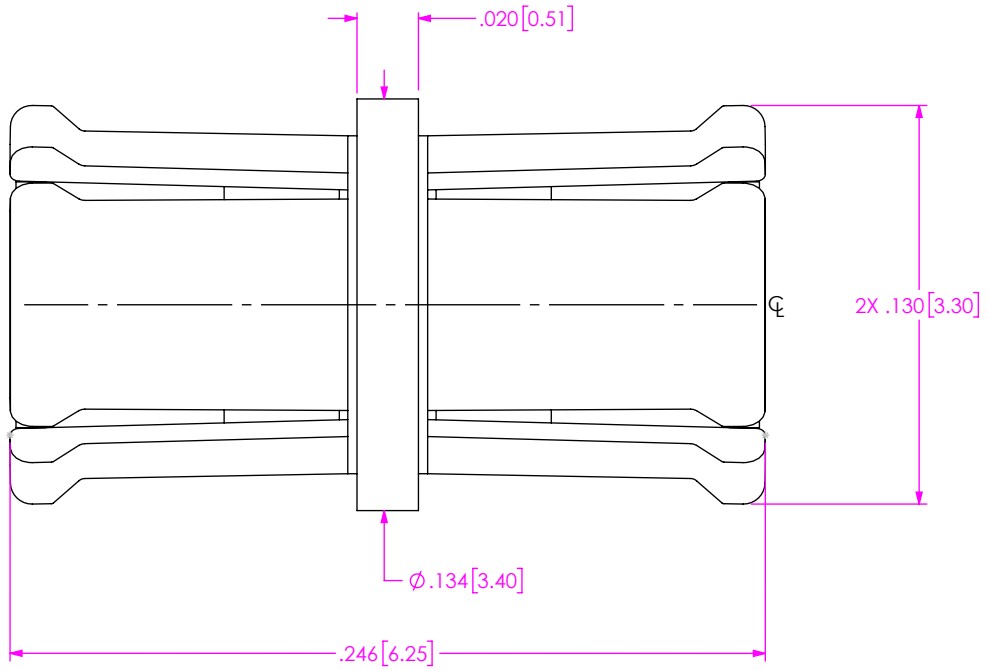


DO NOT  
SCALE FROM  
THIS PRINT

DESIGNED & DIMENSIONED IN INCHES [MILLIMETERS]  
ALL DIMENSIONS REFERENCE EXCEPT AS SHOWN

SMP-J-B-XX-ST-0625

SERIES SMP  
GENDER -J: JACK  
TYPE -B: BULLET  
LENGTH -0625: 6.25MM  
ORIENTATION -ST: STRAIGHT  
FINISH -HG: 30µ" HEAVY GOLD CENTER CONTACT, 10µ" GOLD OUTER BODY



- NOTES:
1. TRAYS TO BE STANDARD PACKAGING.
  2. MATERIAL:  
BODY, CONTACT: BERYLLIUM COPPER.  
BEAD: PTFE.
  3. FINISH:  
BODY: GOLD OVER NICKEL PLATE,  
10 µIN MIN GOLD OVER 50 µIN MIN NICKEL.  
CONTACT: GOLD OVER NICKEL PLATE,  
30 µIN MIN GOLD OVER 50 µIN MIN NICKEL.

<p>PROPRIETARY NOTE</p> <p>THIS DOCUMENT CONTAINS CONFIDENTIAL AND PROPRIETARY INFORMATION AND ALL DESIGN, MANUFACTURING, REPRODUCTION, USE, PATENT RIGHTS AND SALES RIGHTS ARE EXPRESSLY RESERVED BY SAMTEC, INC. THIS DOCUMENT SHALL NOT BE DISCLOSED, IN WHOLE OR PART, TO ANY UNAUTHORIZED PERSON OR ENTITY NOR REPRODUCED, TRANSFERRED OR INCORPORATED IN ANY OTHER PROJECT IN ANY MANNER WITHOUT THE EXPRESS WRITTEN CONSENT OF SAMTEC, INC.</p>	<p>520 PARK EAST BLVD., NEW ALBANY, IN 47150 PHONE: 812-944-6733 FAX: 812-948-5047 e-Mail info@SAMTEC.com code 55322</p>	
	<p>SHEET SCALE: 16:1 DO NOT SCALE DRAWING</p>	<p>DESCRIPTION: SMP BULLETS JACK (6.25 MM)</p>
	<p>DWG. NO. SMP-J-B-XX-ST-0625</p>	<p>BY: WILLY Y      2/23/2022      SHEET 1 OF 1</p>