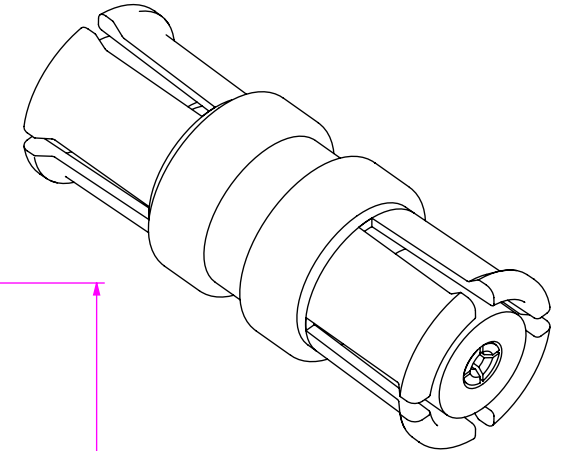
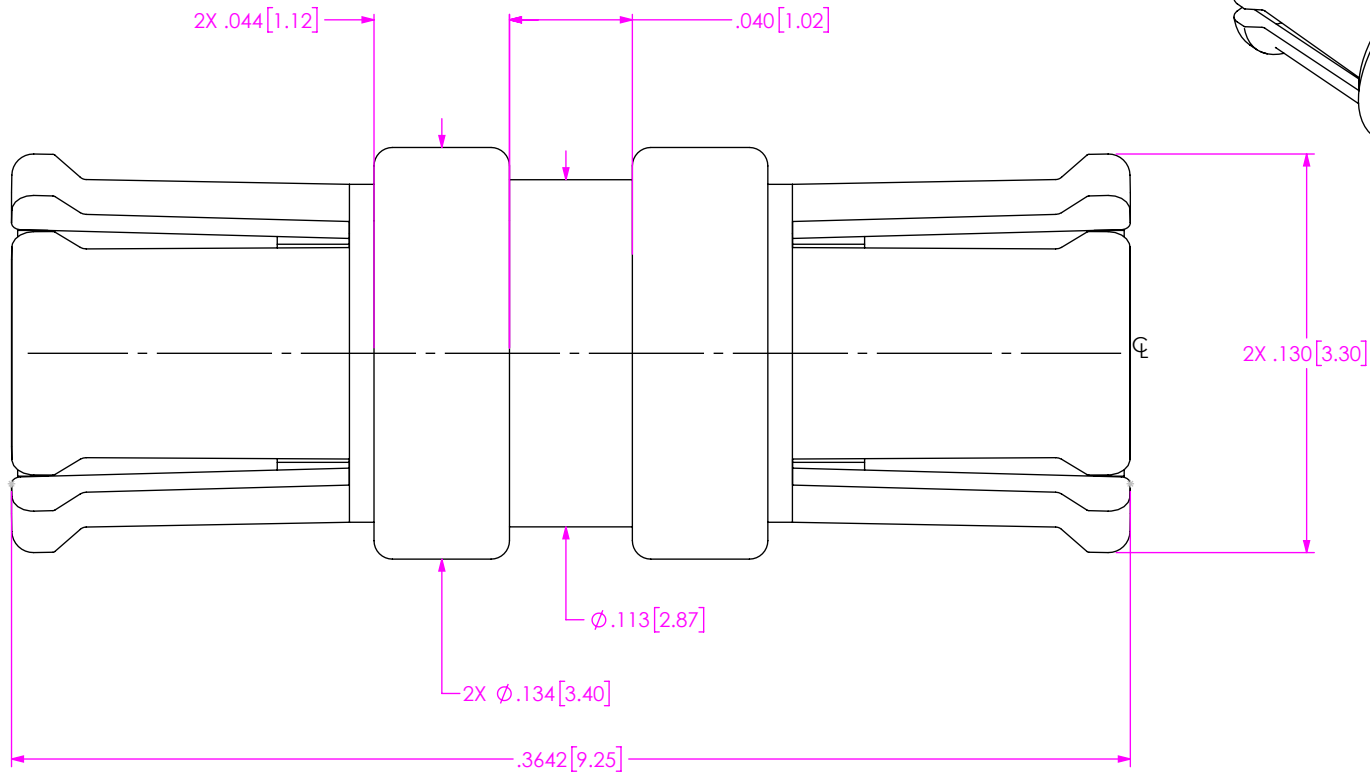


DO NOT
SCALE FROM
THIS PRINT

DESIGNED & DIMENSIONED IN INCHES [MILLIMETERS]
ALL DIMENSIONS REFERENCE EXCEPT AS SHOWN

SMP-J-B-XX-ST-0925

SERIES SMP	LENGTH -0925: 9.25MM
GENDER -J: JACK	ORIENTATION -ST: STRAIGHT
TYPE -B: BULLET	FINISH -HG: 30μ" HEAVY GOLD CENTER CONTACT, 10μ" GOLD OUTER BODY



- NOTES:
1. TRAYS TO BE STANDARD PACKAGING.
 2. MATERIAL:
BODY, CONTACT: BERYLLIUM COPPER.
BEAD: PTFE.
 3. FINISH:
BODY: GOLD OVER NICKEL PLATE,
10 μIN MIN GOLD OVER 50 μIN MIN NICKEL.
CONTACT: GOLD OVER NICKEL PLATE,
30 μIN MIN GOLD OVER 50 μIN MIN NICKEL.

PROPRIETARY NOTE
THIS DOCUMENT CONTAINS CONFIDENTIAL AND PROPRIETARY INFORMATION AND ALL DESIGN, MANUFACTURING, REPRODUCTION, USE, PATENT RIGHTS AND SALES RIGHTS ARE EXPRESSLY RESERVED BY SAMTEC, INC. THIS DOCUMENT SHALL NOT BE DISCLOSED, IN WHOLE OR PART, TO ANY UNAUTHORIZED PERSON OR ENTITY NOR REPRODUCED, TRANSFERRED OR INCORPORATED IN ANY OTHER PROJECT IN ANY MANNER WITHOUT THE EXPRESS WRITTEN CONSENT OF SAMTEC, INC.

SHEET SCALE: 16:1
DO NOT SCALE DRAWING

samtec

520 PARK EAST BLVD., NEW ALBANY, IN 47150
PHONE: 812-944-6733 FAX: 812-948-5047
e-Mail info@SAMTEC.com code 55322

DESCRIPTION: SMP BULLETS JACK (9.25MM)

DWG. NO. SMP-J-B-XX-ST-0925

BY: WILLY Y 3/2/2022 SHEET 1 OF 1