

DO NOT
SCALE FROM
THIS PRINT

**DESIGNED & DIMENSIONED IN INCHES [MILLIMETERS]
ALL DIMENSIONS REFERENCE EXCEPT AS SHOWN**

SMP-J-B-XX-ST-1325

SERIES
SMP

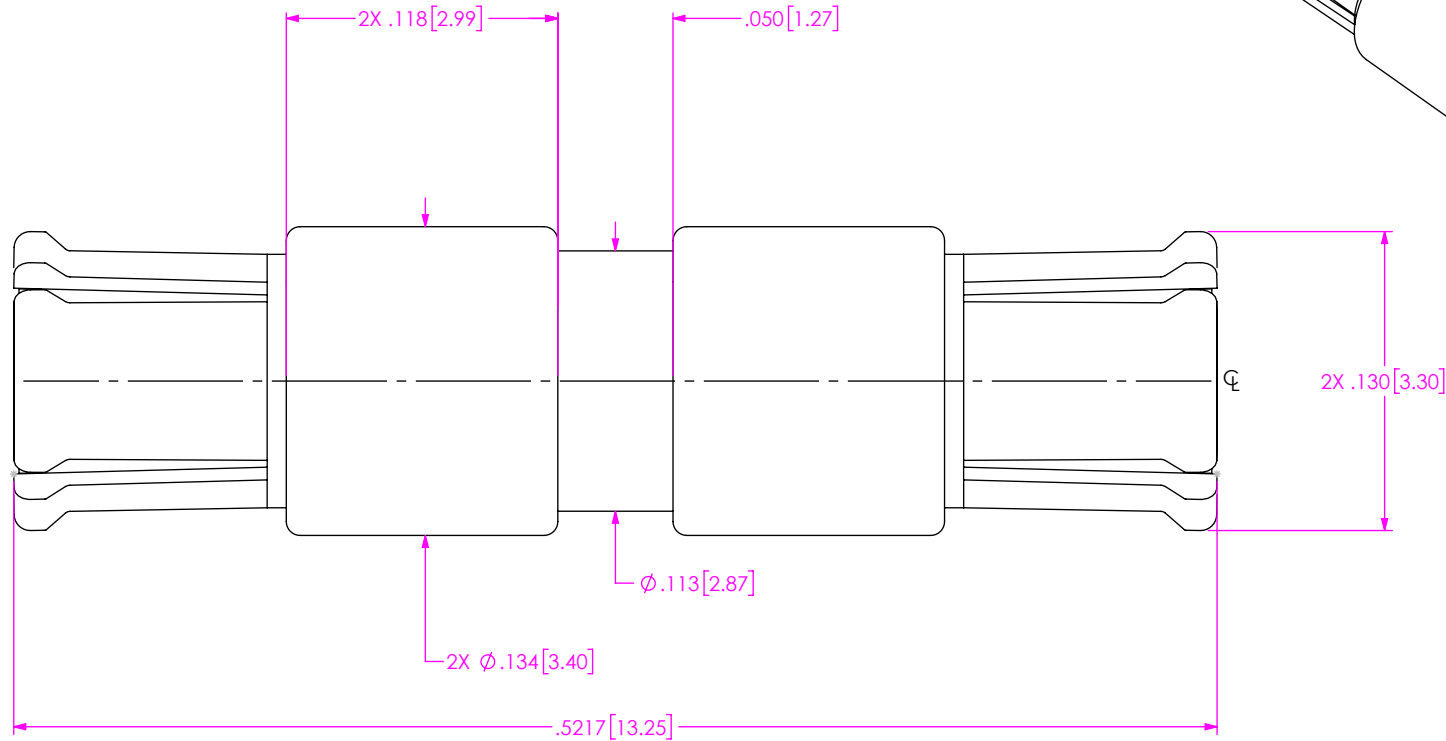
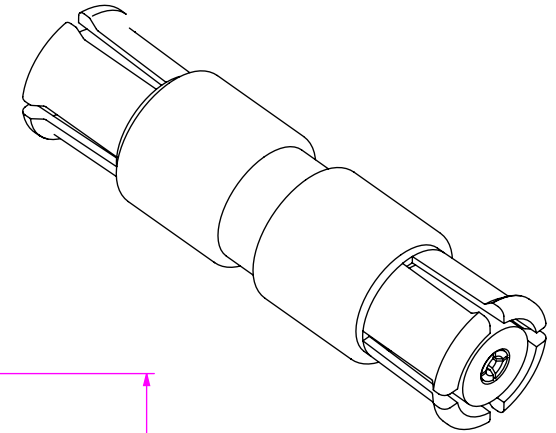
GENDER
-J: JACK

TYPE
-B: BULLET

LENGTH
-1325: 13.25MM

ORIENTATION
-ST: STRAIGHT

FINISH
-HG: 30µ" HEAVY GOLD CENTER CONTACT,
10µ" GOLD OUTER BODY



NOTES:
1. TRAYS TO BE STANDARD PACKAGING.

2. MATERIAL:
BODY, CONTACT: BERYLLIUM COPPER.
BEAD: PTFE.

3. FINISH:
BODY: GOLD OVER NICKEL PLATE,
10 µIN MIN GOLD OVER 50 µIN MIN NICKEL.
CONTACT: GOLD OVER NICKEL PLATE,
30 µIN MIN GOLD OVER 50 µIN MIN NICKEL.

PROPRIETARY NOTE
THIS DOCUMENT CONTAINS CONFIDENTIAL AND PROPRIETARY INFORMATION AND ALL DESIGN, MANUFACTURING, REPRODUCTION, USE, PATENT RIGHTS AND SALES RIGHTS ARE EXPRESSLY RESERVED BY SAMTEC, INC. THIS DOCUMENT SHALL NOT BE DISCLOSED, IN WHOLE OR PART, TO ANY UNAUTHORIZED PERSON OR ENTITY NOR REPRODUCED, TRANSFERRED OR INCORPORATED IN ANY OTHER PROJECT IN ANY MANNER WITHOUT THE EXPRESS WRITTEN CONSENT OF SAMTEC, INC.



520 PARK EAST BLVD., NEW ALBANY, IN 47150
PHONE: 812-944-6733 FAX: 812-948-5047
e-Mail info@SAMTEC.com code 55322

SHEET SCALE: 12:1
DO NOT SCALE DRAWING

DESCRIPTION:
SMP BULLETS JACK (13.25MM)

DWG. NO.
SMP-J-B-XX-ST-1325

BY: WILLY Y 3/2/2022 SHEET 1 OF 1