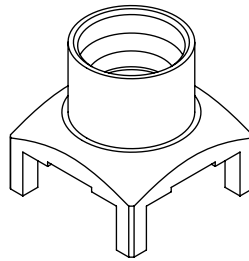


DO NOT
SCALE FROM
THIS PRINT



SMP-PX-P-XX-ST-THX

GENDER
-PF: FULL DETENT
-PL: LIMITED DETENT
-PS: SMOOTH DETENT
-PC: CATCHER'S DETENT

TYPE
-P: PCB

PLATING SPECIFICATION
-HG: 30μ" HEAVY GOLD ON CENTER CONTACT,
10μ" GOLD ON OUTER BODY

OPTION
3: .062" PCB
4: .093" PCB

TERMINATION
-TH: THROUGH HOLE

ORIENTATION
-ST: STRAIGHT

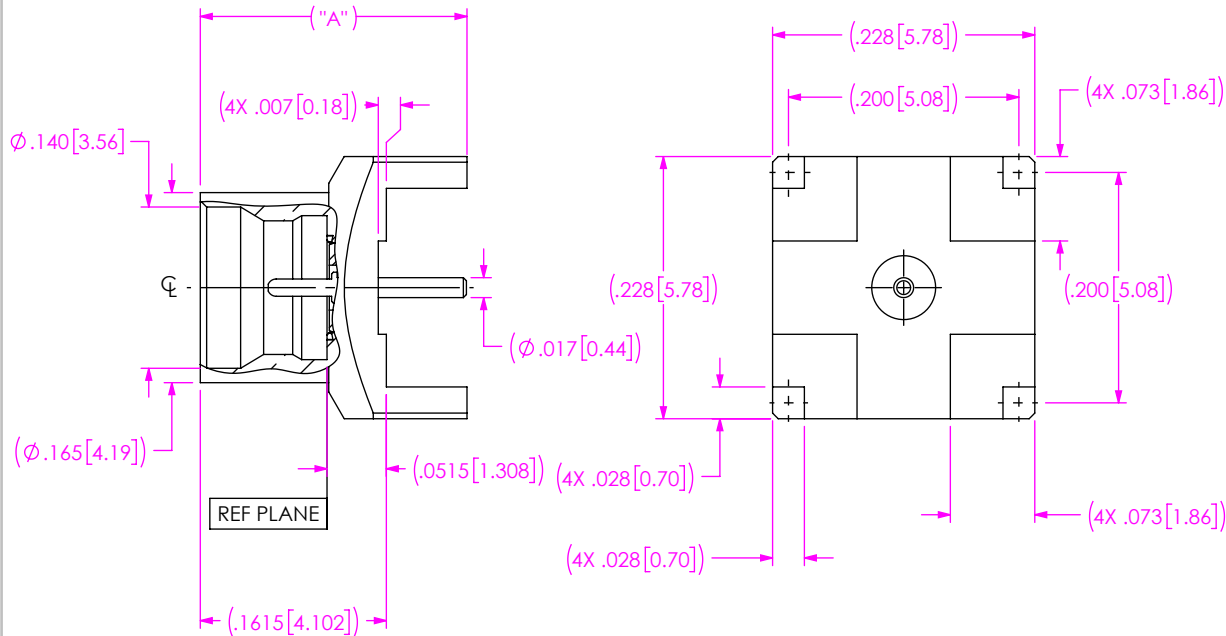
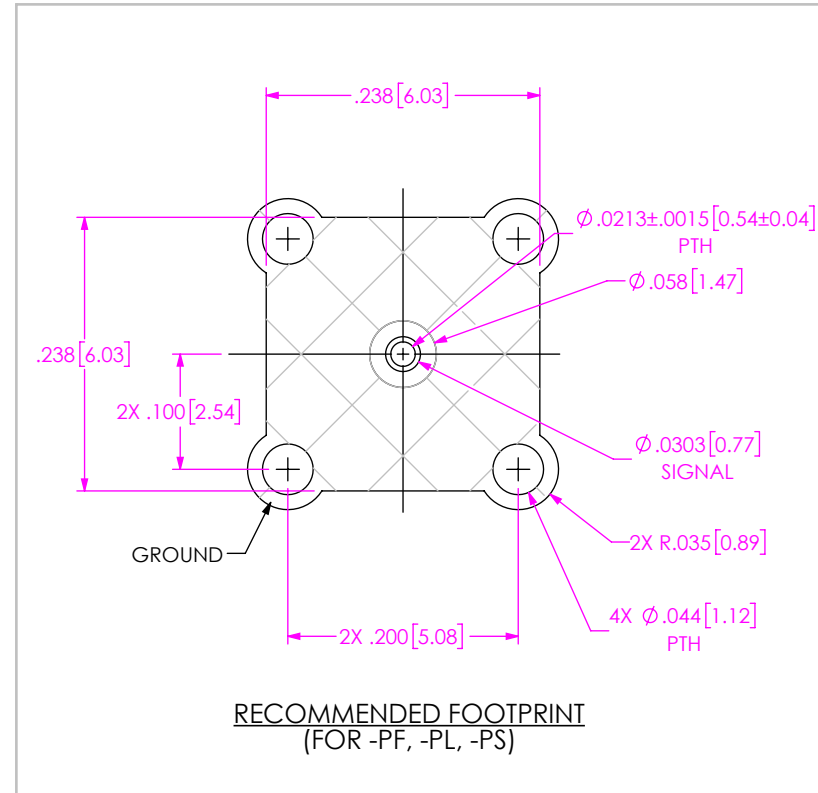


FIG 1
SMP-PF-P-XX-ST-THX SHOWN

TABLE 1	
OPTION	"A"
3	.2315 [5.88]
4	.2645 [6.72]



NOTES:
1. TRAYS TO BE STANDARD PACKAGING

PROPRIETARY NOTE
THIS DOCUMENT CONTAINS CONFIDENTIAL AND PROPRIETARY INFORMATION AND ALL DESIGN, MANUFACTURING, REPRODUCTION, USE, PATENT RIGHTS AND SALES RIGHTS ARE EXPRESSLY RESERVED BY SAMTEC, INC. THIS DOCUMENT SHALL NOT BE DISCLOSED, IN WHOLE OR PART, TO ANY UNAUTHORIZED PERSON OR ENTITY NOR REPRODUCED, TRANSFERRED OR INCORPORATED IN ANY OTHER PROJECT IN ANY MANNER WITHOUT THE EXPRESS WRITTEN CONSENT OF SAMTEC, INC.

DO NOT SCALE DRAWING
SHEET SCALE: 6:1

MATERIAL: BRASS
BODY, PIN: GOLD PLATED
INSULATOR: PEEK

samtec
520 PARK EAST BLVD, NEW ALBANY, IN 47150
PHONE: 812-944-6733 FAX: 812-948-5047
e-Mail info@SAMTEC.com code 55322

DESCRIPTION:
SMP THROUGH HOLE PLUG

DWG. NO.
SMP-PX-P-XX-ST-THX

BY: WILLY Y 12/7/2023 SHEET 1 OF 3

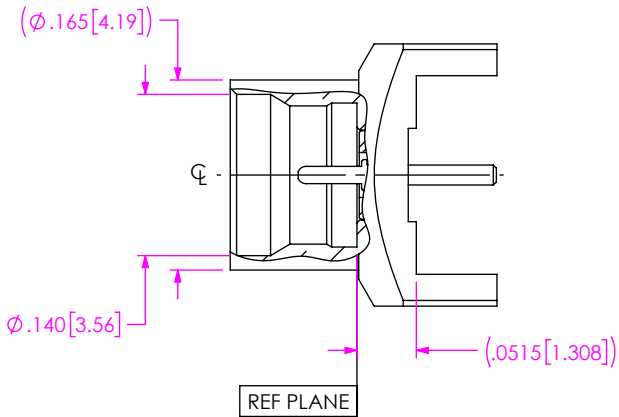


FIG 2
SMP-PL-P-XX-ST-THX SHOWN
(SAME AS FIG 1, EXCEPT AS SHOWN)

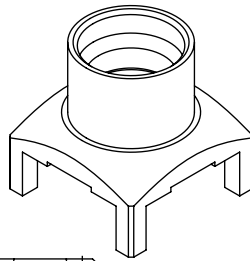
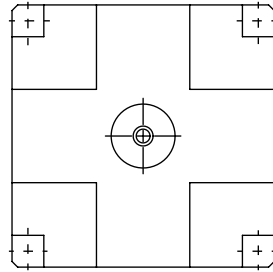
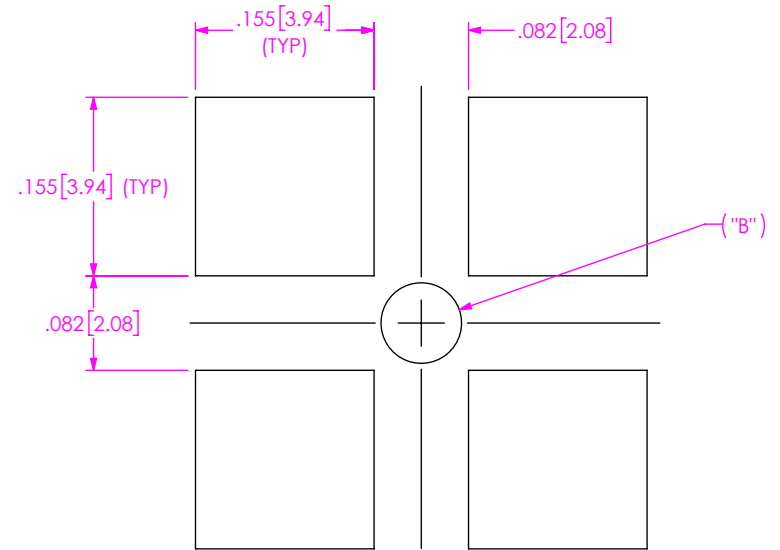


TABLE 2	
OPTION	"B"
3	∅ .035 [.89]
4	∅ .070 [1.78]



RECOMMENDED STENCIL APERTURE LAYOUT
(FOR -PF, -PL, -PS, -PC)

NOTES:

- 2. RECOMMENDED STENCIL THICKNESS = .004". FOR .062" PCB AND .005" FOR .093" PCB.

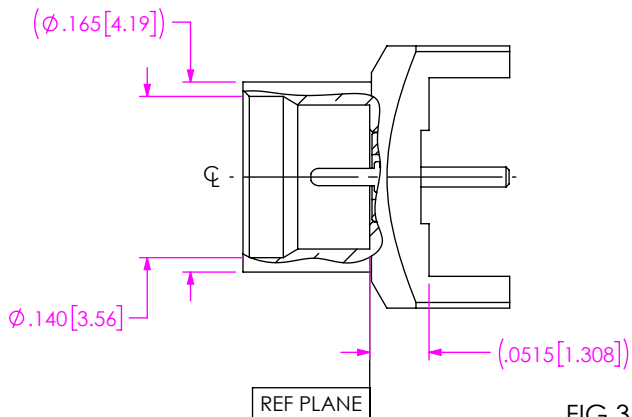
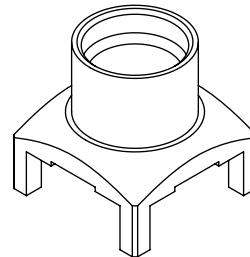
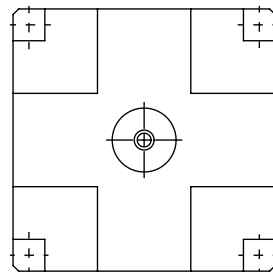


FIG 3
SMP-PS-P-XX-ST-THX SHOWN
(SAME AS FIG 1, EXCEPT AS SHOWN)



PROPRIETARY NOTE
THIS DOCUMENT CONTAINS CONFIDENTIAL AND PROPRIETARY INFORMATION AND ALL DESIGN, MANUFACTURING, REPRODUCTION, USE, PATENT RIGHTS AND SALES RIGHTS ARE EXPRESSLY RESERVED BY SAMTEC, INC. THIS DOCUMENT SHALL NOT BE DISCLOSED, IN WHOLE OR PART, TO ANY UNAUTHORIZED PERSON OR ENTITY NOR REPRODUCED, TRANSFERRED OR INCORPORATED IN ANY OTHER PROJECT IN ANY MANNER WITHOUT THE EXPRESS WRITTEN CONSENT OF SAMTEC, INC.



520 PARK EAST BLVD, NEW ALBANY, IN 47150
PHONE: 812-944-6733 FAX: 812-948-5047
e-Mail: info@SAMTEC.com code 55322

DO NOT SCALE DRAWING

SHEET SCALE: 6:1

DESCRIPTION:
SMP THROUGH HOLE PLUG

DWG. NO.
SMP-PX-P-XX-ST-THX

BY: WILLY Y 12/7/2023 SHEET 2 OF 3

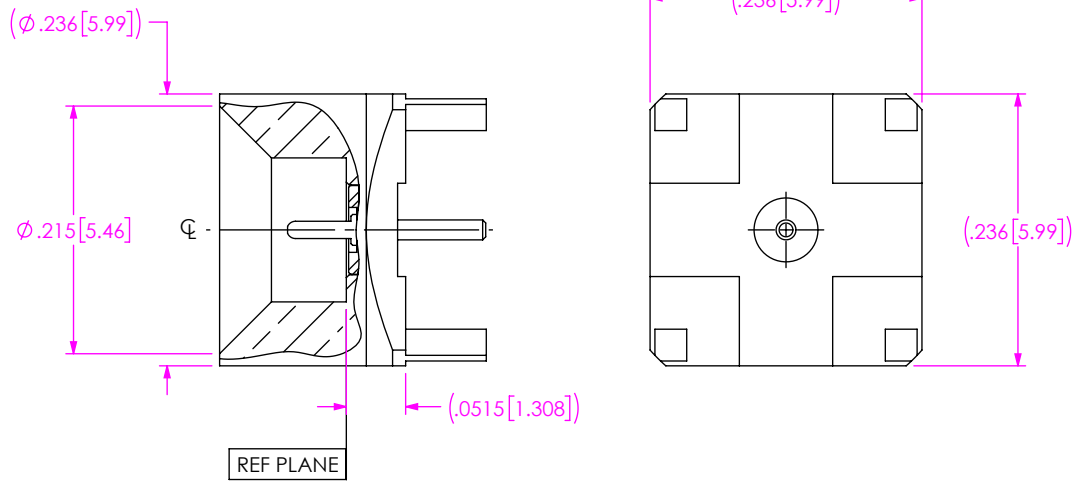
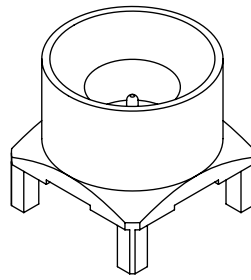
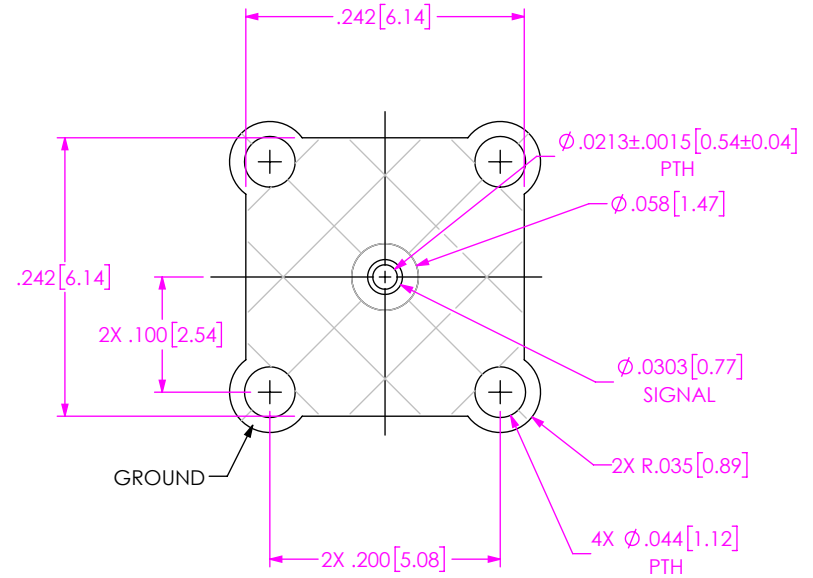


FIG 4
SMP-PC-P-XX-ST-THX SHOWN
(SAME AS FIG 1, EXCEPT AS SHOWN)



RECOMMENDED FOOTPRINT
(FOR -PC ONLY)

PROPRIETARY NOTE
THIS DOCUMENT CONTAINS CONFIDENTIAL AND PROPRIETARY INFORMATION AND ALL DESIGN, MANUFACTURING, REPRODUCTION, USE, PATENT RIGHTS AND SALES RIGHTS ARE EXPRESSLY RESERVED BY SAMTEC, INC. THIS DOCUMENT SHALL NOT BE DISCLOSED, IN WHOLE OR PART, TO ANY UNAUTHORIZED PERSON OR ENTITY NOR REPRODUCED, TRANSFERRED OR INCORPORATED IN ANY OTHER PROJECT IN ANY MANNER WITHOUT THE EXPRESS WRITTEN CONSENT OF SAMTEC, INC.



520 PARK EAST BLVD, NEW ALBANY, IN 47150
PHONE: 812-944-6733 FAX: 812-948-5047
e-Mail info@SAMTEC.com code 55322

DO NOT SCALE DRAWING

SHEET SCALE: 6:1

DESCRIPTION:
SMP THROUGH HOLE PLUG

DWG. NO.
SMP-PX-P-XX-ST-THX

BY: WILLY Y 12/7/2023 SHEET 3 OF 3