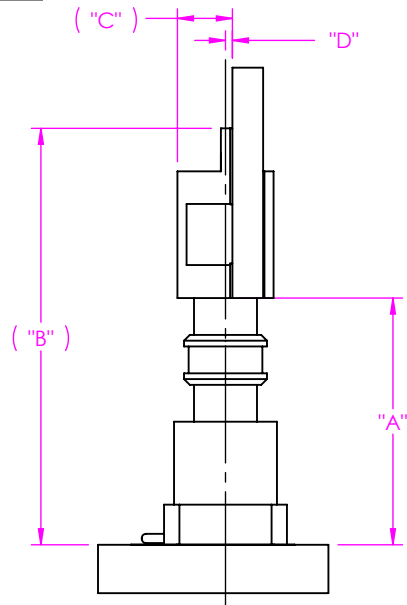
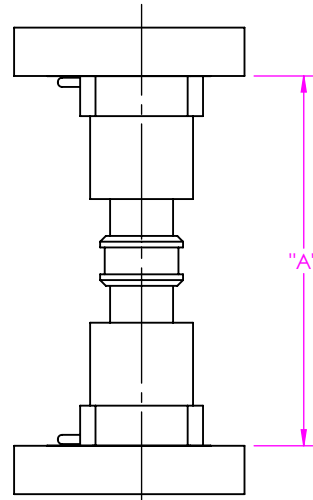


DO NOT  
SCALE FROM  
THIS PRINT

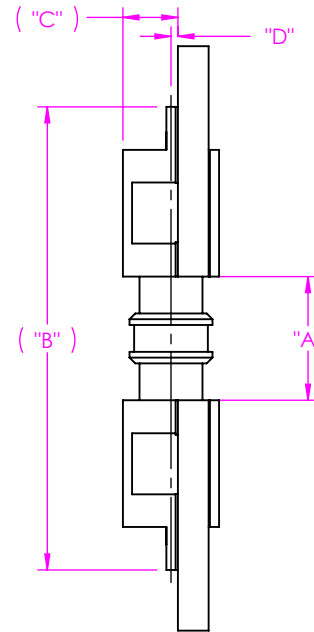
**FIGURE 1**  
PERPENDICULAR MATED  
CONFIGURATION



**FIGURE 2**  
MEZZANINE MATED  
CONFIGURATION



**FIGURE 3**  
COPLANAR MATED  
CONFIGURATION



**FIGURE 4**  
MEZZANINE MATED  
CONFIGURATION  
SMPM-TH MATED WITH SMPM-SM

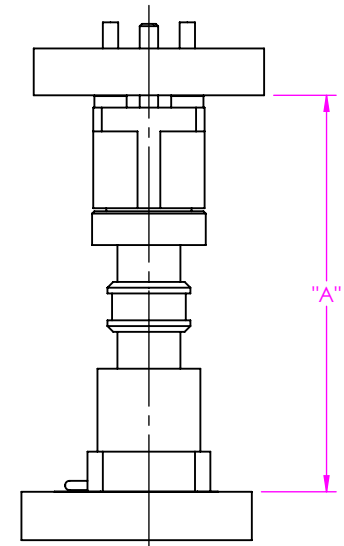


TABLE 1

		SMPM-PX-P-XX-ST-TH-1				SMPM-PX-P-XX-ST-SM-1				SMPM-PX-P-XX-ST-EM-1				"C"	"D"		
		"A" FULLY MATED		"B" FULLY MATED		"A" FULLY MATED		"B" FULLY MATED		"A" FULLY MATED		"B" FULLY MATED					
SMPM-PX-P-XX-ST-EM-1	PRFIA-SMPM-J-J-S-1	0.238	[6.04]	0.459	[11.66]	0.204	[5.18]	0.425	[10.80]	0.044	[1.11]	0.486	[12.34]	0.006	[0.15]	0.069	[1.74]
	PRFIA-SMPM-J-J-S-2	0.355	[9.02]	0.576	[14.63]	0.321	[8.16]	0.542	[13.77]	0.161	[4.09]	0.603	[15.32]				
	PRFIA-SMPM-J-J-S-3	0.528	[13.41]	0.749	[19.02]	0.494	[12.55]	0.715	[18.16]	0.334	[8.48]	0.776	[19.71]				
	PRFIA-SMPM-J-J-S-4	0.194	[4.93]	0.415	[10.54]	0.160	[4.07]	0.381	[9.68]	0.000	[0.00]	0.442	[11.23]				
SMPM-PX-P-XX-ST-SM-1	PRFIA-SMPM-J-J-S-1	0.398	[10.11]			0.364	[9.25]										
	PRFIA-SMPM-J-J-S-2	0.515	[13.09]			0.481	[12.23]										
	PRFIA-SMPM-J-J-S-3	0.688	[17.48]			0.654	[16.62]										
	PRFIA-SMPM-J-J-S-4	0.354	[9.00]			0.320	[8.14]										
SMPM-PX-P-XX-ST-TH-1	PRFIA-SMPM-J-J-S-1	0.432	[10.97]														
	PRFIA-SMPM-J-J-S-2	0.549	[13.95]														
	PRFIA-SMPM-J-J-S-3	0.722	[18.34]														
	PRFIA-SMPM-J-J-S-4	0.388	[9.86]														

NOTES:

1. ALL DIMENSIONS BASED ON NOMINAL VALUES FOR SAMTEC RECOMMENDED PCB LAYOUTS.
2. ALTHOUGH UNCOMPRESSED DIMENSIONS ARE LISTED SAMTEC RECOMMENDS FULLY COMPRESSING COMPONENTS.
3. DIMENSIONS SHOWN DO NOT INCLUDE SOLDER THICKNESS, TOLERANCE STACKS.

PROPRIETARY NOTE  
THIS DOCUMENT CONTAINS CONFIDENTIAL AND PROPRIETARY INFORMATION AND ALL DESIGN, MANUFACTURING, REPRODUCTION, USE, PATENT RIGHTS AND SALES RIGHTS ARE EXPRESSLY RESERVED BY SAMTEC, INC. THIS DOCUMENT SHALL NOT BE DISCLOSED, IN WHOLE OR PART, TO ANY UNAUTHORIZED PERSON OR ENTITY NOR REPRODUCED, TRANSFERRED OR INCORPORATED IN ANY OTHER PROJECT IN ANY MANNER WITHOUT THE EXPRESS WRITTEN CONSENT OF SAMTEC, INC.

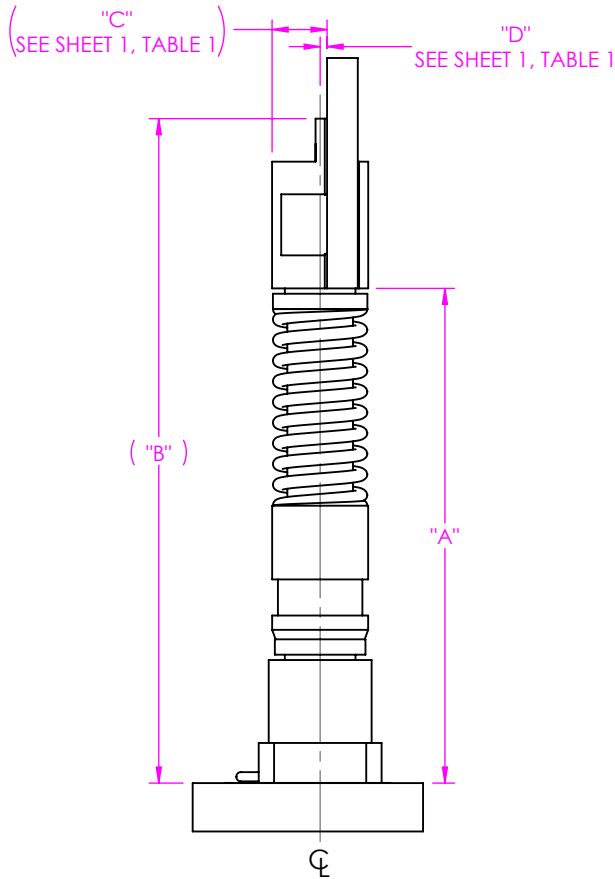


520 PARK EAST BLVD, NEW ALBANY, IN 47150  
PHONE: 812-944-6733 FAX: 812-948-5047  
e-Mail info@SAMTEC.com code 55322

# SMPM MATED VIEWS

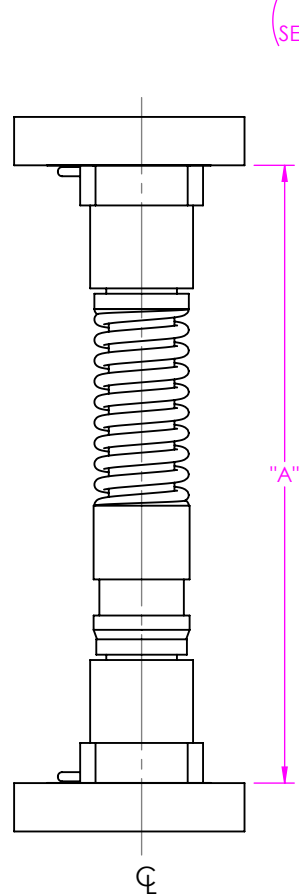
**FIGURE 5**

PERPENDICULAR MATED CONFIGURATION



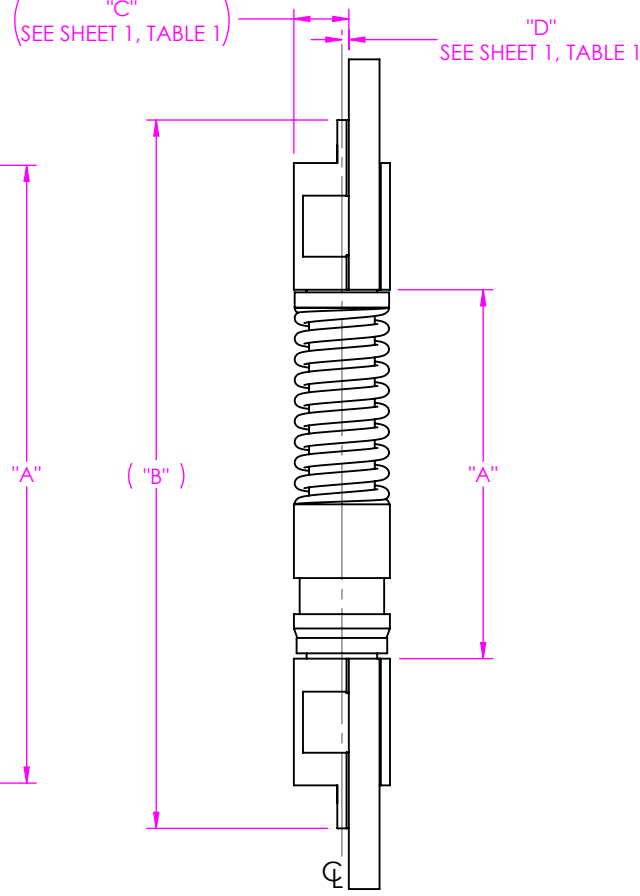
**FIGURE 6**

MEZZANINE MATED CONFIGURATION



**FIGURE 7**

COPLANAR MATED CONFIGURATION



**FIGURE 8**

MEZZANINE MATED CONFIGURATION  
SMPPM-TH MATED WITH SMPPM-SM

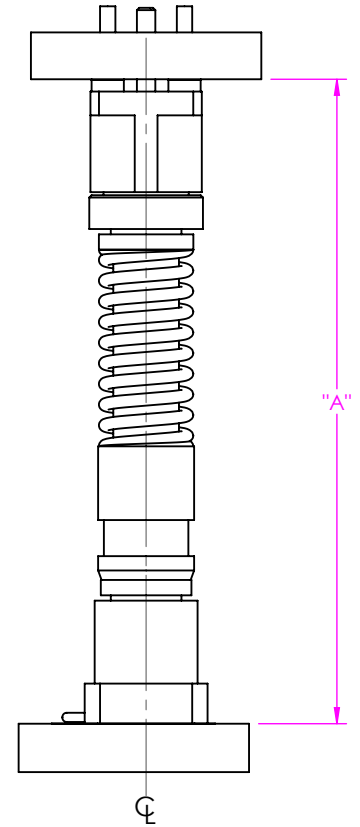


TABLE 2

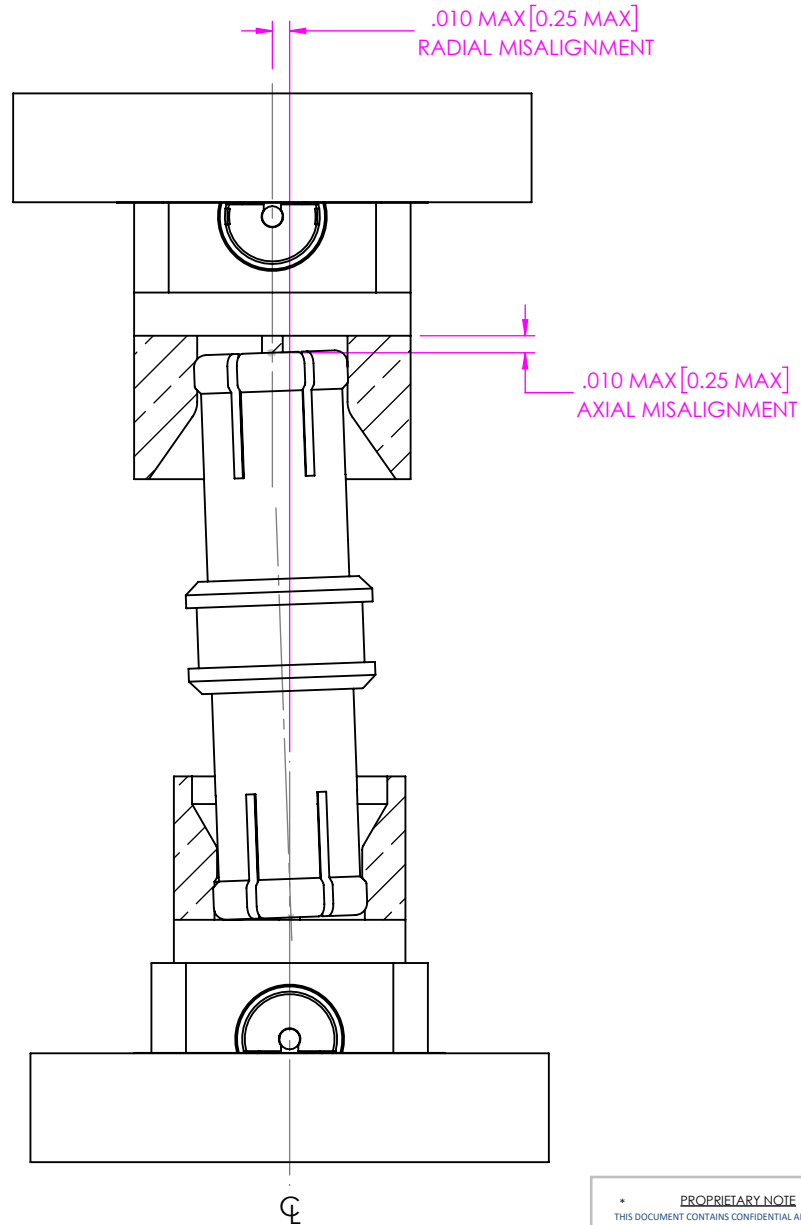
		SMPPM-PX-P-XX-ST-TH-1				SMPPM-PX-P-XX-ST-SM-1											
		"A" UNCOMPRESSED		"A" FULLY COMPRESSED		"B" UNCOMPRESSED		"B" FULLY COMPRESSED		"A" UNCOMPRESSED		"A" FULLY COMPRESSED		"B" UNCOMPRESSED		"B" FULLY COMPRESSED	
SMPPM-PX-P-XX-ST-EM-1	PRFIA-SMPPM-J-J-SP-1	0.440	[11.18]	0.408	[10.36]	0.661	[16.79]	0.629	[15.98]	0.406	[10.31]	0.374	[9.50]	0.627	[15.93]	0.595	[15.11]
	PRFIA-SMPPM-J-J-SP-2	0.678	[17.22]	0.578	[14.68]	0.899	[22.83]	0.799	[20.29]	0.644	[16.36]	0.544	[13.82]	0.865	[21.97]	0.765	[19.43]
SMPPM-PX-P-XX-ST-SM-1	PRFIA-SMPPM-J-J-SP-1	0.600	[15.24]	0.568	[14.43]					0.566	[14.38]	0.534	[13.56]				
	PRFIA-SMPPM-J-J-SP-2	0.838	[21.29]	0.738	[18.75]					0.804	[20.42]	0.704	[17.88]				
SMPPM-PX-P-XX-ST-TH-1	PRFIA-SMPPM-J-J-SP-1	0.634	[16.10]	0.602	[15.29]												
	PRFIA-SMPPM-J-J-SP-2	0.872	[22.15]	0.772	[19.61]												

		SMPPM-PX-P-XX-ST-EM-1							
		"A"		"A"		"B"		"B"	
SMPPM-PX-P-XX-ST-EM-1	PRFIA-SMPPM-J-J-SP-1	0.246	[6.25]	0.214	[5.44]	0.688	[17.48]	0.656	[16.66]
	PRFIA-SMPPM-J-J-SP-2	0.484	[12.29]	0.384	[9.75]	0.926	[23.52]	0.826	[20.98]

**PROPRIETARY NOTE**  
 THIS DOCUMENT CONTAINS CONFIDENTIAL AND PROPRIETARY INFORMATION AND ALL DESIGN, MANUFACTURING, REPRODUCTION, USE, PATENT RIGHTS AND SALES RIGHTS ARE EXPRESSLY RESERVED BY SAMTEC, INC. THIS DOCUMENT SHALL NOT BE DISCLOSED, IN WHOLE OR PART, TO ANY UNAUTHORIZED PERSON OR ENTITY NOR REPRODUCED, TRANSFERRED OR INCORPORATED IN ANY OTHER PROJECT IN ANY MANNER WITHOUT THE EXPRESS WRITTEN CONSENT OF SAMTEC, INC.

**samtec**  
 520 PARK EAST BLVD, NEW ALBANY, IN 47150  
 PHONE: 812-944-6733 FAX: 812-948-5047  
 e-Mail info@SAMTEC.com code 55322  
 SHEET 2 OF 3

**FIGURE 9**  
 SMMP MAX RADIAL/AXIAL MISALIGNMENT  
 FULL DETENT TO CATCHER'S MITT SHOWN



• PROPRIETARY NOTE •  
 THIS DOCUMENT CONTAINS CONFIDENTIAL AND PROPRIETARY INFORMATION AND ALL DESIGN, MANUFACTURING, REPRODUCTION, USE, PATENT RIGHTS AND SALES RIGHTS ARE EXPRESSLY RESERVED BY SAMTEC, INC. THIS DOCUMENT SHALL NOT BE DISCLOSED, IN WHOLE OR PART, TO ANY UNAUTHORIZED PERSON OR ENTITY NOR REPRODUCED, TRANSFERRED OR INCORPORATED IN ANY OTHER PROJECT IN ANY MANNER WITHOUT THE EXPRESS WRITTEN CONSENT OF SAMTEC, INC.



520 PARK EAST BLVD, NEW ALBANY, IN 47150  
 PHONE: 812-944-6733 FAX: 812-948-5047  
 e-Mail info@SAMTEC.com code 55322