

DO NOT
SCALE FROM
THIS PRINT

GENDER
-PF: PLUG FULL DETENT

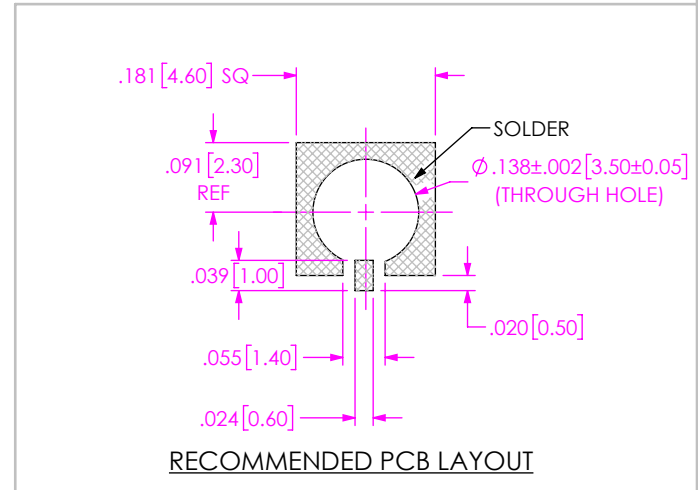
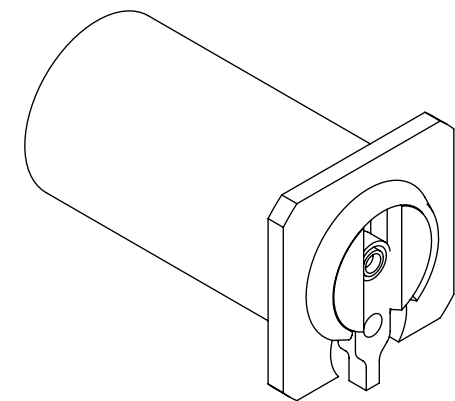
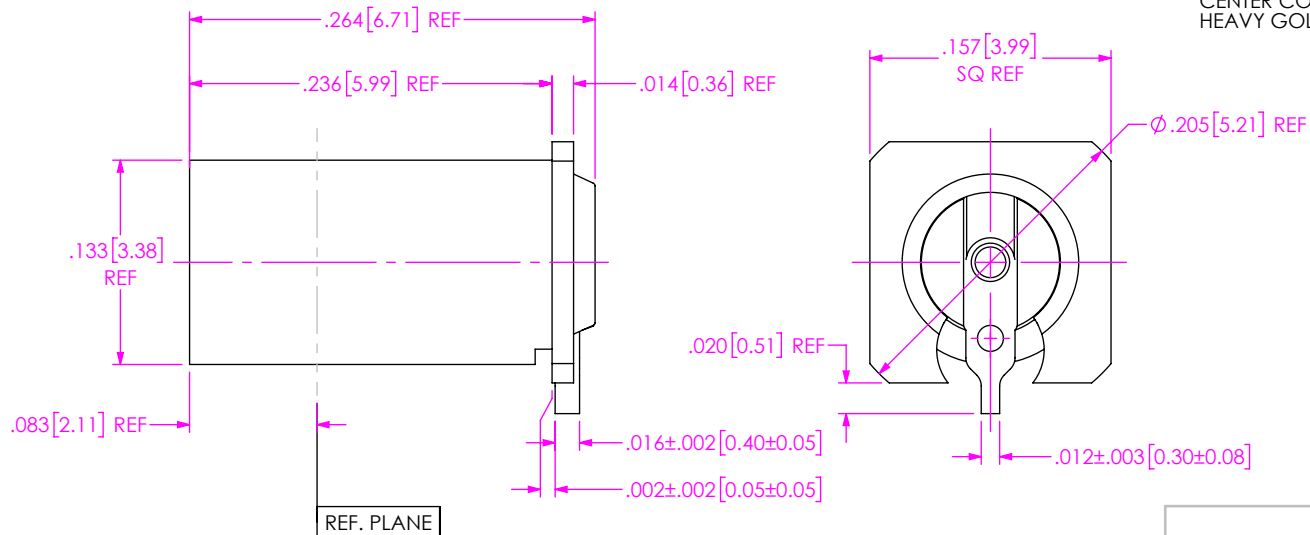
TYPE
-P: PCB

FINISH
-EE: 50µ" EXTRA HEAVY GOLD
CENTER CONTACT, 50µ" EXTRA
HEAVY GOLD OUTER BODY

OPTION
-2

TERMINATION
-SM: SURFACE MOUNT

ORIENTATION
-ST: STRAIGHT



- NOTES:
- MATERIAL:
BODY & CONTACT: BRASS ALLOY 360
CONTACT TAB: BRASS ALLOY 260
INSULATOR: TEFLON FLUOROCARBON
 - FINISH:
BODY, CONTACT TAB & CONTACT: GOLD OVER NICKEL PLATE,
50 µIN MIN GOLD OVER 50 µIN MIN NICKEL.
 - PCI P/N: 3817.

UNLESS OTHERWISE SPECIFIED, DIMENSIONS ARE IN INCHES. TOLERANCES ARE: DECIMALS ANGLES .XX: ±.01 [0.3] 1° .XXX: ±.005 [0.13] .XXXX: ±.0005 [0.013]	* PROPRIETARY NOTE * THIS DOCUMENT CONTAINS CONFIDENTIAL AND PROPRIETARY INFORMATION AND ALL DESIGN, MANUFACTURING, REPRODUCTION, USE, PATENT RIGHTS AND SALES RIGHTS ARE EXPRESSLY RESERVED BY SAMTEC, INC. THIS DOCUMENT SHALL NOT BE DISCLOSED, IN WHOLE OR PART, TO ANY UNAUTHORIZED PERSON OR ENTITY NOR REPRODUCED, TRANSFERRED OR INCORPORATED IN ANY OTHER PROJECT IN ANY MANNER WITHOUT THE EXPRESS WRITTEN CONSENT OF SAMTEC, INC.	520 PARK EAST BLVD, NEW ALBANY, IN 47150 PHONE: 812-944-6733 FAX: 812-948-5047 e-Mail: info@SAMTEC.com code 55322
		DESCRIPTION: SMPM PIN, FULL DETENT, PCB SURFACE MOUNT
		DWG. NO. SMPM-PF-P-EE-ST-SM-2
DO NOT SCALE DRAWING SHEET SCALE: 4:1	BY: EVE L 10/13/2020 SHEET 1 OF 1	