

**DESIGNED AND DIMENSIONED IN INCHES[MILLIMETERS]  
ALL DIMENSIONS REFERENCE EXCEPT AS SHOWN**

DO NOT  
SCALE FROM  
THIS PRINT

**SMPM-PF-P-XX-RA-TH-1**

GENDER  
-P: PLUG

INTERFACE  
-F: FULL DETENT

TYPE  
-P: PCB

OPTION  
-1

TERMINATION  
-TH: THROUGH HOLE

ORIENTATION  
-RA: RIGHT ANGLE

FINISH  
-HF: 30μ" GOLD HEAVY CENTER CONTACT  
3μ" GOLD OUTER CONTACT

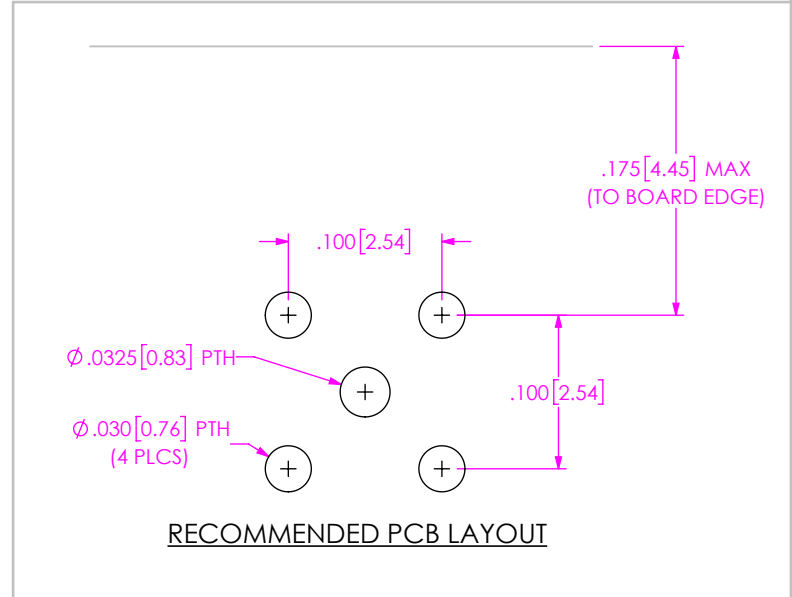
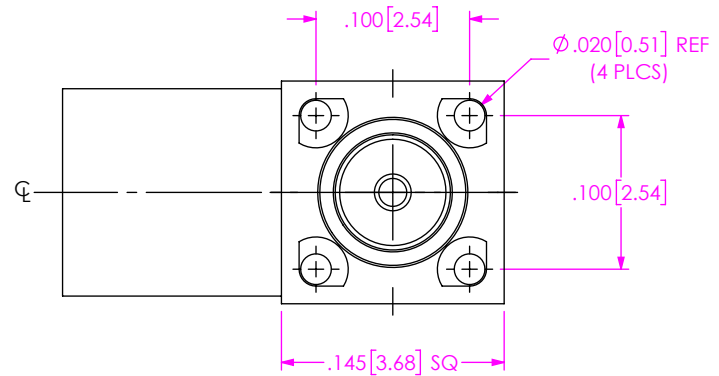
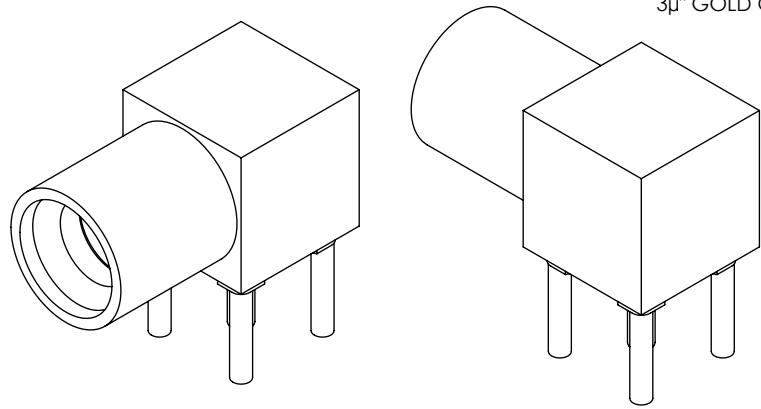
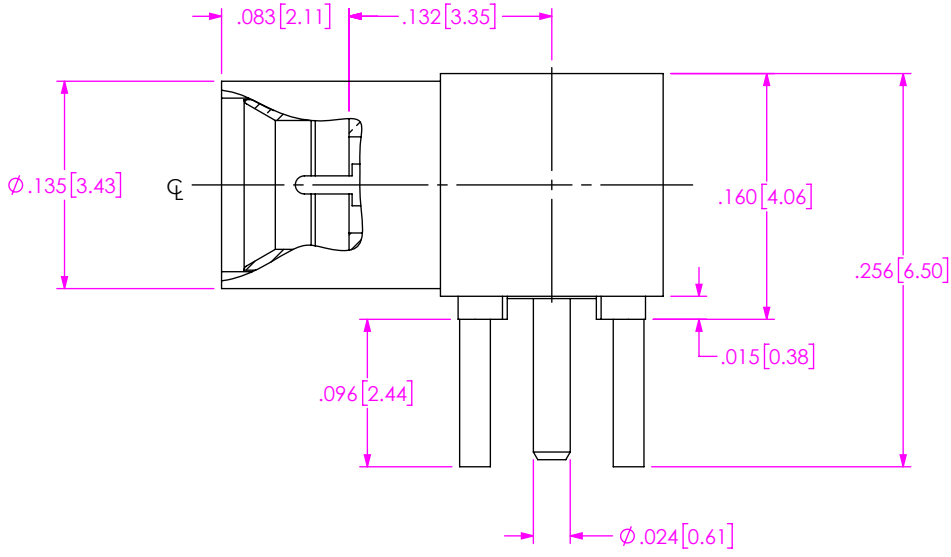


FIG 1  
SMPM-PF-P-XX-RA-TH-1 SHOWN

NOTES:  
1. TRAY IS STANDARD PACKAGING.

<p><b>PROPRIETARY NOTE</b></p> <p>THIS DOCUMENT CONTAINS CONFIDENTIAL AND PROPRIETARY INFORMATION AND ALL DESIGN, MANUFACTURING, REPRODUCTION, USE, PATENT RIGHTS AND SALES RIGHTS ARE EXPRESSLY RESERVED BY SAMTEC, INC. THIS DOCUMENT SHALL NOT BE DISCLOSED, IN WHOLE OR PART, TO ANY UNAUTHORIZED PERSON OR ENTITY NOR REPRODUCED, TRANSFERRED OR INCORPORATED IN ANY OTHER PROJECT IN ANY MANNER WITHOUT THE EXPRESS WRITTEN CONSENT OF SAMTEC, INC.</p>		<p><b>samtec</b></p> <p>520 PARK EAST BLVD, NEW ALBANY, IN 47150 PHONE: 812-944-6733 FAX: 812-948-5047 e-Mail info@SAMTEC.com code 55322</p>	
<p>DO NOT SCALE DRAWING SHEET SCALE: 8:1</p>		<p>DESCRIPTION: SMPM-PLUG, RA THROUGH HOLE</p>	
<p>MATERIAL:  BODY, BUSH, PIN &amp; RING: BeCu INSULATOR: PTFE</p>		<p>DWG. NO. <b>SMPM-PF-P-XX-RA-TH-1</b></p>	
<p>F:\DWG\MISC\MKTG\SMPM-PF-P-XX-RA-TH-1-MKT.SLDDRW</p>		<p>BY: SHERRY W 11/12/2018 SHEET 1 OF 1</p>	