

DESIGNED AND DIMENSIONED IN INCHES[MILLIMETERS]  
ALL DIMENSIONS REFERENCE EXCEPT AS SHOWN

SMPM-PF-P-XX-ST-MT-X

DO NOT  
SCALE FROM  
THIS PRINT

GENDER  
-PF: PLUG FULL DETENT

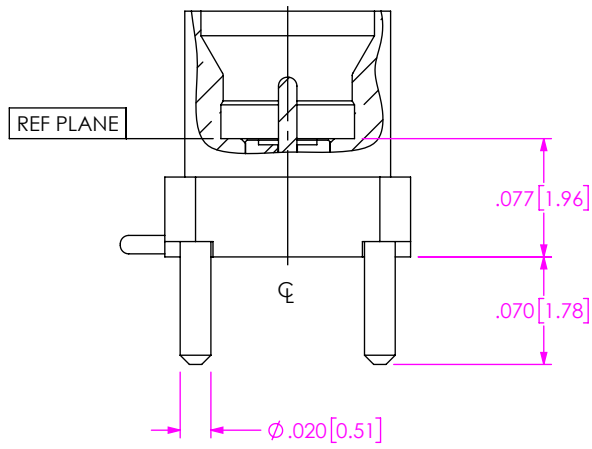
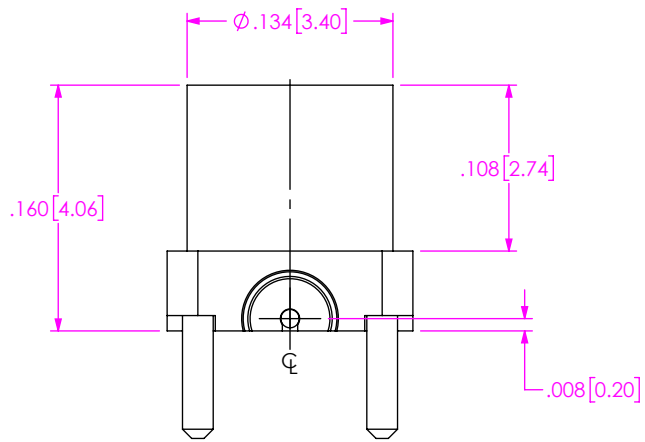
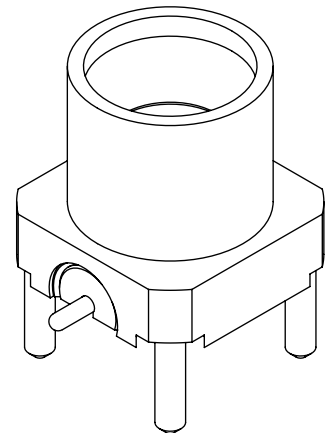
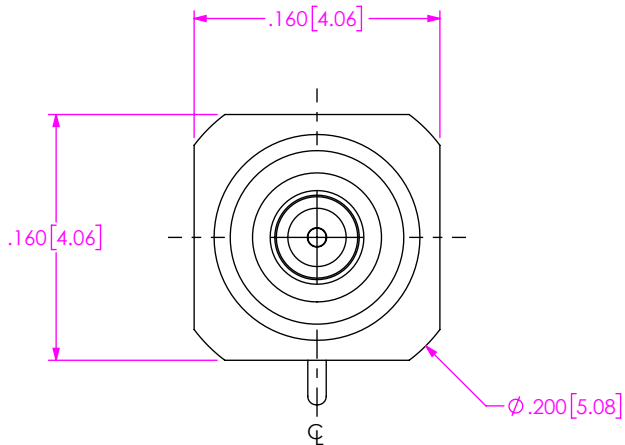
TYPE  
-P: PCB

FINISH  
-EG: 50µ" HEAVY GOLD CENTER CONTACT,  
10µ" GOLD OUTER BODY


OPTION  
-1  
-2 (NOT TOOLED)

TERMINATION  
-MT: MIXED TECHNOLOGY

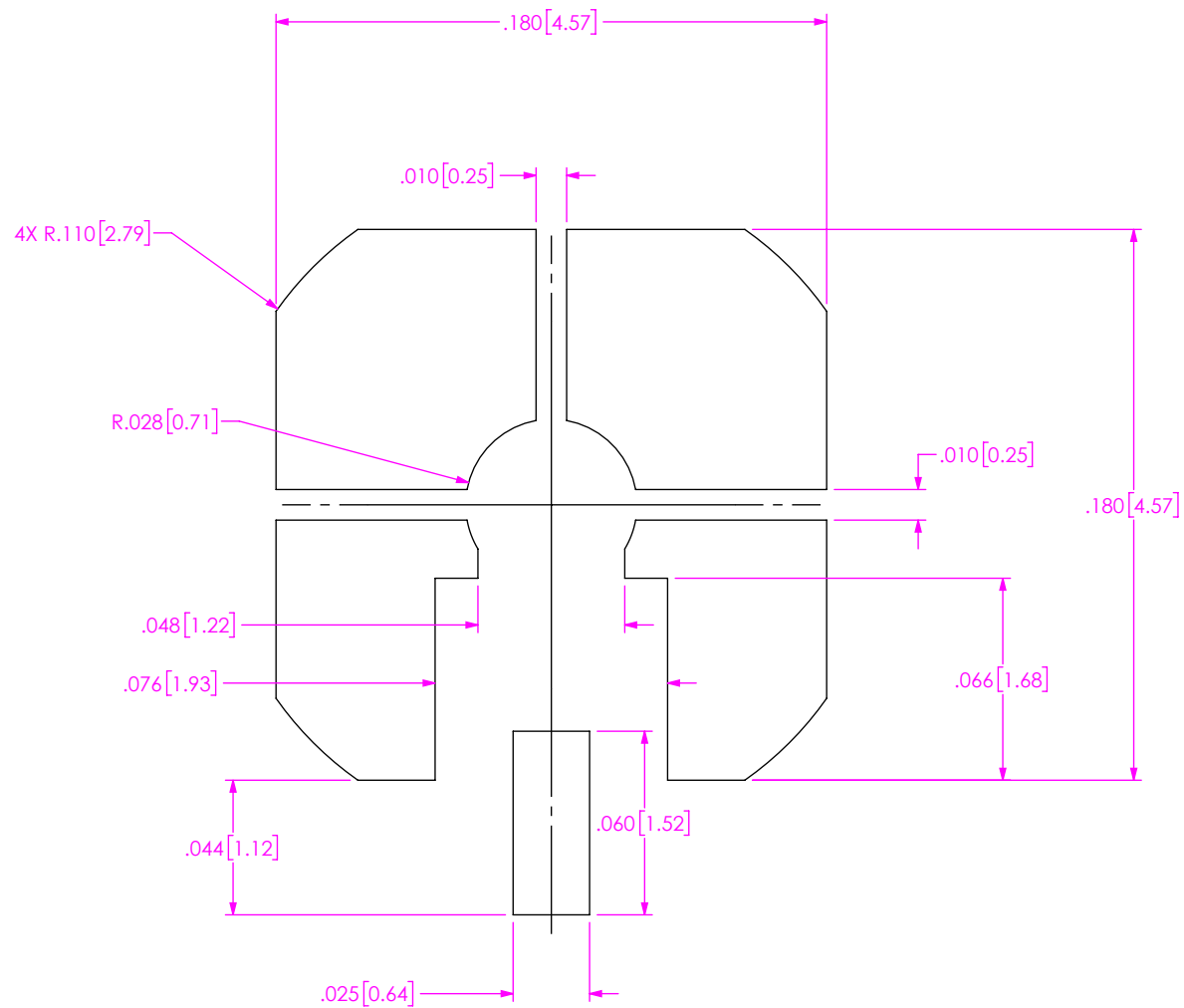
ORIENTATION  
-ST: STRAIGHT



- NOTES:
- MATERIAL:  
BEADS: VICTREX POLYMER.  
CONTACT: BERYLLIUM COPPER.  
BODY: BRASS ALLOY.
  - FINISH:  
CONTACT, OUTER CONTACT:  
-E: GOLD OVER NICKEL PLATE, 50-100 µIN MIN  
GOLD OVER 50-100 µIN MIN NICKEL.  
-G: GOLD OVER NICKEL PLATE, 10-30 µIN MIN  
GOLD OVER 50-100 µIN MIN NICKEL.

UNLESS OTHERWISE SPECIFIED, DIMENSIONS ARE IN INCHES. TOLERANCES ARE: DECIMALS                      ANGLES .XX: ±.01                      1° .XXX: ±.002 .XXXX: ±.0005	* PROPRIETARY NOTE * THIS DOCUMENT CONTAINS CONFIDENTIAL AND PROPRIETARY INFORMATION AND ALL DESIGN, MANUFACTURING, REPRODUCTION, USE, PATENT RIGHTS AND SALES RIGHTS ARE EXPRESSLY RESERVED BY SAMTEC, INC. THIS DOCUMENT SHALL NOT BE DISCLOSED, IN WHOLE OR PART, TO ANY UNAUTHORIZED PERSON OR ENTITY NOR REPRODUCED, TRANSFERRED OR INCORPORATED IN ANY OTHER PROJECT IN ANY MANNER WITHOUT THE EXPRESS WRITTEN CONSENT OF SAMTEC, INC.	 520 PARK EAST BLVD., NEW ALBANY, IN 47150 PHONE: 812-944-6733      FAX: 812-948-5047 e-Mail: info@SAMTEC.com      code 55322	
		DO NOT SCALE DRAWING      SHEET SCALE: 8:1	DESCRIPTION: SMPM PLUG MIXED TECHNOLOGY
		DWG. NO. <b>SMPM-PF-P-XX-ST-MT-X</b>	
		BY: ROSS P.      3/15/2021	SHEET 1 OF 3






RECOMMENDED STENCIL APERTURE LAYOUT

NOTES:

RECOMMENDED STENCIL THICKNESS = .005".

<p><b>PROPRIETARY NOTE</b></p> <p>THIS DOCUMENT CONTAINS CONFIDENTIAL AND PROPRIETARY INFORMATION AND ALL DESIGN, MANUFACTURING, REPRODUCTION, USE, PATENT RIGHTS AND SALES RIGHTS ARE EXPRESSLY RESERVED BY SAMTEC, INC. THIS DOCUMENT SHALL NOT BE DISCLOSED, IN WHOLE OR PART, TO ANY UNAUTHORIZED PERSON OR ENTITY NOR REPRODUCED, TRANSFERRED OR INCORPORATED IN ANY OTHER PROJECT IN ANY MANNER WITHOUT THE EXPRESS WRITTEN CONSENT OF SAMTEC, INC.</p>	 <p>520 PARK EAST BLVD., NEW ALBANY, IN 47150          PHONE: 812-944-6733 FAX: 812-948-5047          e-Mail info@SAMTEC.com code 55322</p>
<p>DO NOT SCALE DRAWING</p>	<p>DESCRIPTION:          SMPM PLUG MIXED TECHNOLOGY</p>
<p>SHEET SCALE: 16:1</p>	<p>DWG. NO.  <b>SMPM-PF-P-XX-ST-MT-X</b></p> <p>BY: ROSS P.      3/15/2021      SHEET 3 OF 3</p>