

DO NOT SCALE FROM THIS PRINT

DESIGNED AND DIMENSIONED IN INCHES[MILLIMETERS]
ALL DIMENSIONS REFERENCE EXCEPT AS SHOWN

SMPM-PS-P-XX-ST-MT-X

GENDER
-PS: PLUG SMOOTH BORE

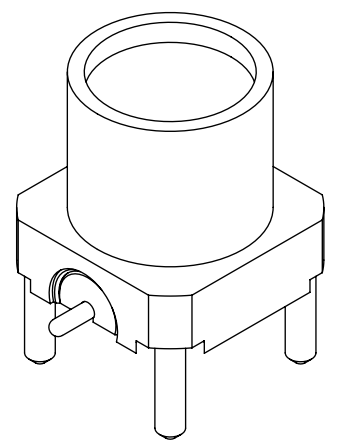
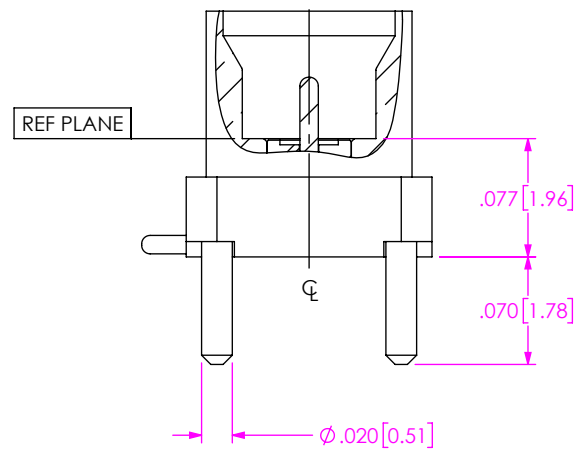
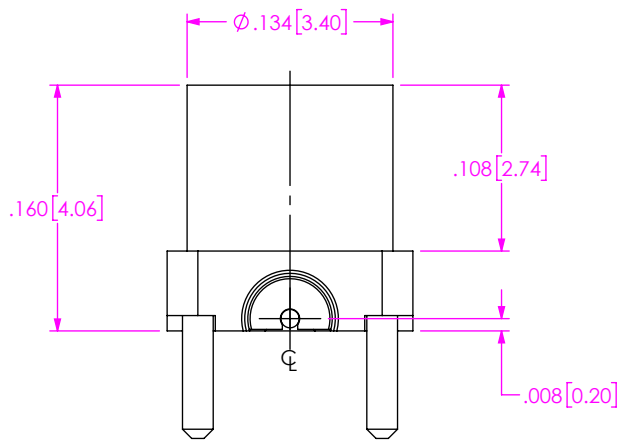
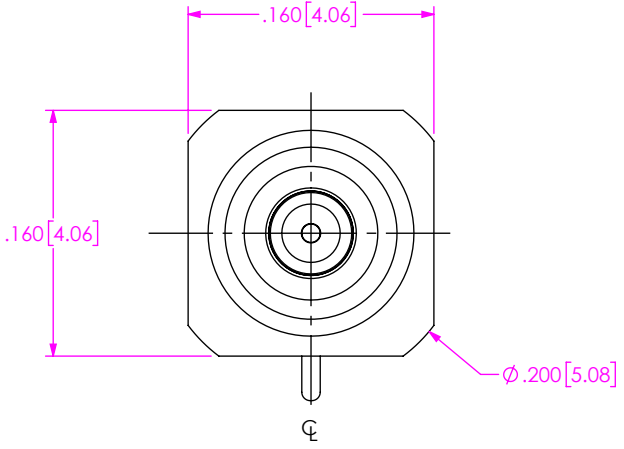
TYPE
-P: PCB

FINISH
-EG: 50µ" HEAVY GOLD CENTER CONTACT,
10µ" GOLD OUTER BODY

OPTION
-1
-2 (NOT TOOLED)

TERMINATION
-MT: MIXED TECHNOLOGY

ORIENTATION
-ST: STRAIGHT



- NOTES:
- MATERIAL:
BEADS: VICTREX POLYMER.
CONTACT: BERYLLIUM COPPER.
BODY: BRASS ALLOY.
 - FINISH:
CONTACT, OUTER CONTACT:
-E: GOLD OVER NICKEL PLATE, 50-100 µIN MIN
GOLD OVER 50-100 µIN MIN NICKEL.
-G: GOLD OVER NICKEL PLATE, 10-30 µIN MIN
GOLD OVER 50-100 µIN MIN NICKEL.

UNLESS OTHERWISE SPECIFIED, DIMENSIONS ARE IN INCHES.

TOLERANCES ARE:

DECIMALS	ANGLES
.XX: ±.01	1°
.XXX: ±.002	
.XXXX: ±.0005	

PROPRIETARY NOTE
THIS DOCUMENT CONTAINS CONFIDENTIAL AND PROPRIETARY INFORMATION AND ALL DESIGN, MANUFACTURING, REPRODUCTION, USE, PATENT RIGHTS AND SALES RIGHTS ARE EXPRESSLY RESERVED BY SAMTEC, INC. THIS DOCUMENT SHALL NOT BE DISCLOSED, IN WHOLE OR PART, TO ANY UNAUTHORIZED PERSON OR ENTITY NOR REPRODUCED, TRANSFERRED OR INCORPORATED IN ANY OTHER PROJECT IN ANY MANNER WITHOUT THE EXPRESS WRITTEN CONSENT OF SAMTEC, INC.



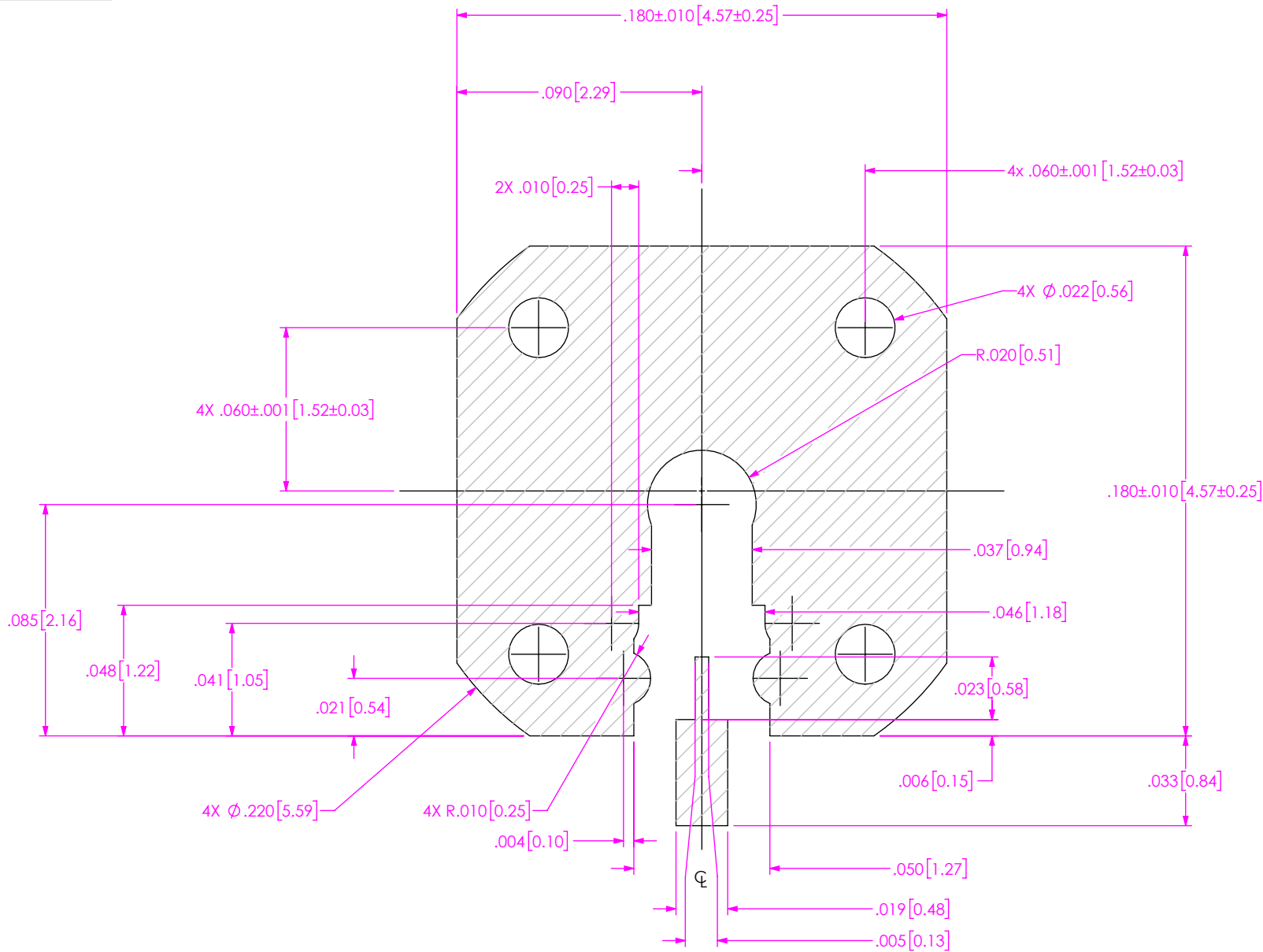
520 PARK EAST BLVD., NEW ALBANY, IN 47150
PHONE: 812-944-6733 FAX: 812-948-5047
e-Mail info@SAMTEC.com code 55322

DO NOT SCALE DRAWING SHEET SCALE: 8:1


DESCRIPTION:
SMPM PLUG MIXED TECHNOLOGY

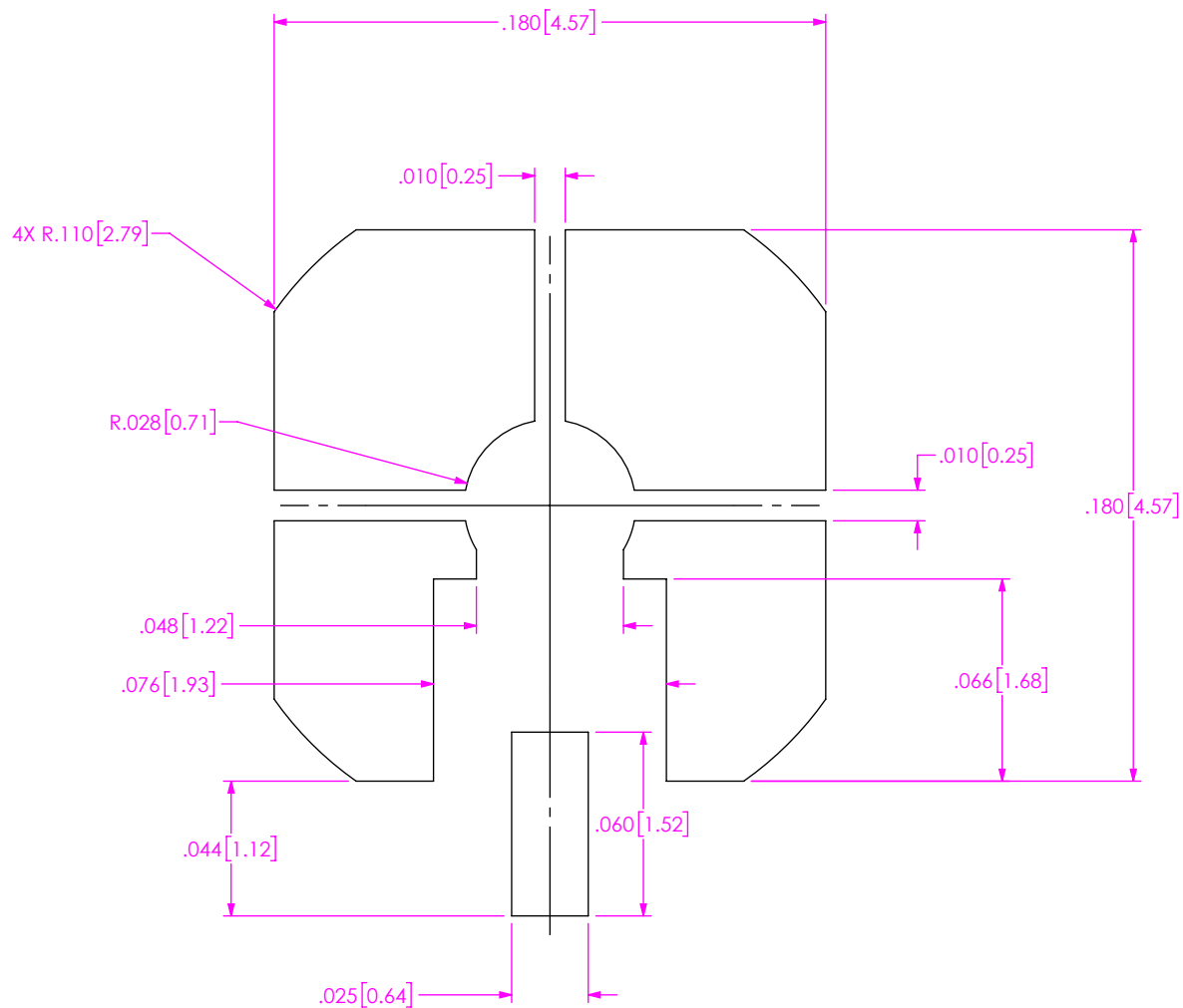
DWG. NO.
SMPM-PS-P-XX-ST-MT-X

BY: SHERRY W 3/19/2021 SHEET 1 OF 3



RECOMMENDED FOOTPRINT


<p>PROPRIETARY NOTE</p> <p>THIS DOCUMENT CONTAINS CONFIDENTIAL AND PROPRIETARY INFORMATION AND ALL DESIGN, MANUFACTURING, REPRODUCTION, USE, PATENT RIGHTS AND SALES RIGHTS ARE EXPRESSLY RESERVED BY SAMTEC, INC. THIS DOCUMENT SHALL NOT BE DISCLOSED, IN WHOLE OR PART, TO ANY UNAUTHORIZED PERSON OR ENTITY NOR REPRODUCED, TRANSFERRED OR INCORPORATED IN ANY OTHER PROJECT IN ANY MANNER WITHOUT THE EXPRESS WRITTEN CONSENT OF SAMTEC, INC.</p>		
	<p>520 PARK EAST BLVD, NEW ALBANY, IN 47150 PHONE: 812-944-6733 FAX: 812-948-5047 e-Mail info@SAMTEC.com code 55322</p>	
	<p>DO NOT SCALE DRAWING</p>	<p>DESCRIPTION: SMPM PLUG MIXED TECHNOLOGY</p>
<p>SHEET SCALE: 18:1</p>	<p>DWG. NO. SMPM-PS-P-XX-ST-MT-X</p>	<p>BY: SHERRY W 3/19/2021 SHEET 2 OF 3</p>



RECOMMENDED STENCIL APERTURE LAYOUT

NOTES:

RECOMMENDED STENCIL THICKNESS = .005".

<p>PROPRIETARY NOTE * THIS DOCUMENT CONTAINS CONFIDENTIAL AND PROPRIETARY INFORMATION AND ALL DESIGN, MANUFACTURING, REPRODUCTION, USE, PATENT RIGHTS AND SALES RIGHTS ARE EXPRESSLY RESERVED BY SAMTEC, INC. THIS DOCUMENT SHALL NOT BE DISCLOSED, IN WHOLE OR PART, TO ANY UNAUTHORIZED PERSON OR ENTITY NOR REPRODUCED, TRANSFERRED OR INCORPORATED IN ANY OTHER PROJECT IN ANY MANNER WITHOUT THE EXPRESS WRITTEN CONSENT OF SAMTEC, INC. *</p>	 520 PARK EAST BLVD, NEW ALBANY, IN 47150 PHONE: 812-944-6733 FAX: 812-948-5047 e-Mail info@SAMTEC.com code 55322
<p>DO NOT SCALE DRAWING</p>	<p>DESCRIPTION: SMPM PLUG MIXED TECHNOLOGY</p>
<p>SHEET SCALE: 16:1</p>	<p>DWG. NO. SMPM-PS-P-XX-ST-MT-X BY: SHERRY W 3/19/2021 SHEET 3 OF 3</p>