

DO NOT
SCALE FROM
THIS PRINT

OPTIONS

- 01: ALL HARDWARE (EDGE CARD NOT INCLUDED)
- 02: EDGE CARD HARDWARE (EDGE CARD NOT INCLUDED)
- 03: TOP/BOTTOM PCB HARDWARE
- 04: TOP PCB HARDWARE
- 05: BOTTOM PCB HARDWARE

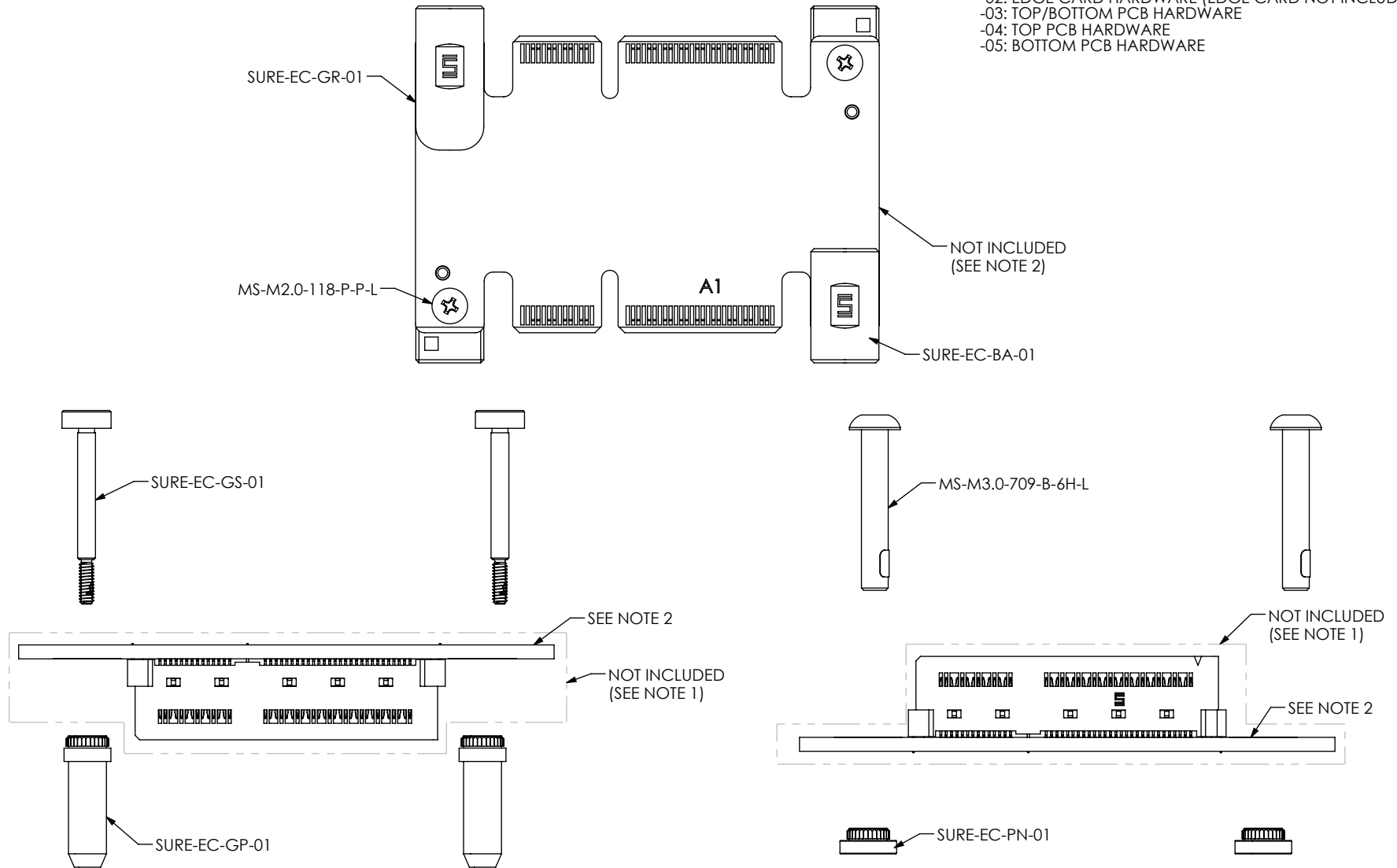


FIG 1
SURE-EC-01
(ALL HARDWARE)

NOTES:

1. REFER TO HSEC6-XXX-XX-X-DV-X-WT-XR FOR CONNECTOR DETAILS.
2. REFER TO HSEC6-XXX-XX-X-DV-X-WT-XR-FOOTPRINT FOR PCB AND EDGE CARD DETAILS.
3. REFER TO H6RU SURE-EC APPLICATION FOR ASSEMBLY INSTRUCTIONS.
4. PARTS TO BE PACKAGED IN BAGS AS A KIT.
5. ORDERS WILL BE PACKAGED ACCORDING TO THE SAMTEC PACKAGING EFFICIENCY STANDARDS (SPES) FOUND ON WWW.SAMTEC.COM.

<p>PROPRIETARY NOTE</p> <p>THIS DOCUMENT CONTAINS CONFIDENTIAL AND PROPRIETARY INFORMATION AND ALL DESIGN, MANUFACTURING, REPRODUCTION, USE, PATENT RIGHTS AND SALES RIGHTS ARE EXPRESSLY RESERVED BY SAMTEC, INC. THIS DOCUMENT SHALL NOT BE DISCLOSED, IN WHOLE OR PART, TO ANY UNAUTHORIZED PERSON OR ENTITY NOR REPRODUCED, TRANSFERRED OR INCORPORATED IN ANY OTHER PROJECT IN ANY MANNER WITHOUT THE EXPRESS WRITTEN CONSENT OF SAMTEC, INC.</p>	<p>samtec</p> <p>520 PARK EAST BLVD, NEW ALBANY, IN 47150 PHONE: 812-944-6733 FAX: 812-948-5047 e-Mail info@SAMTEC.com code 55322</p>		
	<p>DO NOT SCALE DRAWING SHEET SCALE: 3:1</p>	<p>DESCRIPTION: HARDWARE KIT</p>	
	<p>DWG. NO. SURE-EC-XX</p>		
	<p>BY: EVE L</p>	<p>4/16/2024</p>	<p>SHEET 1 OF 4</p>

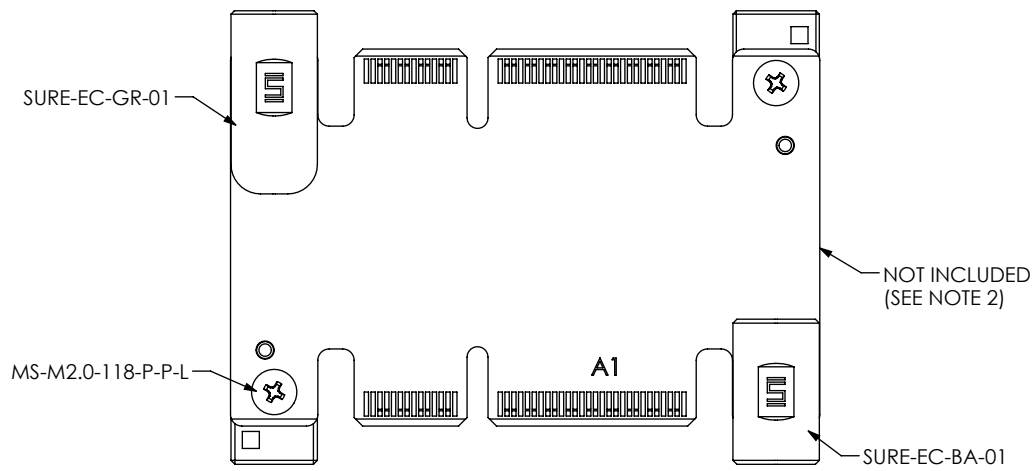


FIG 2
SURE-EC-02
(EDGE CARD HARDWARE)

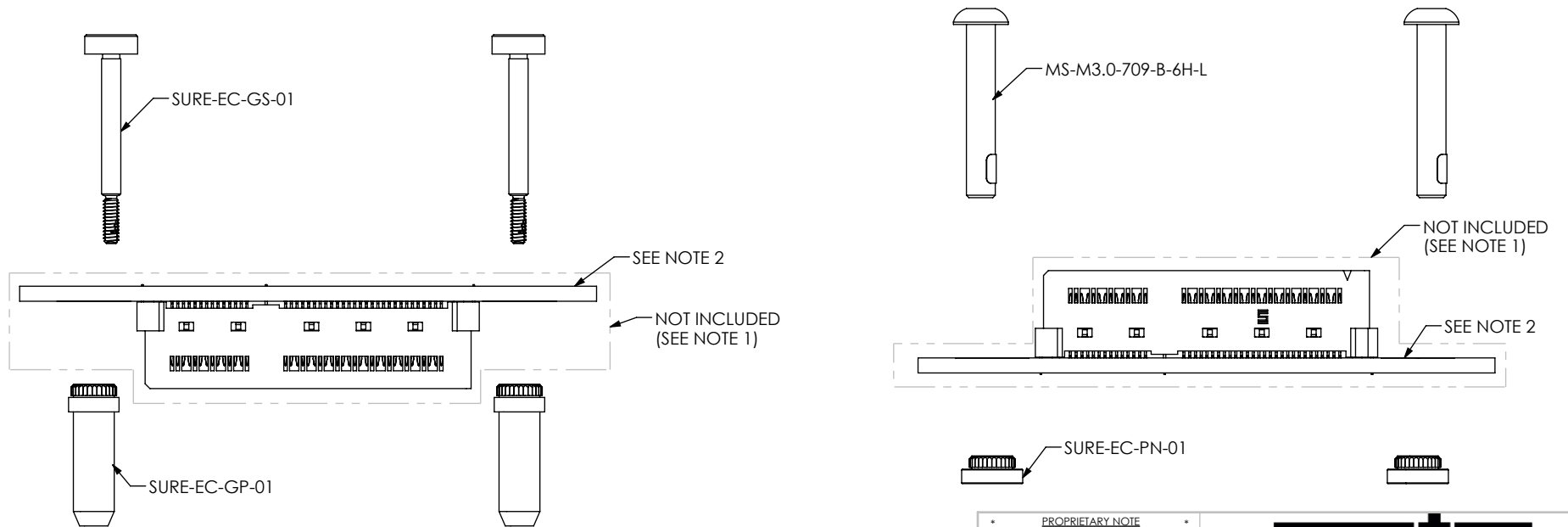


FIG 3
SURE-EC-03
(TOP/BOTTOM PCB HARDWARE)

PROPRIETARY NOTE
 THIS DOCUMENT CONTAINS CONFIDENTIAL AND PROPRIETARY INFORMATION AND ALL DESIGN, MANUFACTURING, REPRODUCTION, USE, PATENT RIGHTS AND SALES RIGHTS ARE EXPRESSLY RESERVED BY SAMTEC, INC. THIS DOCUMENT SHALL NOT BE DISCLOSED, IN WHOLE OR PART, TO ANY UNAUTHORIZED PERSON OR ENTITY NOR REPRODUCED, TRANSFERRED OR INCORPORATED IN ANY OTHER PROJECT IN ANY MANNER WITHOUT THE EXPRESS WRITTEN CONSENT OF SAMTEC, INC.



520 PARK EAST BLVD, NEW ALBANY, IN 47150
 PHONE: 812-944-6733 FAX: 812-948-5047
 e-Mail info@SAMTEC.com code 55322

SHEET SCALE: 3:1
 DO NOT SCALE DRAWING

DESCRIPTION:
 HARDWARE KIT

DWG. NO.
 SURE-EC-XX

BY: EVE L 4/16/2024 SHEET 2 OF 4

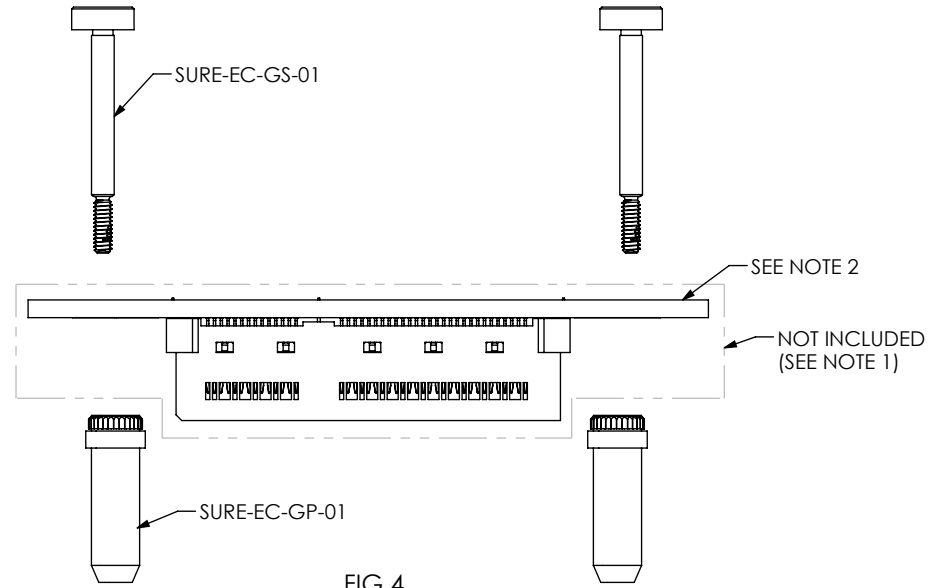


FIG 4
SURE-EC-04
(TOP PCB HARDWARE)

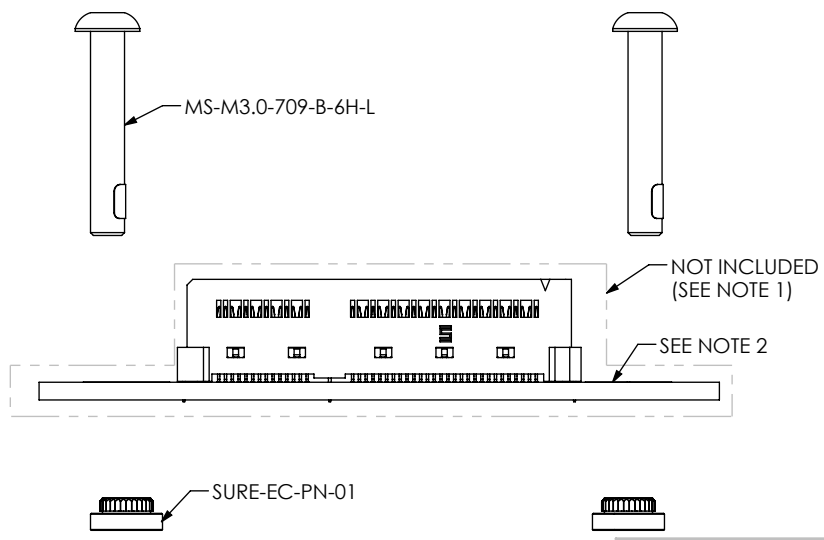


FIG 5
SURE-EC-05
(BOTTOM PCB HARDWARE)

PROPRIETARY NOTE
 THIS DOCUMENT CONTAINS CONFIDENTIAL AND PROPRIETARY INFORMATION AND ALL DESIGN, MANUFACTURING, REPRODUCTION, USE, PATENT RIGHTS AND SALES RIGHTS ARE EXPRESSLY RESERVED BY SAMTEC, INC. THIS DOCUMENT SHALL NOT BE DISCLOSED, IN WHOLE OR PART, TO ANY UNAUTHORIZED PERSON OR ENTITY NOR REPRODUCED, TRANSFERRED OR INCORPORATED IN ANY OTHER PROJECT IN ANY MANNER WITHOUT THE EXPRESS WRITTEN CONSENT OF SAMTEC, INC.



520 PARK EAST BLVD., NEW ALBANY, IN 47150
 PHONE: 812-944-6733 FAX: 812-948-5047
 e-Mail info@SAMTEC.com code 55322

SHEET SCALE: 3:1
 DO NOT SCALE DRAWING

DESCRIPTION:
 HARDWARE KIT

DWG. NO.
 SURE-EC-XX

BY: EVE L 4/16/2024 SHEET 3 OF 4

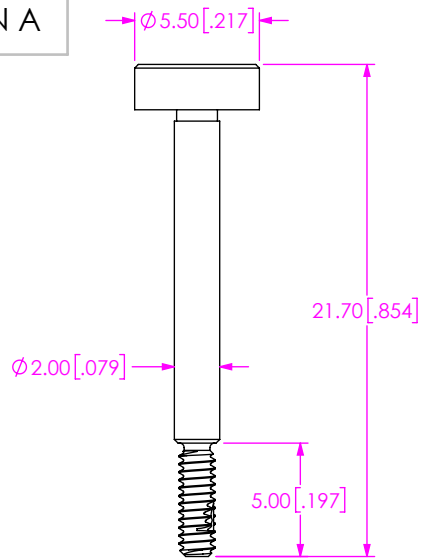


FIG 6
SURE-EC-GS-01 SHOWN
(ALL DIM ARE REF)

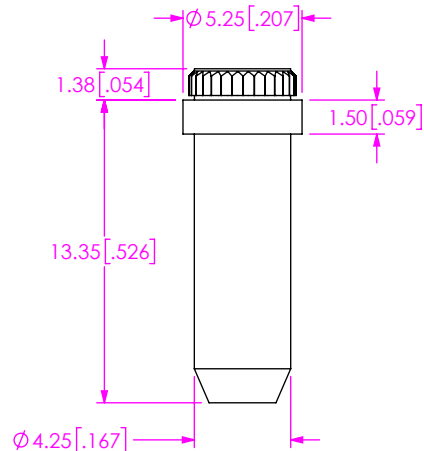


FIG 7
SURE-EC-GP-01 SHOWN
(ALL DIM ARE REF)

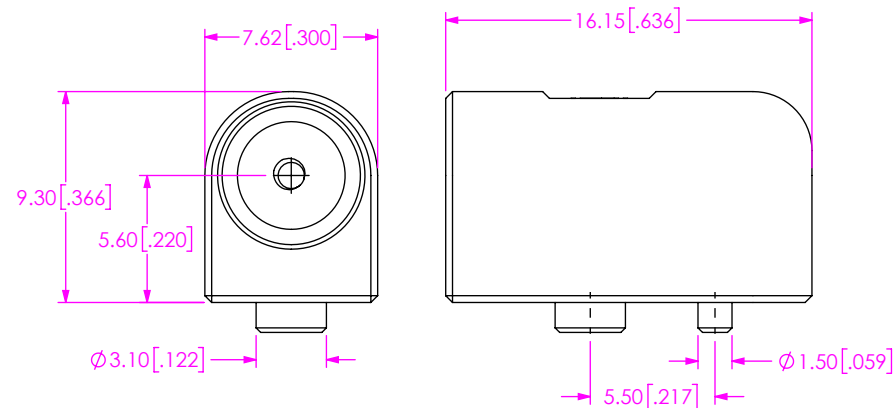


FIG 8
SURE-EC-GR-01 SHOWN
(ALL DIM ARE REF)

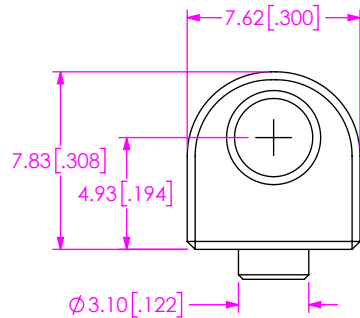


FIG 9
SURE-EC-BA-01 SHOWN
(ALL DIM ARE REF)

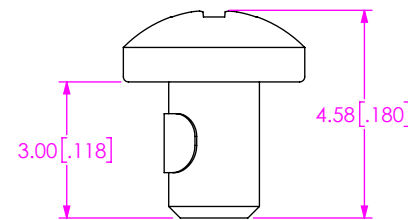
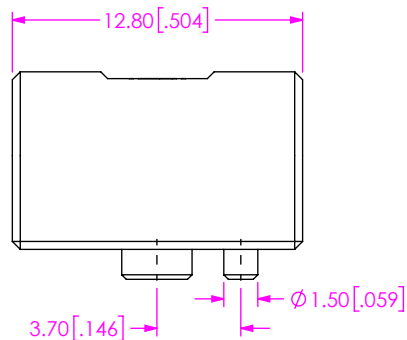


FIG 10
MS-M2.0-118-P-L SHOWN
(ALL DIM ARE REF)

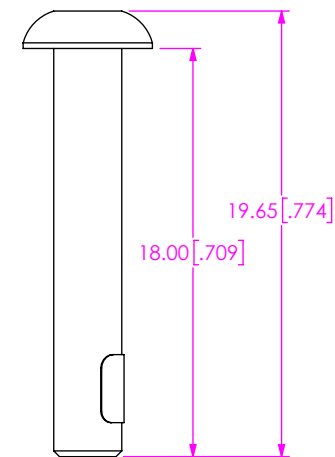


FIG 11
MS-M3.0-709-B-6H-L SHOWN
(ALL DIM ARE REF)

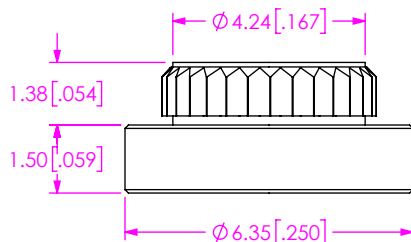


FIG 12
SURE-EC-PN-01 SHOWN
(ALL DIM ARE REF)

PROPRIETARY NOTE
THIS DOCUMENT CONTAINS CONFIDENTIAL AND PROPRIETARY INFORMATION AND ALL DESIGN, MANUFACTURING, REPRODUCTION, USE, PATENT RIGHTS AND SALES RIGHTS ARE EXPRESSLY RESERVED BY SAMTEC, INC. THIS DOCUMENT SHALL NOT BE DISCLOSED, IN WHOLE OR PART, TO ANY UNAUTHORIZED PERSON OR ENTITY NOR REPRODUCED, TRANSFERRED OR INCORPORATED IN ANY OTHER PROJECT IN ANY MANNER WITHOUT THE EXPRESS WRITTEN CONSENT OF SAMTEC, INC.

DO NOT SCALE DRAWING
SHEET SCALE: 3:1

samtec

520 PARK EAST BLVD, NEW ALBANY, IN 47150
PHONE: 812-944-6733 FAX: 812-948-5047
e-Mail info@SAMTEC.com code 55322

DESCRIPTION: HARDWARE KIT

DWG. NO. SURE-EC-XX

BY: EVE L 4/16/2024 SHEET 4 OF 4