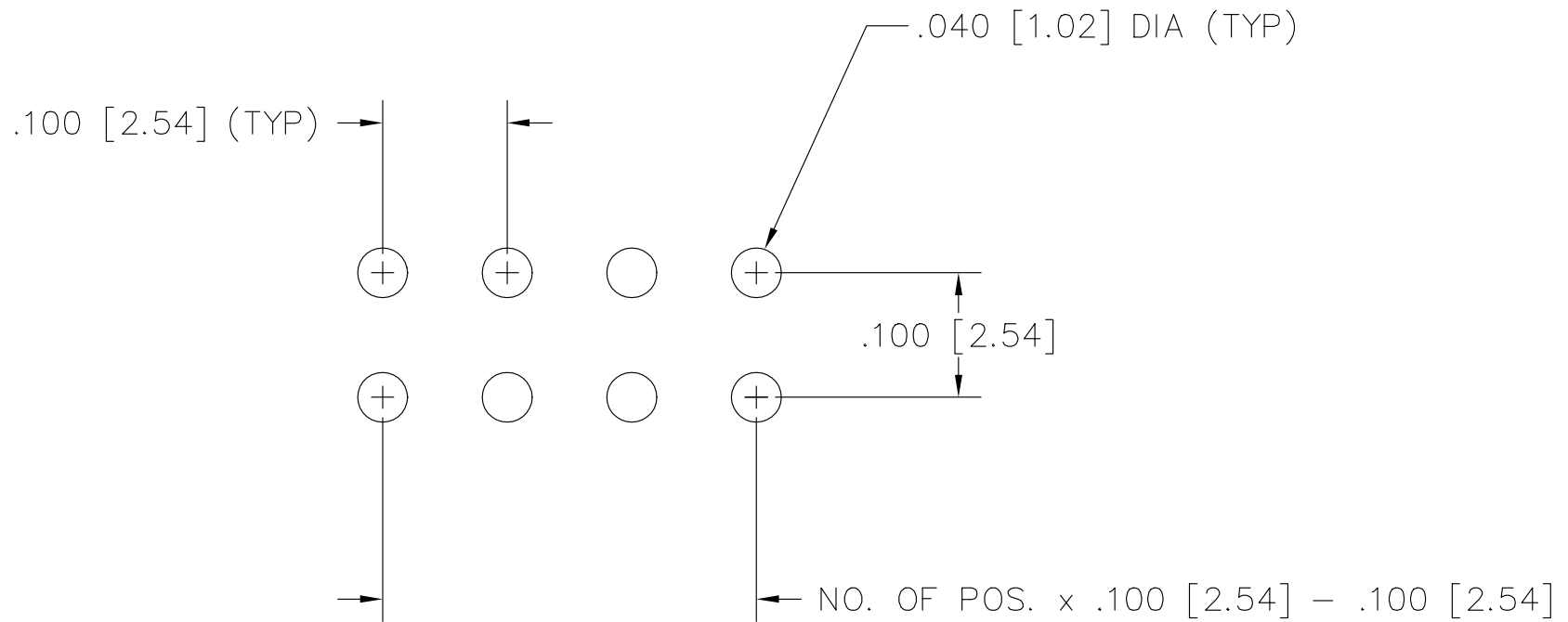


# RECOMMENDED P.C. BOARD LAYOUT FOR TSSH-RA

REV. 0



MISC\MKTG\FOOTPRNT  
TSSH-RA

**samtec**

520 PARK EAST BLVD. NEW ALBANY, INDIANA 47150  
PHONE (812) 944-6733 P.O. BOX 1147

PLOT SCALE: 1 = .1