

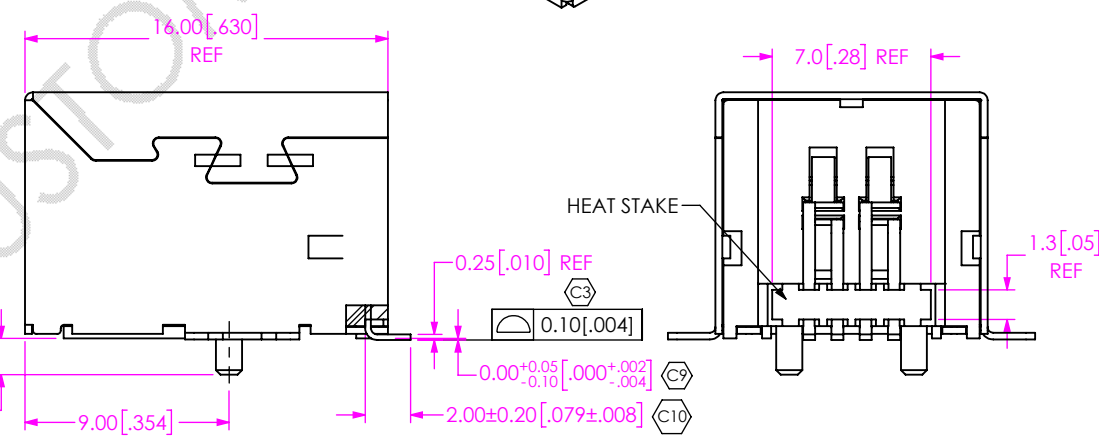
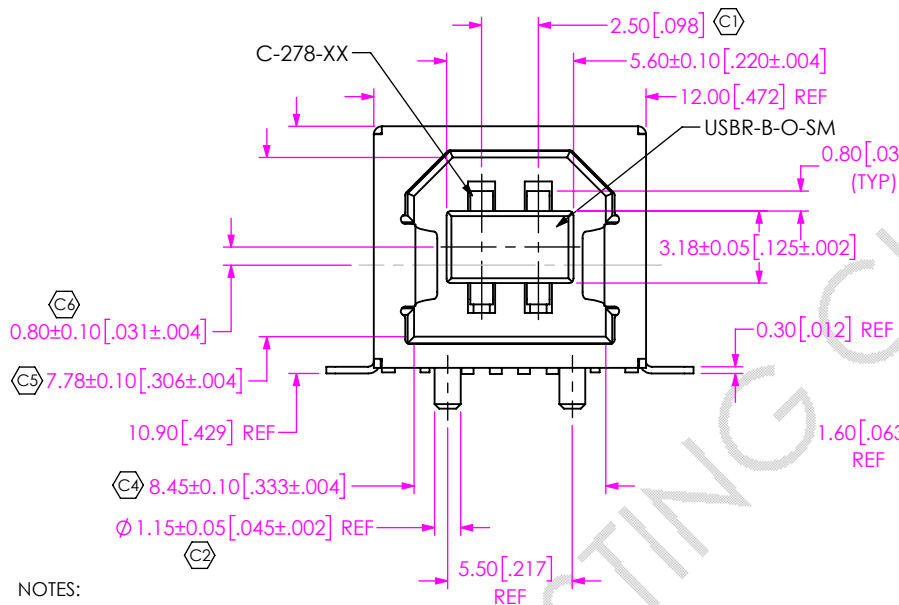
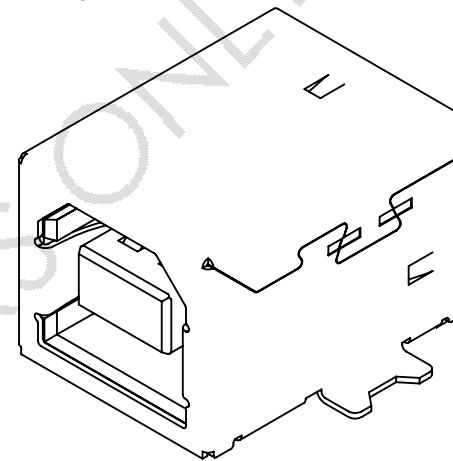
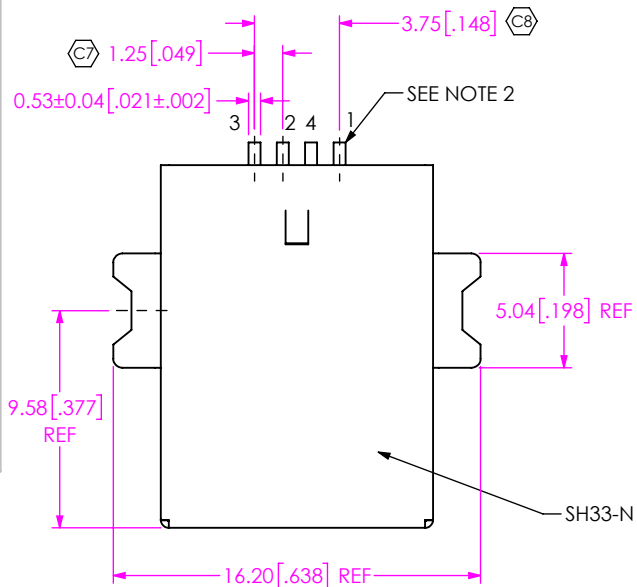
DO NOT SCALE FROM THIS PRINT

DESIGNED & DIMENSIONED IN MILLIMETERS [INCHES]


USB-R-B-S-X-O-SM-XX

TYPE B
 CONFIGURATION -S: SINGLE
 PACKAGING -TR: TAPE AND REEL
 OPTION -SM: SURFACE MOUNT
 COLOR -O: ORANGE

PLATING SPECIFICATION
 -F: 1µ" FLASH GOLD ON CONTACT AREA, MATTE TIN ON TAIL
 -S: 30µ" SELECTIVE GOLD ON CONTACT AREA, MATTE TIN ON TAIL



- NOTES:
1. Ⓢ REPRESENTS A CRITICAL DIMENSION.
 2. BURR ALLOWANCE: 0.038 [0.015] MAX.
 3. PARTS TO BE PACKAGED IN TRAYS.
 4. ROHS COMPLIANT.
 5. SHIELD PLATING TO HAVE A SLIGHT MATTE APPEARANCE.
 6. ORDERS WILL BE PACKAGED ACCORDING TO THE SAMTEC PACKAGING EFFICIENCY STANDARDS (SPES) FOUND ON WWW.SAMTEC.COM

<p>UNLESS OTHERWISE SPECIFIED, DIMENSIONS ARE IN MILLIMETERS [INCHES]. TOLERANCES ARE: DECIMALS ANGLES X.X: ±0.25 [.01] 2° X.XX: ±0.13 [.005] X.XXX: ±0.050 [.0020]</p>	<p>PROPRIETARY NOTE THIS DOCUMENT CONTAINS INFORMATION CONFIDENTIAL AND PROPRIETARY TO SAMTEC, INC. AND SHALL NOT BE REPRODUCED OR TRANSFERRED TO OTHER DOCUMENTS OR DISCLOSED TO OTHERS OR USED FOR ANY PURPOSE OTHER THAN THAT WHICH IT WAS OBTAINED WITHOUT THE EXPRESSED WRITTEN CONSENT OF SAMTEC, INC.</p>	 <p>520 PARK EAST BLVD, NEW ALBANY, IN 47150 PHONE: 812-944-6733 FAX: 812-948-5047 e-Mail: info@SAMTEC.com code: 55322</p>
<p>MATERIAL: DO NOT SCALE DRAWING SHEET SCALE: 2:1 INSULATOR: PA 9T COLOR: PANTONE 2028C CONTACT: PHOS BRONZE UNDER .000050~.000080 NICKEL PLATED SHELL: BRASS .000050~.000120 NICKEL PLATED.</p>	<p>DESCRIPTION: HIGH RETENTION USB TYPE B SURFACE MOUNT DWG. NO. USBR-B-S-X-O-SM-XX</p>	<p>BY: ORWELLZ 12/30/2008 SHEET 1 OF 1</p>