

XQXX-XXX-XXXX-SED-TTR-X-X

ALL DIMENSIONS REF
DO NOT SCALE
FROM THIS PRINT

SERIES	TABLE 2		
	"D"	"K"	"L"
EQCD	0.501 [12.73]	0.590 [14.99]	0.775 [19.69]
SQCD	0.825 [15.88]	0.590 [14.99]	0.775 [19.69]
HQCD	0.751 [19.08]	0.590 [14.99]	0.775 [19.69]
EQDP	0.525 [13.34]	0.590 [14.99]	0.775 [19.69]
HQDP	0.800 [20.32]	0.690 [17.53]	0.875 [22.23]
EQSD	0.760 [19.30]	0.590 [14.99]	0.775 [19.69]

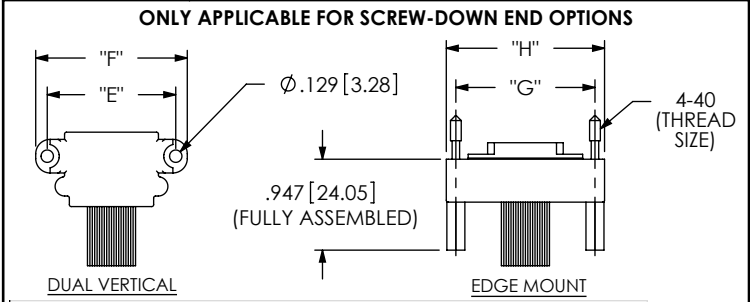
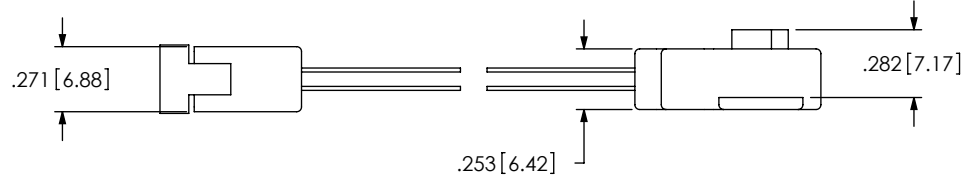
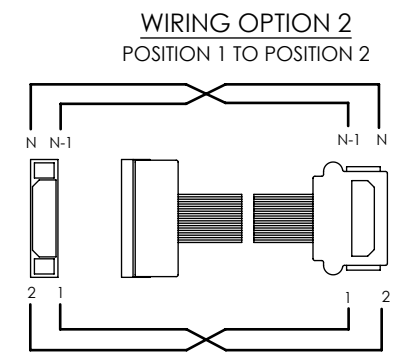
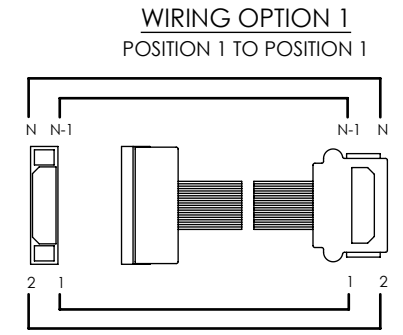
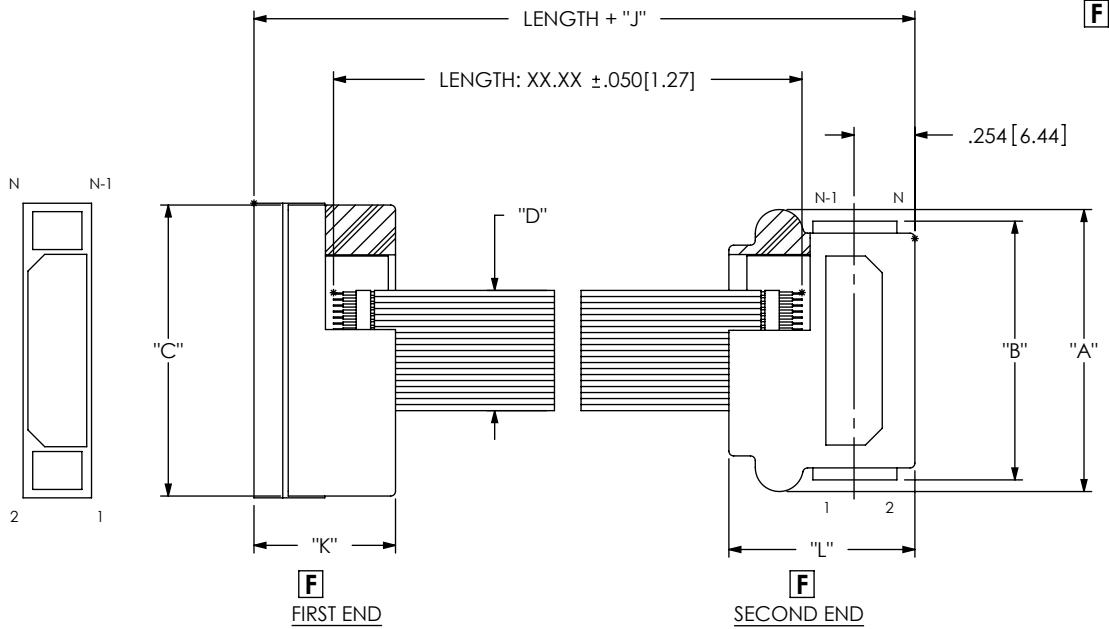


TABLE 1						"A"	"B"	"C"	"J"
EQCD No. OF POSITIONS	SQCD No. OF POSITIONS	HQCD No. OF POSITIONS	EQDP No. OF POSITIONS	HQDP No. OF POSITIONS	EQSD No. OF POSITIONS				
N/A	N/A	N/A	N/A	N/A	-020	1.275 [32.39]	1.178 [29.92]	1.213 [30.80]	0.806 [20.47]
N/A	N/A	N/A	N/A	N/A	-040	2.063 [52.39]	1.965 [49.92]	2.000 [50.80]	0.806 [20.47]
-020	-025	-030	-014	N/A	N/A	1.175 [29.85]	1.078 [27.38]	1.213 [30.80]	0.806 [20.47]
-040	-050	-060	-028	N/A	N/A	1.963 [49.85]	1.866 [47.40]	2.000 [50.80]	0.806 [20.47]
-060	-075	-090	-042	N/A	N/A	2.750 [69.85]	2.653 [67.39]	2.788 [70.80]	0.806 [20.47]
-080	-100	-120	-056	N/A	N/A	3.538 [89.85]	3.441 [87.39]	3.575 [90.80]	0.806 [20.47]
N/A	N/A	N/A	N/A	-020	N/A	1.325 [33.66]	1.128 [28.65]	1.515 [38.48]	1.036 [26.31]
N/A	N/A	N/A	N/A	-040	N/A	2.250 [57.15]	2.053 [52.13]	2.303 [58.50]	1.036 [26.31]
N/A	N/A	N/A	N/A	-060	N/A	3.175 [80.65]	2.978 [75.64]	3.090 [78.49]	1.036 [26.31]
N/A	N/A	N/A	N/A	-080	N/A	4.100 [104.14]	3.903 [99.12]	3.878 [98.50]	1.036 [26.31]

TABLE 3									
EQCD No. OF POSITIONS	SQCD No. OF POSITIONS	HQCD No. OF POSITIONS	EQDP No. OF POSITIONS	HQDP No. OF POSITIONS	EQSD No. OF POSITIONS	"E"	"F"	"G"	"H"
N/A	N/A	N/A	N/A	N/A	-020	1.439 [36.55]	1.889 [47.39]	1.449 [36.80]	1.849 [46.83]
N/A	N/A	N/A	N/A	N/A	-040	2.227 [56.55]	2.486 [62.39]	2.237 [56.81]	2.436 [61.87]
-020	-025	-030	-014	N/A	N/A	1.329 [34.00]	1.579 [40.10]	1.449 [36.80]	1.849 [46.83]
-040	-050	-060	-028	N/A	N/A	2.125 [54.00]	2.386 [60.10]	2.237 [56.81]	2.436 [61.87]
-060	-075	-090	-042	N/A	N/A	2.913 [74.00]	3.164 [80.10]	3.024 [76.80]	3.224 [81.89]
-080	-100	-120	-056	N/A	N/A	3.701 [94.00]	3.941 [100.10]	3.812 [96.81]	4.011 [101.88]
N/A	N/A	N/A	N/A	-020	N/A	1.489 [37.52]	1.719 [43.66]	1.751 [44.48]	1.951 [49.56]
N/A	N/A	N/A	N/A	-040	N/A	2.414 [61.22]	2.644 [67.36]	2.539 [64.49]	2.739 [69.57]
N/A	N/A	N/A	N/A	-060	N/A	3.339 [84.21]	3.569 [90.35]	3.326 [84.43]	3.526 [89.51]
N/A	N/A	N/A	N/A	-080	N/A	4.264 [108.31]	4.494 [114.15]	4.414 [104.50]	4.314 [109.53]

PROPRIETARY NOTE
THIS DOCUMENT CONTAINS INFORMATION
CONFIDENTIAL AND PROPRIETARY TO
SAMTEC, INC. AND SHALL NOT BE REPRODUCED
OR TRANSFERRED TO OTHER DOCUMENTS OR
DISCLOSED TO OTHERS OR USED FOR ANY
PURPOSE OTHER THAN THAT WHICH IT WAS
OBTAINED WITHOUT THE EXPRESSED WRITTEN
CONSENT OF SAMTEC, INC.

520 PARK EAST BLVD. NEW ALBANY, IN 47150
PHONE: 812-944-6733 FAX: 812-948-5047
e-Mail: info@SAMTEC.com code: 55322

SHEET SCALE: 1.25:1

DESCRIPTION:
QXX / QTX CABLE ASSEMBLY
DWG. NO.
XQXX-XXX-XXXX-SED-TTR-X-X
BY: BRATCHER 6/20/2003 SHEET 1 OF 1