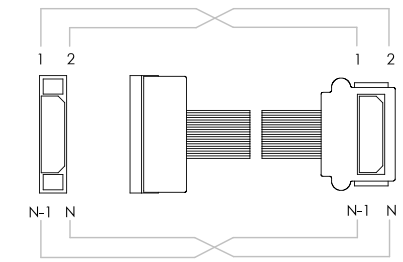


XQXX-XXX-XXXX-SEU-STR-X-X

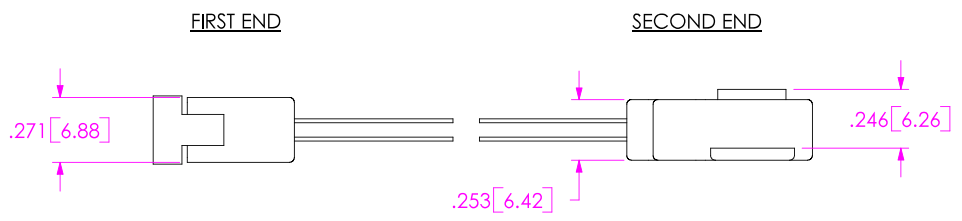
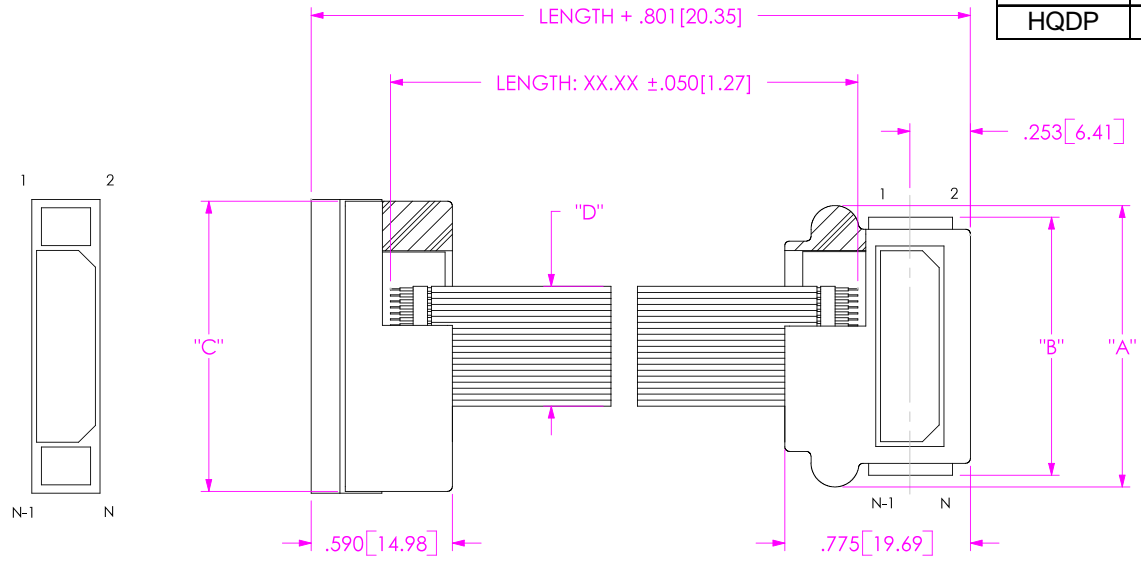
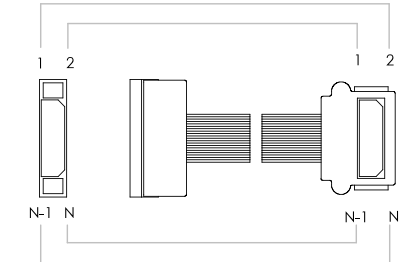
ALL DIMENSIONS REF
 DO NOT SCALE
 FROM THIS PRINT

SERIES	"D"
EQCD	0.501 [12.73]
SQCD	0.625 [15.88]
HQCD	0.751 [19.08]
EQDP	0.525 [13.34]
HQDP	0.750 [19.05]

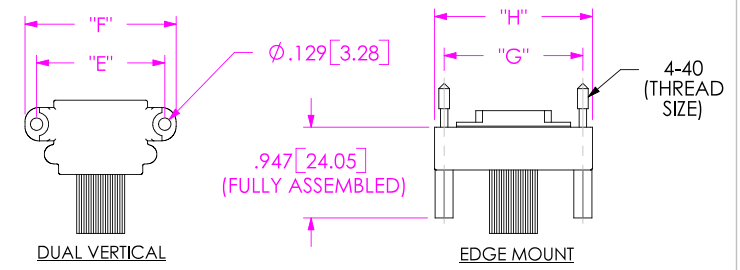
WIRING OPTION 1
 POSITION 1 TO POSITION 1



WIRING OPTION 2
 POSITION 1 TO POSITION 2



ONLY APPLICABLE FOR SCREW-DOWN END OPTIONS



EQCD	SQCD	HQCD	EQDP	HQDP	"A"	"B"	"C"
No. OF POSITIONS	No. OF POSITIONS	No. OF POSITIONS	No. OF POSITIONS	No. OF POSITIONS			
-020	-025	-030	-014	-020	1.175[29.85]	1.078[27.38]	1.213[30.80]
-040	-050	-060	-028	-040	1.963[49.85]	1.866[47.40]	2.000[50.80]
-060	-075	-090	-042	-060	2.750[69.85]	2.653[67.39]	2.788[70.80]
-080	-100	-120	-056	-080	3.538[89.85]	3.441[87.39]	3.575[90.80]

EQCD	SQCD	HQCD	EQDP	HQDP	"E"	"F"	"G"	"H"
No. OF POSITIONS	No. OF POSITIONS	No. OF POSITIONS	No. OF POSITIONS	No. OF POSITIONS				
-020	-025	-030	-014	-020	1.339[34.00]	1.579[40.10]	1.449[36.80]	1.649[41.87]
-040	-050	-060	-028	-040	2.126[54.00]	2.366[60.10]	2.237[56.80]	2.436[61.87]
-060	-075	-090	-042	-060	2.913[74.00]	3.154[80.10]	3.024[76.80]	3.224[81.87]
-080	-100	-120	-056	-080	3.701[94.00]	3.941[100.10]	3.812[96.80]	4.011[101.87]

PROPRIETARY NOTE
 THIS DOCUMENT CONTAINS INFORMATION CONFIDENTIAL AND PROPRIETARY TO SAMTEC, INC. AND SHALL NOT BE REPRODUCED OR TRANSFERRED TO OTHER DOCUMENTS OR DISCLOSED TO OTHERS OR USED FOR ANY PURPOSE OTHER THAN THAT WHICH IT WAS OBTAINED WITHOUT THE EXPRESSED WRITTEN CONSENT OF SAMTEC, INC.

SAMTEC

520 PARK EAST BLVD, NEW ALBANY, IN 47150
 PHONE: 812.944.6733 FAX: 812.948.5047
 e-Mail: INFO@SAMTEC.COM CODE: 55322

SHEET SCALE: 1:25:1



DESCRIPTION:
 QSX / QSX CABLE ASSEMBLY

DWG. NO.
 XQXX-XXX-XXXX-SEU-STR-X-X

BY: BRATCHER 6/20/2003 SHEET 1 OF 1