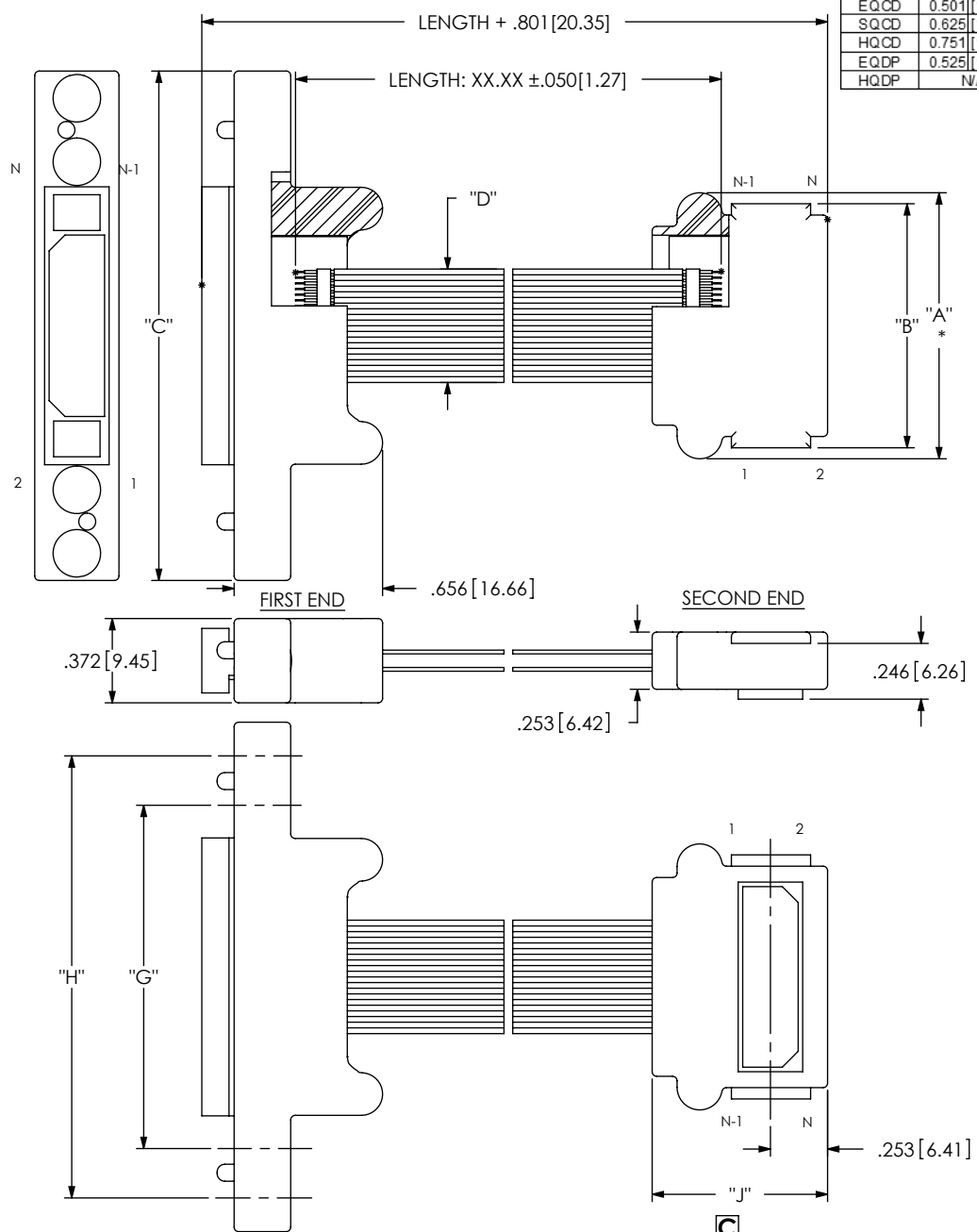


# XQXX-XXX-XXXX-SPD-SBR-X-X

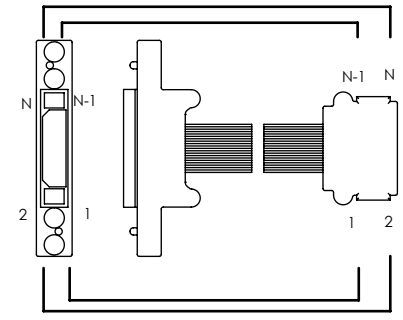
ALL DIMENSIONS REF  
DO NOT SCALE  
FROM THIS PRINT



SERIES	"D"	"J"
EQCD	0.501 [12.73]	0.775 [19.69]
SQCD	0.625 [15.88]	0.775 [19.69]
HQCD	0.751 [19.08]	0.775 [19.69]
EQDP	0.525 [13.34]	0.775 [19.69]
HQDP	N/A	0.875 [22.23]

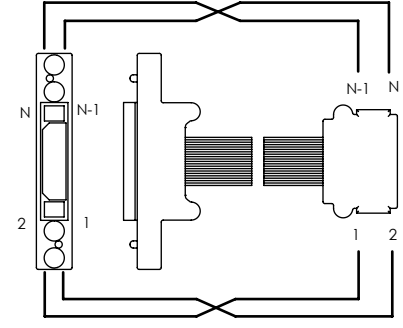
## WIRING OPTION 1

POSITION 1 TO POSITION 1

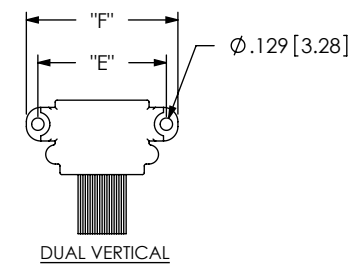


## WIRING OPTION 2

POSITION 1 TO POSITION 2



ONLY APPLICABLE FOR SCREW-DOWN END OPTIONS (SECOND END ONLY)



DUAL VERTICAL

EQCD	SQCD	HQCD	EQDP	HQDP	"E"	"F"
No. OF POSITIONS	No. OF POSITIONS	No. OF POSITIONS	No. OF POSITIONS	No. OF POSITIONS		
-020	-025	-030	-014	N/A	1.339 [34.00]	1.579 [40.10]
-040	-050	-060	-028	N/A	2.126 [54.00]	2.366 [60.10]
-080	-075	-090	-042	N/A	2.913 [74.00]	3.154 [80.10]
-080	-100	-120	-056	N/A	3.701 [94.00]	3.941 [100.10]

EQCD	SQCD	HQCD	*EQDP	HQDP	"A"	"B"	"C"	"G"	"H"
No. OF POSITIONS	No. OF POSITIONS	No. OF POSITIONS	No. OF POSITIONS	No. OF POSITIONS					
-020	-025	-030	-014	N/A	1.175 [29.85]	1.078 [27.38]	2.25 [57.15]	1.449 [36.80]	2.010 [51.05]
-040	-050	-060	-028	N/A	1.963 [49.85]	1.866 [47.40]	3.038 [77.17]	2.237 [56.80]	2.798 [71.07]
-080	-075	-090	-042	N/A	2.750 [69.85]	2.653 [67.39]	3.826 [97.18]	3.024 [76.80]	3.585 [91.05]
-080	-100	-120	-056	N/A	3.538 [89.85]	3.441 [87.38]	N/A	N/A	N/A

\* = NOT TOOLED

**PROPRIETARY NOTE**  
THIS DOCUMENT CONTAINS INFORMATION CONFIDENTIAL AND PROPRIETARY TO SAMTEC, INC. AND SHALL NOT BE REPRODUCED OR TRANSFERRED TO OTHER DOCUMENTS OR DISCLOSED TO OTHERS OR USED FOR ANY PURPOSE OTHER THAN THAT WHICH IT WAS OBTAINED WITHOUT THE EXPRESSED WRITTEN CONSENT OF SAMTEC, INC.

520 PARK EAST BLVD. NEW ALBANY, IN 47150  
PHONE: 812-944-6733 FAX: 812-948-5047  
e-Mail: info@SAMTEC.com code: 55322

SHEET SCALE: 1.25:1

DESCRIPTION:  
**QSX / QSX CABLE ASSEMBLY**

DWG. NO.  
**XQXX-XXX-XXXX-SPD-SBR-X-X**

BY: D FRALEY 05/23/2006 SHEET 1 OF 1