

# XQXX-XXX-XXXX-SPD-TBR-X-X

5/18/2012 ECN-178184

ALL DIMENSIONS REF  
DO NOT SCALE  
FROM THIS PRINT

ECN APPROVAL FOR  
CURRENT REV IS  
PENDING

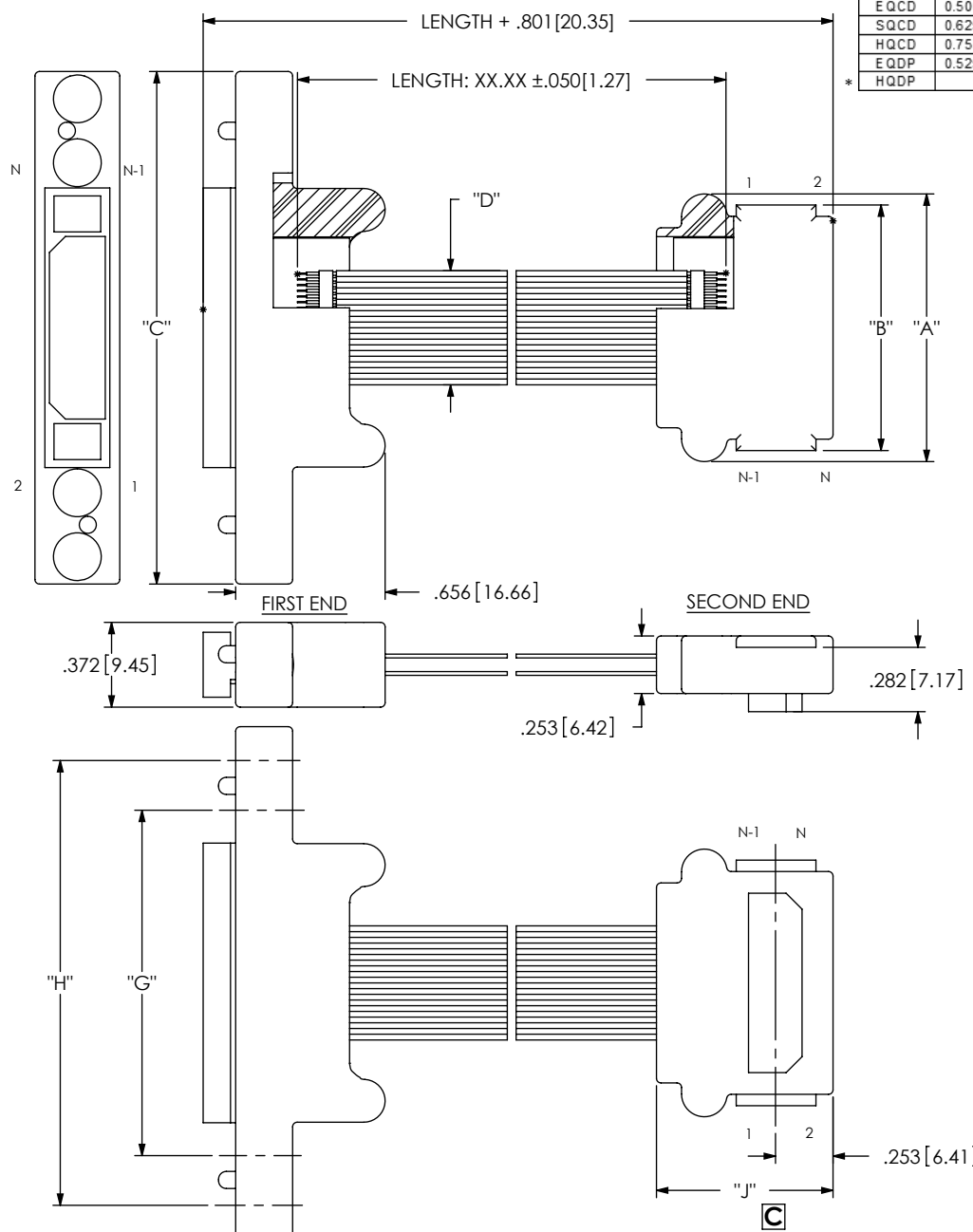
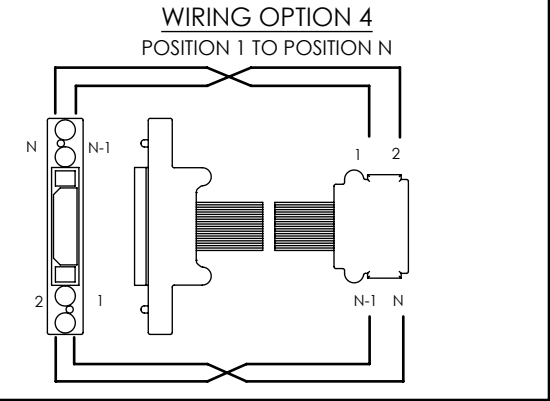
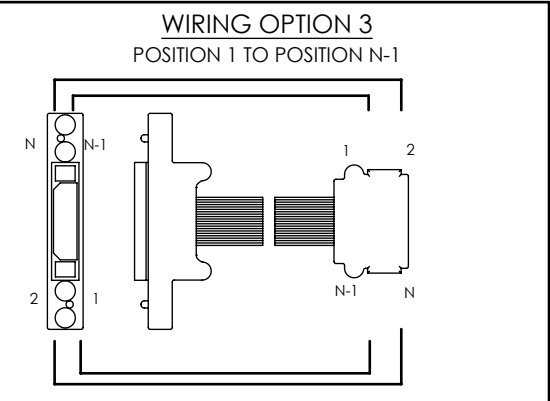
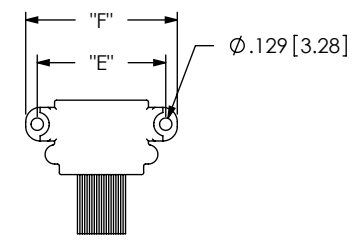


TABLE 2

SERIES	"D"	"J"
EQCD	0.501 [12.73]	0.775 [19.69]
SQCD	0.625 [15.88]	0.775 [19.69]
HQCD	0.751 [19.08]	0.775 [19.69]
EQDP	0.525 [13.34]	0.775 [19.69]
HQDP	N/A	0.875 [22.23]



ONLY APPLICABLE FOR SCREW-DOWN END OPTIONS (SECOND END ONLY)



DUAL VERTICAL

TABLE 3

EQCD	SQCD	HQCD	EQDP	* HQDP	"E"	"F"
No. OF POSITIONS	No. OF POSITIONS	No. OF POSITIONS	No. OF POSITIONS	No. OF POSITIONS		
-020	-025	-030	-014	N/A	1.339[34.00]	1.579[40.10]
-040	-050	-060	-028	N/A	2.128[54.00]	2.388[60.10]
-060	-075	-090	-042	N/A	2.913[74.00]	3.154[80.10]
-080	-100	-120	-056	N/A	3.701[94.00]	3.941[100.10]

TABLE 1

EQCD	SQCD	HQCD	EQDP	* HQDP	"A"	"B"	"C"	"G"	"H"
No. OF POSITIONS	No. OF POSITIONS	No. OF POSITIONS	No. OF POSITIONS	No. OF POSITIONS					
-020	-025	-030	-014	N/A	1.175[29.85]	1.078[27.38]	2.25[57.15]	1.449[36.80]	2.010[51.05]
-040	-050	-060	-028	N/A	1.963[49.85]	1.866[47.40]	3.038[77.17]	2.237[56.80]	2.798[71.07]
-060	-075	-090	-042	N/A	2.750[69.85]	2.653[67.39]	3.826[97.18]	3.024[76.80]	3.585[91.06]
-080	-100	-120	-056	N/A	3.538[89.85]	3.441[87.39]	N/A	N/A	N/A

\* = NOT TOOLED

F:\DWG\MISC\mktg\XQXX\XQXX-SPD-TBR.SLDDRW

PROPRIETARY NOTE  
THIS DOCUMENT CONTAINS INFORMATION  
CONFIDENTIAL AND PROPRIETARY TO  
SAMTEC, INC. AND SHALL NOT BE REPRODUCED  
OR TRANSFERRED TO OTHER DOCUMENTS OR  
DISCLOSED TO OTHERS OR USED FOR ANY  
PURPOSE OTHER THAN THAT WHICH IT WAS  
OBTAINED WITHOUT THE EXPRESSED WRITTEN  
CONSENT OF SAMTEC, INC.



520 PARK EAST BLVD. NEW ALBANY, IN 47150  
PHONE: 812-944-6733 FAX: 812-948-5047  
e-Mail: info@SAMTEC.com code: 55322

SHEET SCALE: 1:0.8

DESCRIPTION:  
QXX / QTX CABLE ASSEMBLY

DWG. NO.  
XQXX-XXX-XXXX-SPD-TBR-X-X

BY: D FRALEY 05/26/2006 SHEET 1 OF 1