

XQXX-XXX-XXXX-SPD-TTR-X-X

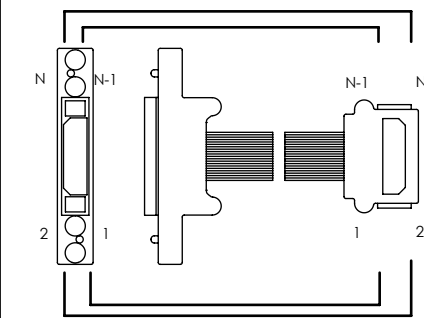
E:21/2012 ECN:178247

ALL DIMENSIONS REF
DO NOT SCALE
FROM THIS PRINT

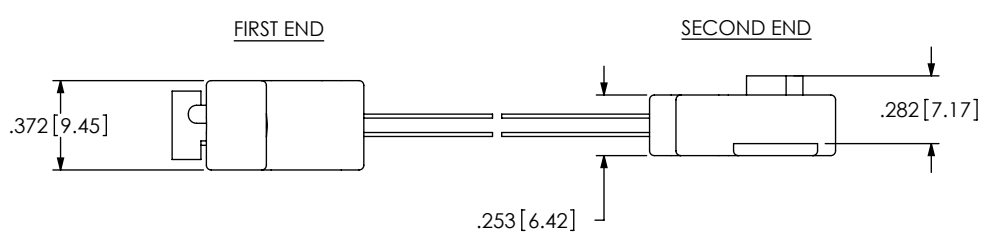
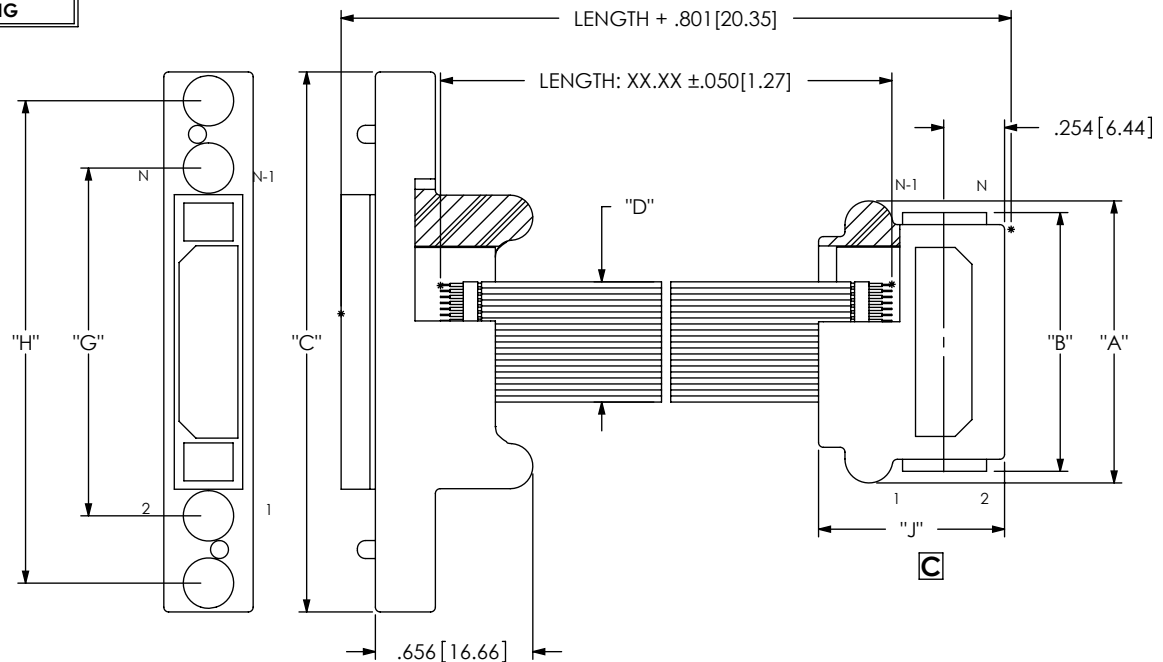
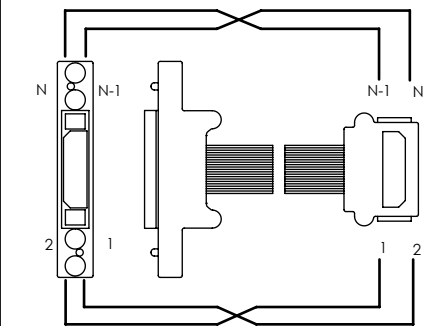
ECN APPROVAL FOR
CURRENT REV IS
PENDING

SERIES	"C"	"J"
EQCD	0.501 [12.73]	0.775 [19.69]
SQCD	0.625 [15.88]	0.775 [15.88]
HQCD	0.751 [19.08]	0.775 [19.69]
EQDP	0.525 [13.34]	0.775 [19.69]
HQDP	N/A	0.875 [22.23]

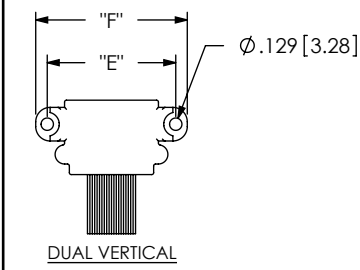
WIRING OPTION 1 POSITION 1 TO POSITION 1



WIRING OPTION 2 POSITION 1 TO POSITION 2



ONLY APPLICABLE FOR SCREW-DOWN END OPTIONS (SECOND END ONLY)



EQCD	SQCD	HQCD	EQDP	* HQDP	"E"	"F"
No. OF POSITIONS	No. OF POSITIONS	No. OF POSITIONS	No. OF POSITIONS	No. OF POSITIONS		
-020	-025	-030	-014	N/A	1.339[34.00]	1.579[40.10]
-040	-050	-060	-028	N/A	2.128[54.00]	2.386[60.10]
-060	-075	-090	-042	N/A	2.913[74.00]	3.154[80.10]
-080	-100	-120	-056	N/A	3.701[94.00]	3.941[100.10]

EQCD	SQCD	HQCD	EQDP	* HQDP	"A"	"B"	"C"	"G"	"H"
No. OF POSITIONS	No. OF POSITIONS	No. OF POSITIONS	No. OF POSITIONS	No. OF POSITIONS					
-020	-025	-030	-014	N/A	1.175[29.85]	1.078[27.38]	2.25[57.15]	1.449[36.80]	2.010[51.05]
-040	-050	-060	-028	N/A	1.963[49.85]	1.866[47.40]	3.038[77.17]	2.237[56.80]	2.798[71.07]
-060	-075	-090	-042	N/A	2.750[69.85]	2.653[67.39]	3.826[97.18]	3.024[76.80]	3.585[91.06]
-080	-100	-120	-056	N/A	3.538[89.85]	3.441[87.39]	N/A	N/A	N/A

PROPRIETARY NOTE
THIS DOCUMENT CONTAINS INFORMATION CONFIDENTIAL AND PROPRIETARY TO SAMTEC, INC. AND SHALL NOT BE REPRODUCED OR TRANSFERRED TO OTHER DOCUMENTS OR DISCLOSED TO OTHERS OR USED FOR ANY PURPOSE OTHER THAN THAT WHICH IT WAS OBTAINED WITHOUT THE EXPRESSED WRITTEN CONSENT OF SAMTEC, INC.

samtec
520 PARK EAST BLVD, NEW ALBANY, IN 47150
PHONE: 812-944-6733 FAX: 812-948-5047
e-Mail: info@SAMTEC.com code: 55322

SHEET SCALE: 1:25:1

DESCRIPTION:
QSX / QTX CABLE ASSEMBLY

DWG. NO.
XQXX-XXX-XXXX-SPD-TTR-X-X

BY: D FRALEY 05/26/2006 SHEET 1 OF 1