

XQXX-XXX-XXXX-TED-TTR-X-X

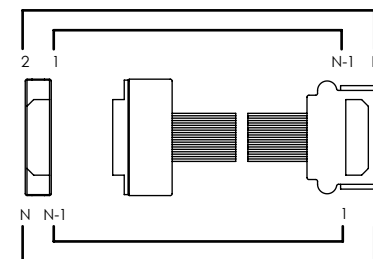
ALL DIMENSIONS REF
DO NOT SCALE
FROM THIS PRINT

SERIES	"D"		"K"		"L"	
EQCD	0.501	[12.73]	0.619	[15.72]	0.775	[19.69]
SQCD	0.625	[15.88]	0.619	[15.72]	0.775	[19.69]
HQCD	0.751	[19.08]	0.619	[15.72]	0.775	[19.69]
EQDP	0.525	[13.34]	0.619	[15.72]	0.775	[19.69]
HQDP	0.800	[20.32]	0.719	[18.26]	0.875	[22.23]
EQSD	0.760	[19.30]	0.619	[15.72]	0.775	[19.69]

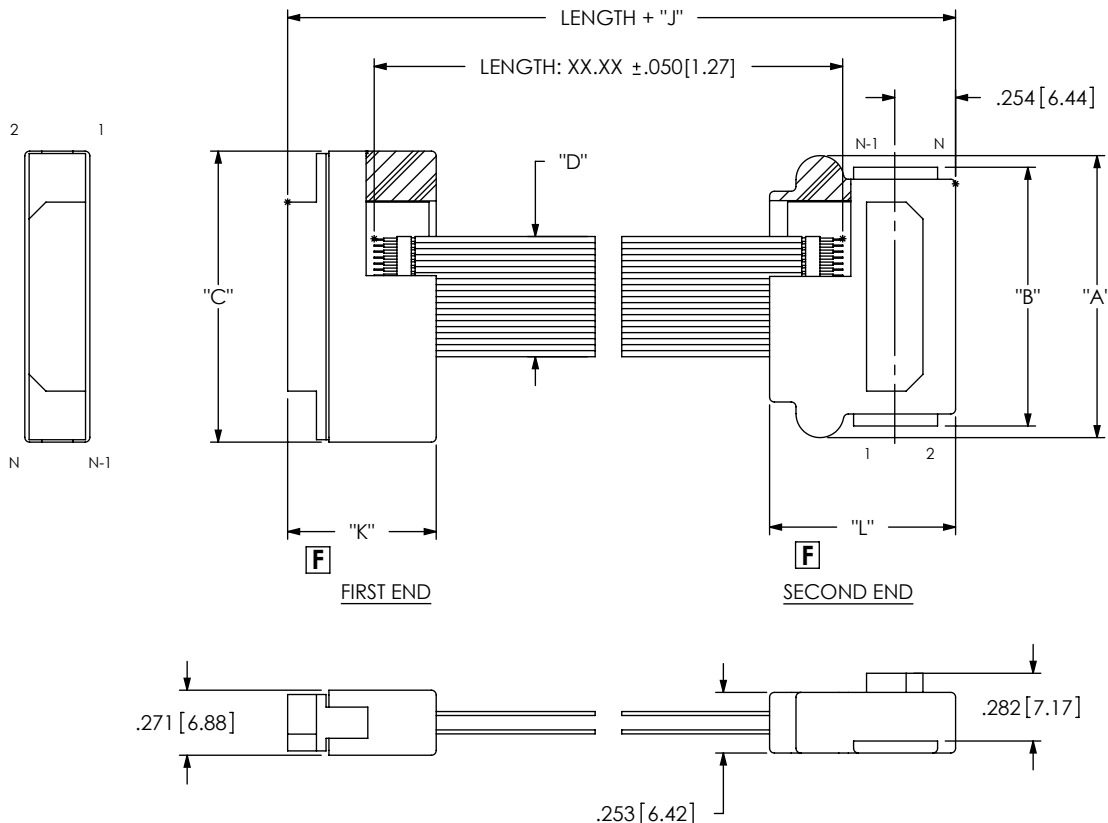
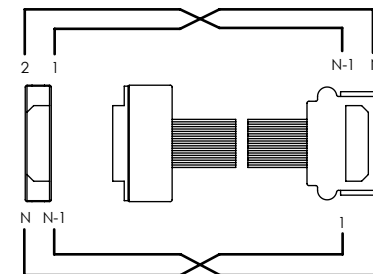
F

F

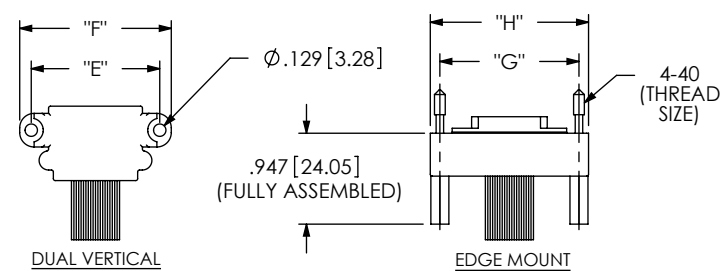
WIRING OPTION 3 POSITION 1 TO POSITION N-1



WIRING OPTION 4 POSITION 1 TO POSITION N



ONLY APPLICABLE FOR SCREW-DOWN END OPTIONS



EQDD	SQDD	HQDD	EQDP	HQDP	EQSD	"E"	"F"	"G"	"H"				
NO. OF POSITIONS	NO. OF POSITIONS	NO. OF POSITIONS	NO. OF POSITIONS	NO. OF POSITIONS	NO. OF POSITIONS								
N/A	N/A	N/A	N/A	N/A	-020	1.439	[36.55]	1.669	[42.39]	1.449	[36.80]	1.649	[41.88]
N/A	N/A	N/A	N/A	N/A	-040	2.227	[56.55]	2.456	[62.39]	2.237	[56.81]	2.436	[61.87]
-020	-025	-030	-014	N/A	N/A	1.339	[34.00]	1.579	[40.10]	1.449	[36.80]	1.649	[41.88]
-040	-050	-060	-028	N/A	N/A	2.126	[54.00]	2.366	[60.10]	2.237	[56.81]	2.436	[61.87]
-060	-075	-090	-042	N/A	N/A	2.913	[74.00]	3.154	[80.10]	3.024	[76.80]	3.224	[81.89]
-080	-100	-120	-056	N/A	N/A	3.701	[94.00]	3.941	[100.10]	3.812	[96.81]	4.011	[101.88]
N/A	N/A	N/A	N/A	-020	N/A	1.489	[37.82]	1.719	[43.66]	1.751	[44.48]	1.951	[49.56]
N/A	N/A	N/A	N/A	-040	N/A	2.414	[61.32]	2.644	[67.16]	2.539	[64.49]	2.739	[69.57]
N/A	N/A	N/A	N/A	-060	N/A	3.339	[84.81]	3.569	[90.65]	3.326	[84.49]	3.526	[89.56]
N/A	N/A	N/A	N/A	-080	N/A	4.264	[108.31]	4.494	[114.15]	4.114	[104.50]	4.314	[109.58]

PROPRIETARY NOTE

THIS DOCUMENT CONTAINS INFORMATION CONFIDENTIAL AND PROPRIETARY TO SAMTEC, INC. AND SHALL NOT BE REPRODUCED OR TRANSFERRED TO OTHER DOCUMENTS OR DISCLOSED TO OTHERS OR USED FOR ANY PURPOSE OTHER THAN THAT WHICH IT WAS OBTAINED WITHOUT THE EXPRESSED WRITTEN CONSENT OF SAMTEC, INC.

SHEET SCALE: 1:25:1



520 PARK EAST BLVD. NEW ALBANY, IN 47150
PHONE: 812-944-6733 FAX: 812-948-5047
e-Mail: info@SAMTEC.com code: 55322

DESCRIPTION:
QTX / QTX CABLE ASSEMBLY
DWG. NO.
XQXX-XXX-XXXX-TED-TTR-X-X
BY: BRATCHER 6/18/2003 SHEET 1 OF 1

TABLE 1

EQCD	SQCD	HQCD	EQDP	HQDP	EQSD	"A"		"B"		"C"		"J"	
No. OF POSITIONS	No. OF POSITIONS	No. OF POSITIONS	No. OF POSITIONS	No. OF POSITIONS	No. OF POSITIONS								
N/A	N/A	N/A	N/A	N/A	-020	1.275	[32.39]	1.178	[29.92]	1.213	[30.80]	0.835	[21.21]
N/A	N/A	N/A	N/A	N/A	-040	2.063	[52.39]	1.965	[49.92]	2.000	[50.80]	0.835	[21.21]
-020	-025	-030	-014	N/A	N/A	1.175	[29.85]	1.078	[27.38]	1.213	[30.80]	0.835	[21.21]
-040	-050	-060	-028	N/A	N/A	1.963	[49.85]	1.866	[47.40]	2.000	[50.80]	0.835	[21.21]
-060	-075	-090	-042	N/A	N/A	2.750	[69.85]	2.653	[67.39]	2.788	[70.80]	0.835	[21.21]
-080	-100	-120	-056	N/A	N/A	3.538	[89.85]	3.441	[87.39]	3.575	[90.80]	0.835	[21.21]
N/A	N/A	N/A	N/A	-020	N/A	1.325	[33.66]	1.128	[28.65]	1.515	[38.48]	1.065	[27.05]
N/A	N/A	N/A	N/A	-040	N/A	2.250	[57.15]	2.053	[52.13]	2.303	[58.50]	1.065	[27.05]
N/A	N/A	N/A	N/A	-060	N/A	3.175	[80.65]	2.978	[75.64]	3.090	[78.49]	1.065	[27.05]
N/A	N/A	N/A	N/A	-080	N/A	4.100	[104.14]	3.903	[99.12]	3.878	[98.50]	1.065	[27.05]