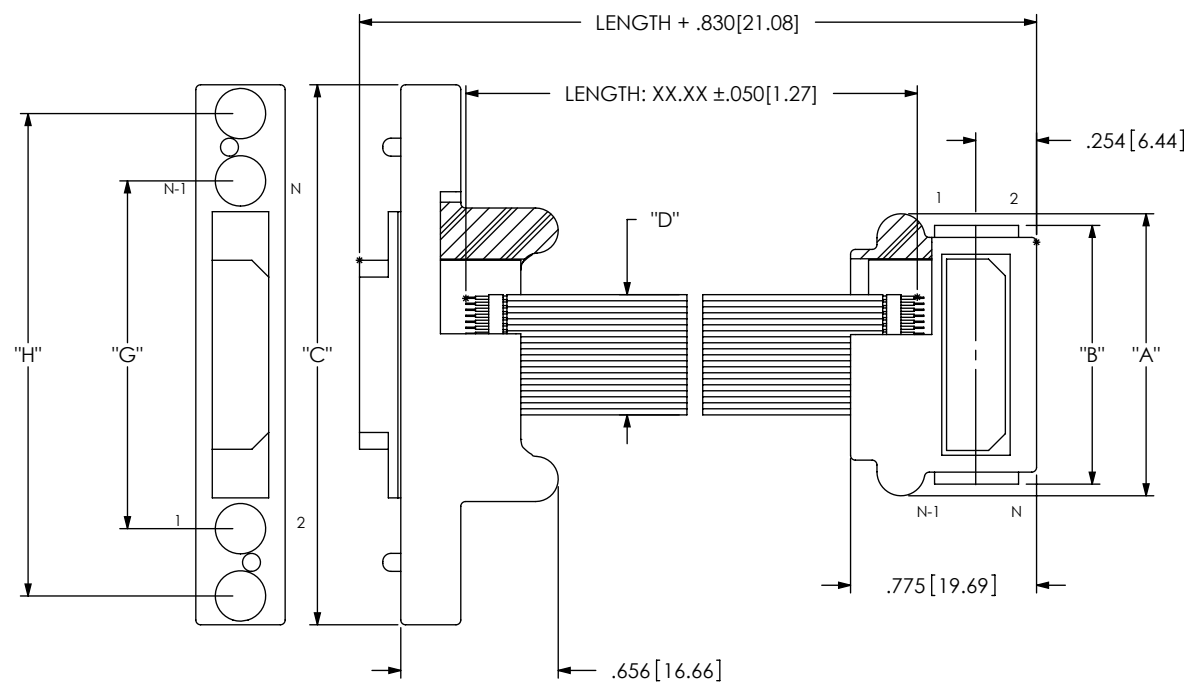


XQXX-XXX-XXXX-TPU-STR-X-X

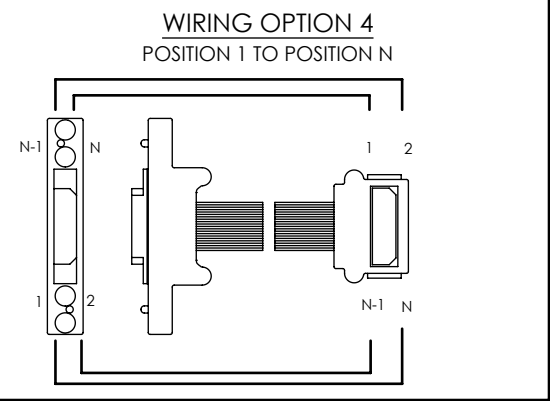
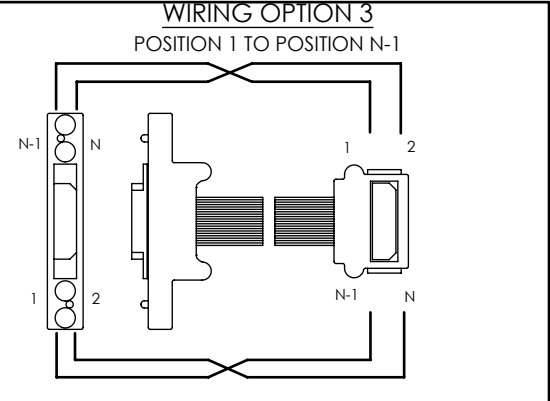
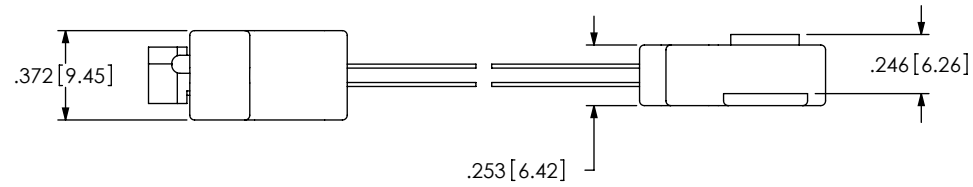
ALL DIMENSIONS REF
DO NOT SCALE
FROM THIS PRINT

SERIES	"D"	"K"
EQCD	0.501 [12.73]	0.775 [19.69]
SQCD	0.625 [15.88]	0.775 [19.69]
HQCD	0.751 [19.08]	0.775 [19.69]
EQDP	0.525 [13.34]	0.775 [19.69]

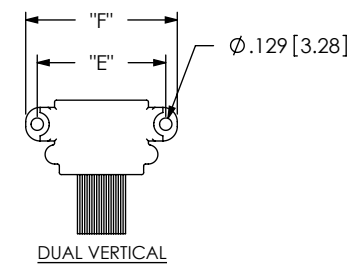


FIRST END

SECOND END



ONLY APPLICABLE FOR SCREW-DOWN END OPTIONS (SECOND END ONLY)



EQCD	SQCD	HQCD	EQDP	"E"	"F"
No. OF POSITIONS	No. OF POSITIONS	No. OF POSITIONS	No. OF POSITIONS		
-020	-025	-030	-014	1.339[34.00]	1.579[40.10]
-040	-050	-060	-028	2.126[54.00]	2.356[60.10]
-060	-075	-090	-042	2.913[74.00]	3.154[80.10]
-080	-100	-120	-056	3.701[94.00]	3.941[100.10]

EQCD	SQCD	HQCD	EQDP	"A"	"B"	"C"	G	H
No. OF POSITIONS	No. OF POSITIONS	No. OF POSITIONS	No. OF POSITIONS					
-020	-025	-030	-014	1.175[29.85]	1.078[27.38]	2.25[57.15]	1.449[36.80]	2.010[51.05]
-040	-050	-060	-028	1.963[49.85]	1.866[47.40]	3.038[77.17]	2.237[56.80]	2.798[71.07]
-060	-075	-090	-042	2.750[69.85]	2.653[67.39]	3.826[97.18]	3.024[76.80]	3.585[91.06]
-080	-100	-120	-056	3.538[89.85]	3.441[87.39]	N/A	N/A	N/A

PROPRIETARY NOTE
THIS DOCUMENT CONTAINS INFORMATION CONFIDENTIAL AND PROPRIETARY TO SAMTEC, INC. AND SHALL NOT BE REPRODUCED OR TRANSFERRED TO OTHER DOCUMENTS OR DISCLOSED TO OTHERS OR USED FOR ANY PURPOSE OTHER THAN THAT WHICH IT WAS OBTAINED WITHOUT THE EXPRESSED WRITTEN CONSENT OF SAMTEC, INC.

samtec
520 PARK EAST BLVD, NEW ALBANY, IN 47150
PHONE: 812-944-6733 FAX: 812-948-5047
e-Mail: info@SAMTEC.com code: 55322

SHEET SCALE: 1:25:1
DESCRIPTION:
QTX / QSX CABLE ASSEMBLY
DWG. NO.
XQXX-XXX-XXXX-TPU-STR-X-X
BY: D FRALEY 04/27/2006 SHEET 1 OF 1