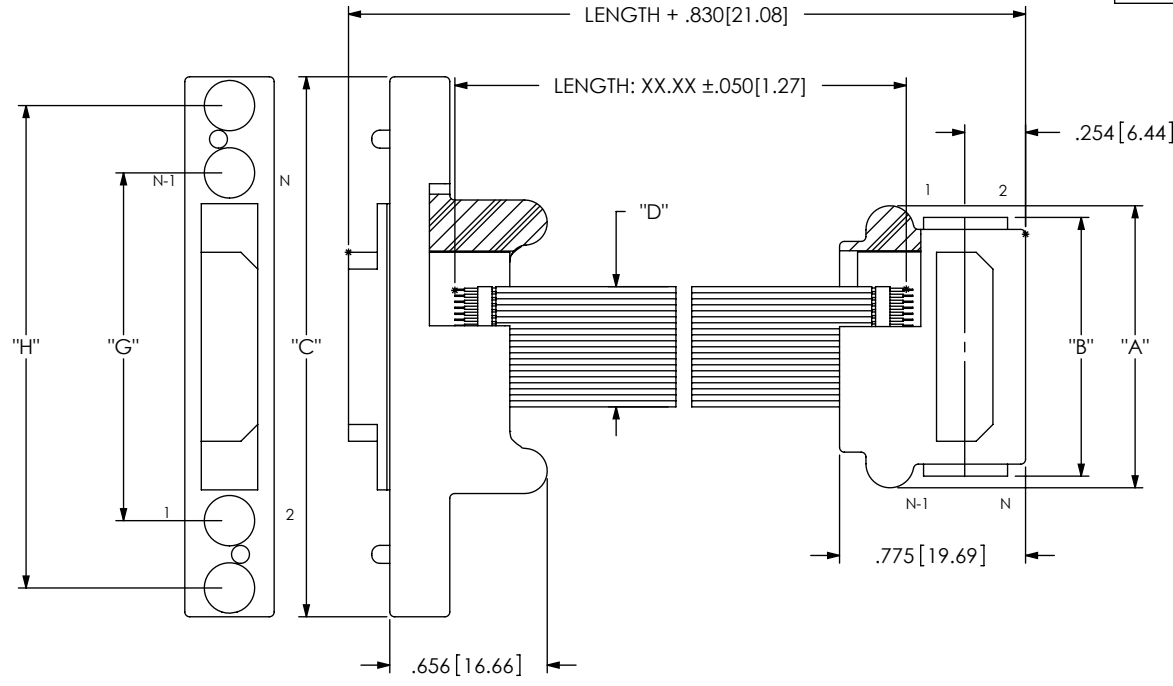


XQXX-XXX-XXXX-TPU-TTR-X-X

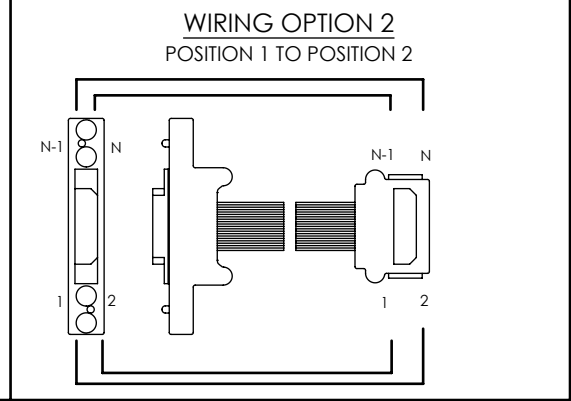
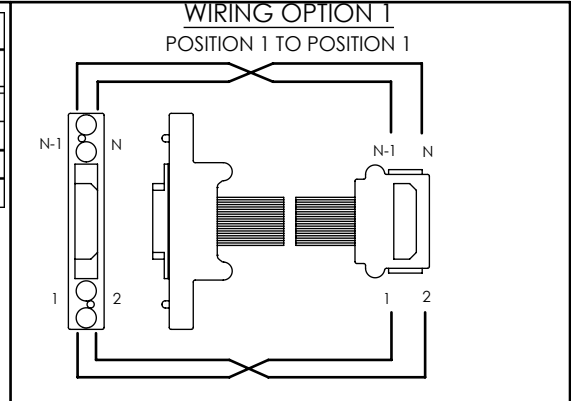
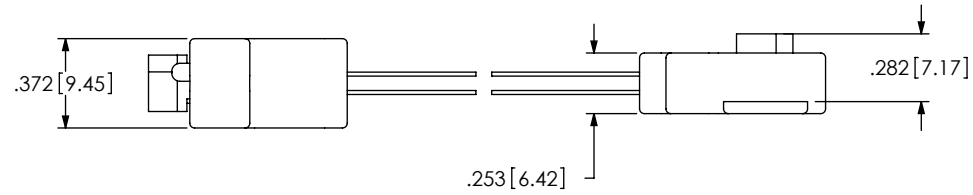
ALL DIMENSIONS REF
DO NOT SCALE
FROM THIS PRINT

SERIES	"D"
EQCD	0.501 [12.73]
SQCD	0.625 [15.88]
HQCD	0.751 [19.08]
EQDP	0.525 [13.34]

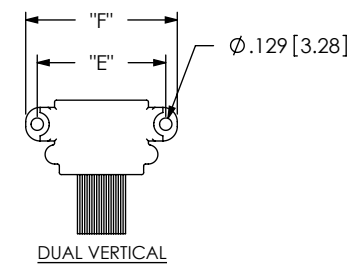


FIRST END

SECOND END



ONLY APPLICABLE FOR SCREW-DOWN END OPTIONS (SECOND END ONLY)



EQCD No. OF POSITIONS	SQCD No. OF POSITIONS	HQCD No. OF POSITIONS	EQDP No. OF POSITIONS	"E"	"F"	"G"
-020	-025	-030	-014	1.339[34.00]	1.579[40.10]	1.449[36.80]
-040	-050	-060	-028	2.126[54.00]	2.366[60.10]	2.237[56.80]
-060	-075	-090	-042	2.913[74.00]	3.154[80.10]	3.024[76.80]
-080	-100	-120	-056	3.701[94.00]	3.941[100.10]	N/A

EQCD	SQCD	HQCD	EQDP	"A"	"B"	"C"	G	H
-020	-025	-030	-014	1.175[29.85]	1.078[27.38]	2.25[57.15]	1.449[36.80]	2.010[51.05]
-040	-050	-060	-028	1.963[49.85]	1.866[47.40]	3.038[77.17]	2.237[56.80]	2.798[71.07]
-060	-075	-090	-042	2.750[69.85]	2.653[67.39]	3.826[97.18]	3.024[76.80]	3.585[91.06]
-080	-100	-120	-056	3.538[89.85]	3.441[87.39]	N/A	N/A	N/A

PROPRIETARY NOTE
THIS DOCUMENT CONTAINS INFORMATION
CONFIDENTIAL AND PROPRIETARY TO
SAMTEC, INC. AND SHALL NOT BE REPRODUCED
OR TRANSFERRED TO OTHER DOCUMENTS OR
DISCLOSED TO OTHERS OR USED FOR ANY
PURPOSE OTHER THAN THAT WHICH IT WAS
OBTAINED WITHOUT THE EXPRESSED WRITTEN
CONSENT OF SAMTEC, INC.

samtec
520 PARK EAST BLVD, NEW ALBANY, IN 47150
PHONE: 812-944-6733 FAX: 812-948-5047
e-Mail: info@SAMTEC.com code: 55322

SHEET SCALE: 1:25:1

DESCRIPTION:
QTX / QTX CABLE ASSEMBLY

DWG. NO.
XQXX-XXX-XXXX-TPU-TTR-X-X

BY: D FRALEY 04/27/2006 SHEET 1 OF 1