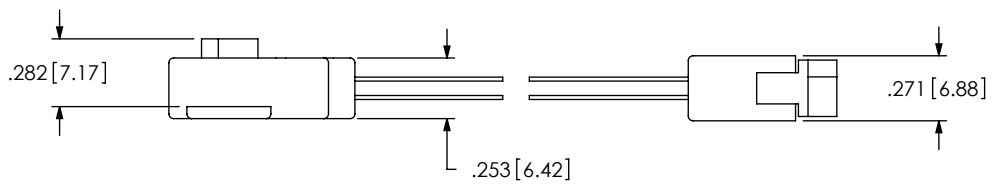
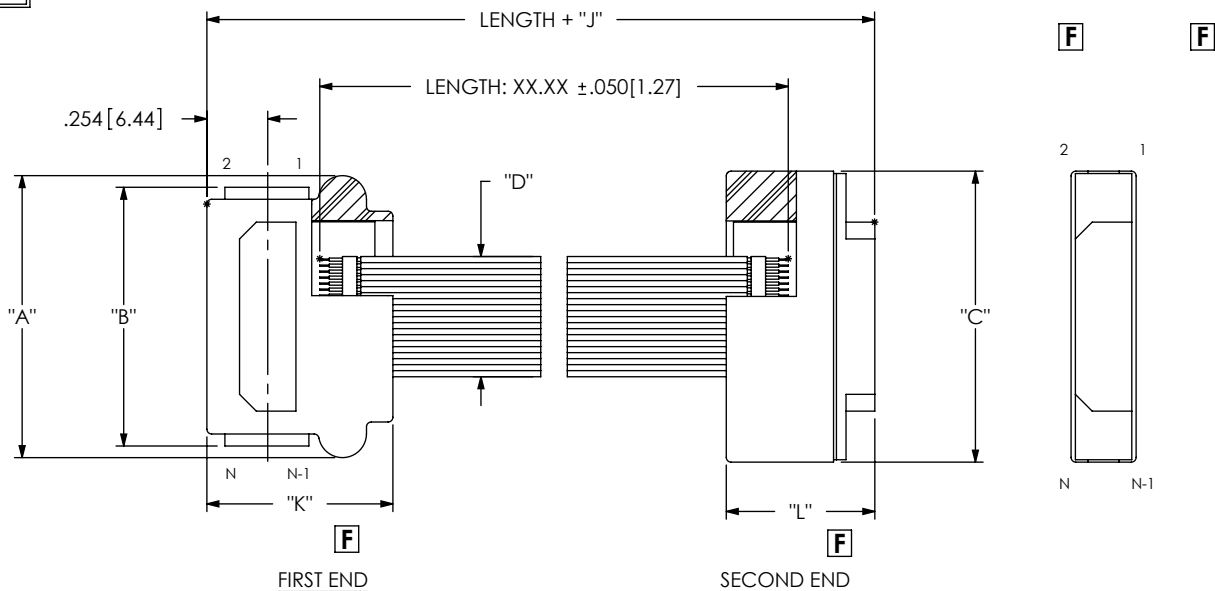


XQXX-XXX-XXXX-TTL-TEU-X-X

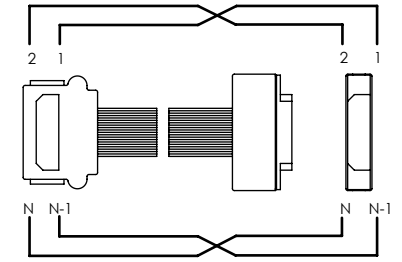
ALL DIMENSIONS REF
DO NOT SCALE
FROM THIS PRINT

SERIES	TABLE 2		
	"D"	"K"	"L"
EQCD	0.501 [12.73]	0.775 [19.69]	0.619 [15.72]
SQCD	0.625 [15.88]	0.775 [19.69]	0.619 [15.72]
HQCD	0.751 [19.08]	0.775 [19.69]	0.619 [15.72]
EQDP	0.525 [13.34]	0.775 [19.69]	0.619 [15.72]
HQDP	0.800 [20.32]	0.875 [22.23]	0.719 [18.26]
EQSD	0.760 [19.30]	0.775 [19.69]	0.619 [15.72]



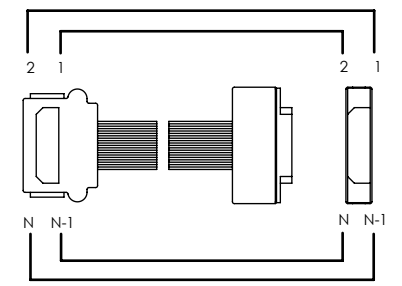
WIRING OPTION 1

POSITION 1 TO POSITION 1



WIRING OPTION 2

POSITION 1 TO POSITION 2



ONLY APPLICABLE FOR SCREW-DOWN END OPTIONS

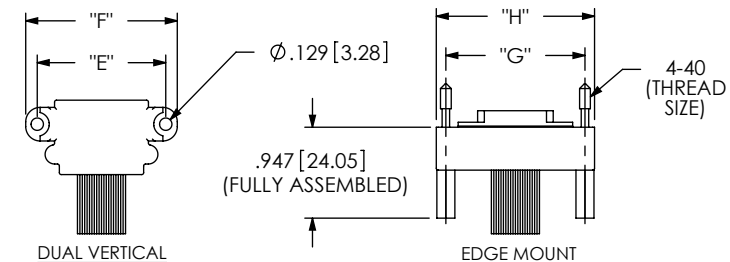


TABLE 3							"E"	"F"	"G"	"H"			
EQCD No. OF POSITIONS	SQCD No. OF POSITIONS	HQCD No. OF POSITIONS	EQDP No. OF POSITIONS	HQDP No. OF POSITIONS	EQSD No. OF POSITIONS	"I"							
N/A	N/A	N/A	N/A	N/A	-020	1.438	[36.55]	1.669	[42.39]	1.449	[36.80]	1.649	[41.88]
N/A	N/A	N/A	N/A	N/A	-040	2.227	[56.55]	2.456	[62.39]	2.237	[56.81]	2.436	[61.87]
-020	-025	-030	-014	N/A	N/A	1.338	[34.00]	1.579	[40.10]	1.449	[36.80]	1.649	[41.88]
-040	-050	-060	-028	N/A	N/A	2.126	[54.00]	2.365	[60.10]	2.237	[56.81]	2.436	[61.87]
-060	-075	-090	-042	N/A	N/A	2.915	[74.00]	3.154	[80.10]	3.024	[76.80]	3.224	[81.89]
-080	-100	-120	-056	N/A	N/A	3.701	[94.00]	3.941	[100.10]	3.812	[96.81]	4.011	[101.88]
N/A	N/A	N/A	N/A	-020	N/A	1.489	[37.82]	1.719	[43.66]	1.751	[44.48]	1.951	[49.56]
N/A	N/A	N/A	N/A	-040	N/A	2.414	[61.32]	2.644	[67.16]	2.539	[64.49]	2.739	[69.57]
N/A	N/A	N/A	N/A	-060	N/A	3.339	[84.51]	3.569	[90.35]	3.328	[84.43]	3.528	[89.56]
N/A	N/A	N/A	N/A	-080	N/A	4.264	[108.31]	4.494	[114.15]	4.114	[104.53]	4.314	[109.55]

PROPRIETARY NOTE
THIS DOCUMENT CONTAINS INFORMATION CONFIDENTIAL AND PROPRIETARY TO SAMTEC, INC. AND SHALL NOT BE REPRODUCED OR TRANSFERRED TO OTHER DOCUMENTS OR DISCLOSED TO OTHERS OR USED FOR ANY PURPOSE OTHER THAN THAT WHICH IT WAS OBTAINED WITHOUT THE EXPRESSED WRITTEN CONSENT OF SAMTEC, INC.



520 PARK EAST BLVD, NEW ALBANY, IN 47150
PHONE: 812-944-6733 FAX: 812-948-5047
e-Mail: info@SAMTEC.com code: 55322

SHEET SCALE: 1.25:1

DESCRIPTION:
QTX / QTX CABLE ASSEMBLY
DWG. NO.
XQXX-XXX-XXXX-TTL-TEU-X-X
BY: BRATCHER 6/25/2003 SHEET 1 OF 1

TABLE 1						"A"	"B"	"C"	"J"				
EQCD No. OF POSITIONS	SQCD No. OF POSITIONS	HQCD No. OF POSITIONS	EQDP No. OF POSITIONS	HQDP No. OF POSITIONS	EQSD No. OF POSITIONS								
N/A	N/A	N/A	N/A	N/A	-020	1.275	[32.39]	1.178	[29.92]	1.213	[30.80]	0.835	[21.21]
N/A	N/A	N/A	N/A	N/A	-040	2.063	[52.39]	1.965	[49.92]	2.000	[50.80]	0.835	[21.21]
-020	-025	-030	-014	N/A	N/A	1.175	[29.85]	1.078	[27.38]	1.213	[30.80]	0.835	[21.21]
-040	-050	-060	-028	N/A	N/A	1.963	[49.85]	1.866	[47.40]	2.000	[50.80]	0.835	[21.21]
-060	-075	-090	-042	N/A	N/A	2.750	[69.85]	2.653	[67.39]	2.788	[70.80]	0.835	[21.21]
-080	-100	-120	-056	N/A	N/A	3.538	[89.85]	3.441	[87.39]	3.575	[90.80]	0.835	[21.21]
N/A	N/A	N/A	N/A	-020	N/A	1.325	[33.66]	1.128	[28.65]	1.515	[38.48]	1.065	[27.05]
N/A	N/A	N/A	N/A	-040	N/A	2.250	[57.15]	2.053	[52.13]	2.303	[58.50]	1.065	[27.05]
N/A	N/A	N/A	N/A	-060	N/A	3.175	[80.65]	2.978	[75.64]	3.090	[78.49]	1.065	[27.05]
N/A	N/A	N/A	N/A	-080	N/A	4.100	[104.14]	3.903	[99.12]	3.878	[98.50]	1.065	[27.05]