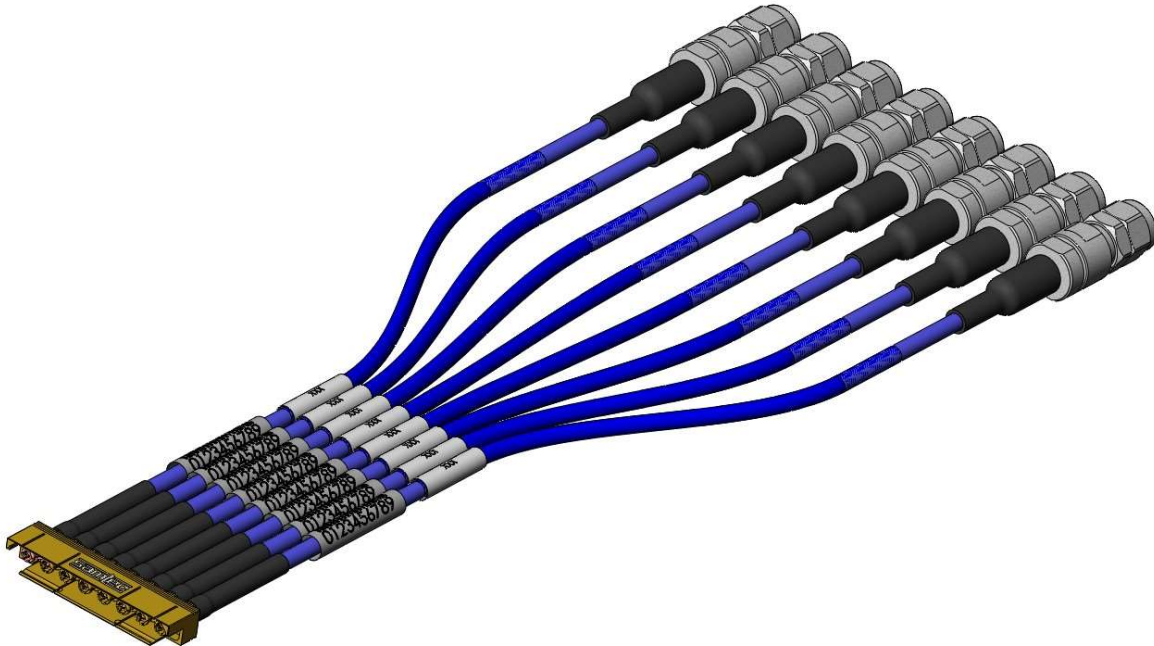


Specification

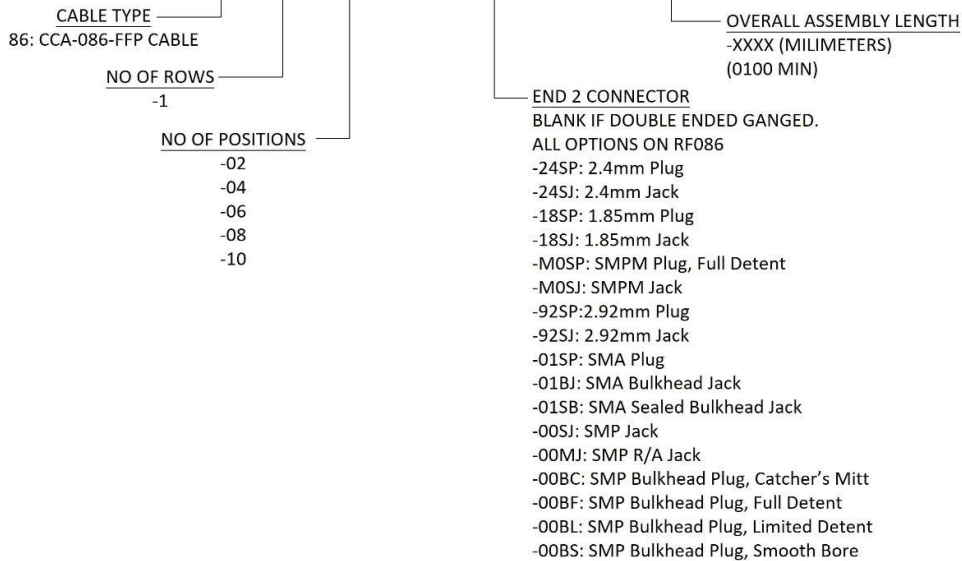
Series: GC86, Cable Block Assembly, 50 Ω

Double ended Ganged configuration or Single ended with End 2 options offered for RF086 C/A



Part Number:

GC86-X-XX-XXXXXX-XXXX



Specification
Series: GC86, Cable Block Assembly, 50 Ω

Double ended Ganged configuration or Single ended with End 2 options offered for RF086 C/A

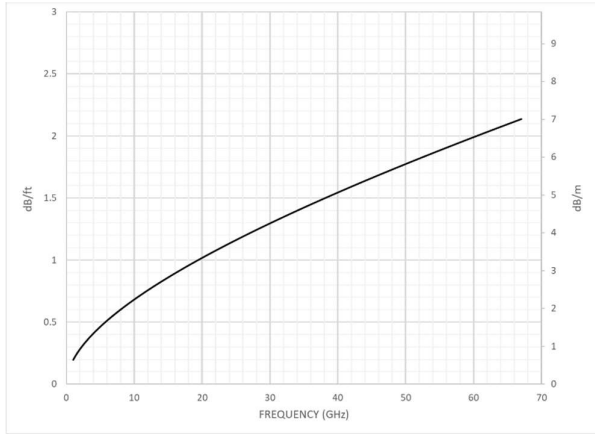
ELECTRICAL DATA

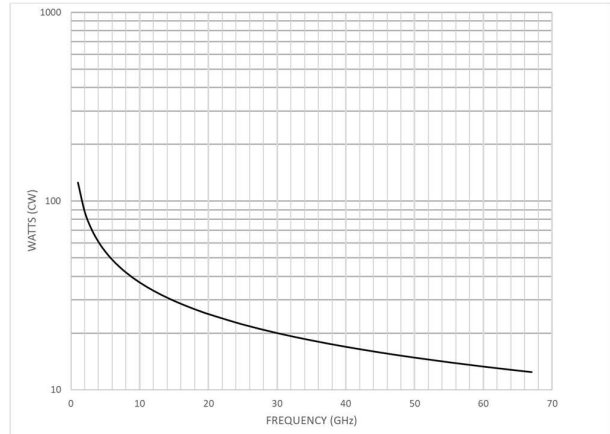
Impedance	50 Ω	
VSWR ¹	2.4mm Plug	DC to 50 GHz: 1.183:1 Max.
	2.4mm Jack	
	1.85mm Plug	DC to 67 GHz: 1.183:1 Max.
	1.85mm Jack	DC to 50 GHz: 1.118:1 Max. 50 GHz to 67 GHz: 1.225:1 Max.
	SMPM Plug	DC to 50 GHz: 1.118:1 Max.
	SMPM Jack	50 GHz to 67 GHz: 1.414:1 Max.
	2.92mm Plug	DC to 40 GHz: 1.183:1 Max.
	2.92mm Jack	
	SMA Plug	DC to 26.5 GHz: 1.140:1 Max.
	SMA Bulkhead Jack	
	SMA Sealed Bulkhead Jack	
	SMP Right Angle Mitered Jack	DC to 26.5 GHz: 1.118:1 Max.
	SMP Straight Jack	DC to 26.5 GHz: 1.118:1 Max.
	SMP Plug (FD, LD, CM, SB)	26.5 GHz to 40 GHz: 1.225:1 Max.
SMPM Jack Ganged	DC to 18 GHz: 1.118:1 Max. 18 GHz to 60 GHz: 1.204:1 Max. 60 GHz to 65 GHz: 1.265:1 Max.	
Velocity of Propagation	79%	
Capacitance	84 pF/meter	
Time Delay	4.20 ns/meter	
Insertion Loss	<i>See Graph</i>	
Power Handling	<i>See Graph</i>	

¹ VSWR per connector. Double ended cable assembly can be calculated as End Option VSWR #1 x End Option VSWR #2.

Specification
Series: GC86, Cable Block Assembly, 50 Ω

Double ended Ganged configuration or Single ended with End 2 options offered for RF086 C/A

MAXIMUM INSERTION LOSS @ T=25°C¹

¹Not including connector losses. Connector losses can be approximated as $0.03+0.05\sqrt{F}$ (GHz) dB per connector.

TYPICAL POWER HANDLING @ T=25°C²

²Guideline only. Actual power handling performance depends on mounting and cooling.

MECHANICAL DATA

Outer Diameter (cable only)	2.54 mm (Over Jacket)
Minimum Bend Radius (Static)	8.9 mm
Minimum Connector Retention	6.80 kg
Mating Interface ²	IAW MIL-STD-348, Figure 328-2 & 328-3
Mating Cycles	Full Detent: 100 cycles Smooth Bore: 500 cycles
Engagement Force ³	Full Detent: 4.5N (1 lbs.) Typ. Smooth Bore: 3.5N (0.75 lbs.) Typ.
Disengagement Force ³	Full Detent: 4.5N (1 lbs.) Typ. Smooth Bore: 2N (0.5 lbs.) Typ.
Radial Misalignment	+/- 0.025cm (0.010") Min.
Axial Misalignment	0.025cm (0.010") Max.

² Compatible with GPPO™ and SMPM interfaces.

³ Force rating per channel.

ENVIRONMENTAL DATA

Temperature Range	-65 to +125°C
Thermal Shock	EIA-364-32, Test Condition I: -65°C to +125°C, 10 cycles.

Specification
Series: GC86, Cable Block Assembly, 50 Ω

Double ended Ganged configuration or Single ended with End 2 options offered for RF086 C/A

CONNECTOR END 2 OPTIONS

End Option	Description	Drawing
24SP	2.4mm Plug	PRF24-P-C-EP-086-SS Drawing
24SJ	2.4mm Jack	PRF24-J-C-EP-086-SS Drawing
18SP	1.85mm Plug	PRF18-P-C-EP-086-SS Drawing
18SJ	1.85mm Jack	PRF18-J-C-EP-086-SS Drawing
M0SP	SMPM Plug	PRFM0-P-C-EE-086-SD Drawing
M0SJ	SMPM Jack	PRFM0-J-C-EE-086-SD Drawing
92SP	2.92mm Plug	PRF92-P-C-EP-086-SS-1-X Drawing
92SJ	2.92mm Jack	PRF92-J-C-EP-086-SS-X Drawing
01SP	SMA Plug	PRF01-P-C-EG-086-SD Drawing
01BJ	SMA Bulkhead Jack	PRF01-J-C-EG-086-BD Drawing
01SB	SMA Sealed Bulkhead Jack	PRF01-J-C-EG-086-BD-1 Drawing
00SJ	SMP Straight Jack	PRF00-J-C-EE-086-SD Drawing
00MJ	SMP Right Angle Mitered Jack	PRF00-J-C-EE-086-RD Drawing
00BC	SMP Bulkhead Plug (CM)	PRF00-PC-C-EG-086-BD Drawing
00BF	SMP Bulkhead Plug (FD)	PRF00-PF-C-EG-086-BD Drawing
00BL	SMP Bulkhead Plug (LD)	PRF00-PL-C-EG-086-BD Drawing
00BS	SMP Bulkhead Plug (SB)	PRF00-PS-C-EG-086-BD Drawing
GC86	SMPM Jack Ganged	PRFM0-J-C-EE-086-SD-1 Drawing

Specification
Series: GC86, Cable Block Assembly, 50 Ω

Double ended Ganged configuration or Single ended with End 2 options offered for RF086 C/A

ADDITIONAL INFORMATION

Cable Type	Datasheet
Cable Assembly (End 2 Option)	RF086 Drawing
Ganged Cable Assembly	GC86 Drawing

Ganged Cable Block mating connector options

Connector	Datasheet
Ganged SMPM Plug Edge Mount	GPPC-EM Drawing
Ganged SMPM Plug Vertical Surface Mount Stub Launch	GPPC-SL Drawing
Ganged SMPM Plug Vertical Compression Mount	GPPC-CMM Drawing

USE OF PRODUCT SPECIFICATION SHEET

This Product Specification Sheet ("PSS") is a brief summary of information related to the Product identified. As a summary, it should only be used for the limited purpose of considering the purchase/use of Product. This PSS is the property of Samtec, Inc. ("Samtec") and contains proprietary information of Samtec, our various licensors, or both. Samtec does not grant express or implied rights or license under any patent, copyright, trademark or other proprietary rights and the use of the PSS for building, reverse engineering or replication is strictly prohibited. By using the PSS, the user agrees to not infringe, directly or indirectly, upon any intellectual property rights of Samtec and acknowledges that Samtec, our various licensors, or both own all intellectual property therein. The PSS is presented "AS IS". While Samtec makes every effort to present excellent information, the PSS is only provided as a guideline and does not, therefore, warrant it is without error or defect or that the PSS contains all necessary and/or relevant information about the Product. The user agrees that all access and use of the PSS is at its own risk. **NO WARRANTIES EXPRESSED OR IMPLIED, INCLUDING ANY WARRANTY OF MERCHANTABILITY, FITNESS FOR A PARTICULAR PURPOSE OR OF ANY KIND WHATSOEVER ARE PROVIDED**