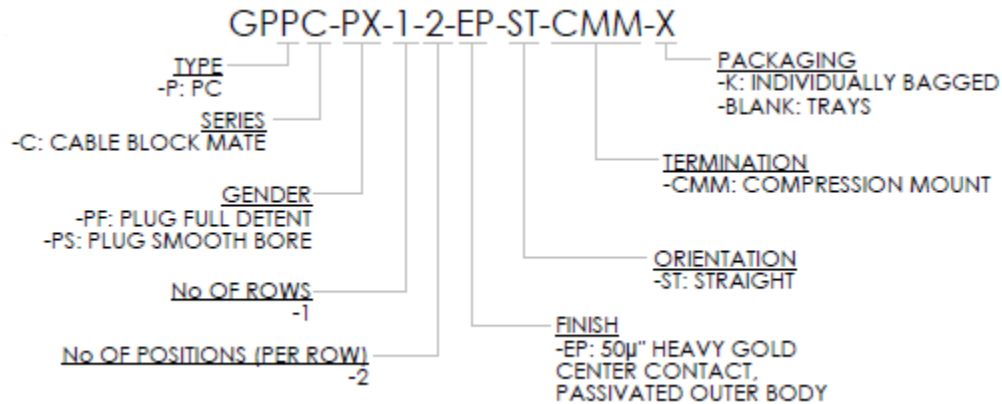
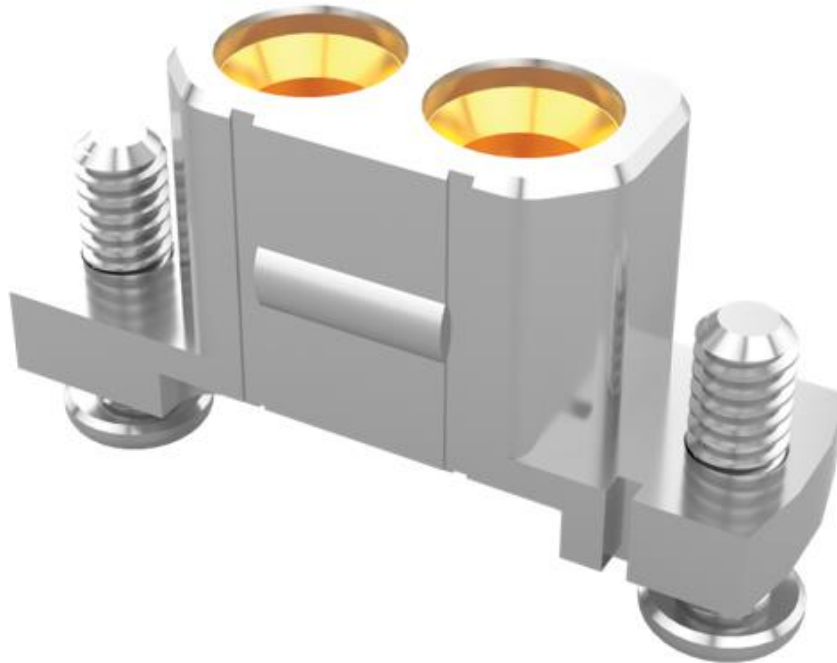


Series: SMPM, Plug, PCB Compression Mount, 50 Ω



MATERIAL AND FINISHES

Connector part	Material	Finish
Body	Stainless Steel	Passivated
Bead(s)	ULTEM 1000	N/A
Contact	Beryllium Copper	1.27 µm (50µ") Min. Gold Over 1.27µm (50 µ") Min. Nickel
Bushing	Beryllium Copper	1.27 µm (50µ") Min. Gold Over 1.27µm (50 µ") Min. Nickel

Series: SMPM, Plug, PCB Compression Mount, 50 Ω

ELECTRICAL DATA

Impedance	50 Ohm
Frequency Range	DC to 65 GHz
VSWR	DC to 26.5 GHz: 1.20:1 Typ. 26.5 GHz to 45 GHz: 1.35:1 Typ. 45 GHz to 65 GHz: 2:1 Typ.
Insertion Loss	$0.045\sqrt{F(GHz)}$ dB Max.
Insulation Resistance	5000 MΩ Min.
Center Contact Resistance	6.0 mΩ Max.
Outer Contact Resistance	2.0 mΩ Max.
Voltage Rating (Sea Level)	170 Vrms Max.
DWV	325 Vrms Min. (sea level) : 125 Vrms min. (70,000 ft.)

MECHANICAL DATA

Mating Interface	Full Detent per MIL-STD-348, Figure 328-2 Smooth Bore per MIL-STD-348, Figure 328-3
Mating Cycles	Full Detent: 100 cycles Smooth Bore: 100 cycles
Engagement Force	Full Detent: 36N (8 lbs.) Max. Smooth Bore: 18N (4 lbs.) Max.
Disengagement Force	Full Detent: 13N (3 lbs.) Min. Smooth Bore: 2N (0.5 lbs.) Min.
Radial Misalignment	+/- 0.025cm (0.010") Min.
Axial Misalignment	0.025cm (0.010") Max.
Mass	0.29 g

ENVIRONMENTAL DATA

Temperature Range	-65 to +165°C
Thermal Shock	MIL-STD-202-107, Condition B, high temperature +165°C per DSCC 10019
Vibration (High Frequency)	MIL-STD-202-204, Condition D per DSCC 10019
Vibration (Random)	MIL-STD-202-214, Condition F per DSCC 10019
Mechanical Shock	MIL-STD-202-213, Condition I per DSCC 10019

Series: [SMPM, Plug, PCB Compression Mount, 50 Ω](#)

REFERENCED DOCUMENTS

Interface	Drawing & Footprint
Full Detent	GPPC-PF-1-2-EP-ST-CMM
Smooth Bore	GPPC-PS-1-2-EP-ST-CMM

USE OF PRODUCT SPECIFICATION SHEET

This Product Specification Sheet (“PSS”) is a brief summary of information related to the Product identified. As a summary, it should only be used for the limited purpose of considering the purchase/use of Product. This PSS is the property of Samtec, Inc. (“Samtec”) and contains proprietary information of Samtec, our various licensors, or both. Samtec does not grant express or implied rights or license under any patent, copyright, trademark or other proprietary rights and the use of the PSS for building, reverse engineering or replication is strictly prohibited. By using the PSS, the user agrees to not infringe, directly or indirectly, upon any intellectual property rights of Samtec and acknowledges that Samtec, our various licensors, or both own all intellectual property therein. The PSS is presented “AS IS”. While Samtec makes every effort to present excellent information, the PSS is only provided as a guideline and does not, therefore, warrant it is without error or defect or that the PSS contains all necessary and/or relevant information about the Product. The user agrees that all access and use of the PSS is at its own risk. **NO WARRANTIES EXPRESSED OR IMPLIED, INCLUDING ANY WARRANTY OF MERCHANTABILITY, FITNESS FOR A PARTICULAR PURPOSE OR OF ANY KIND WHATSOEVER ARE PROVIDED**