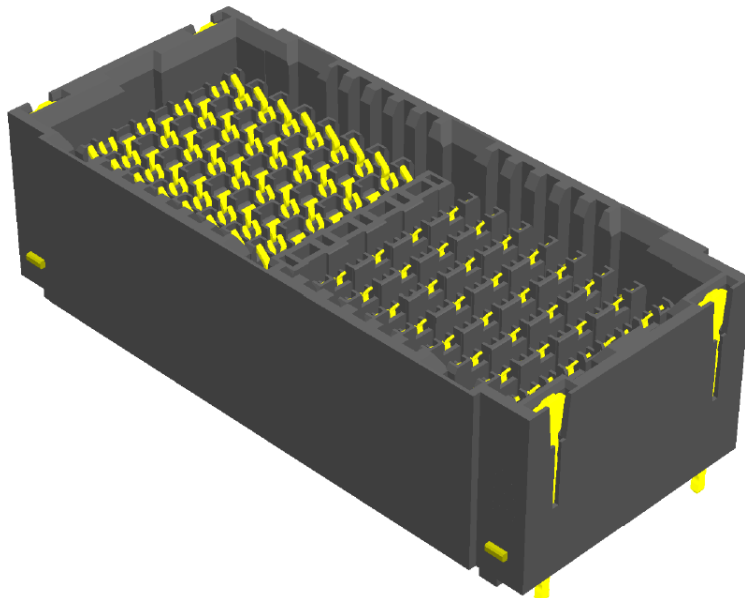
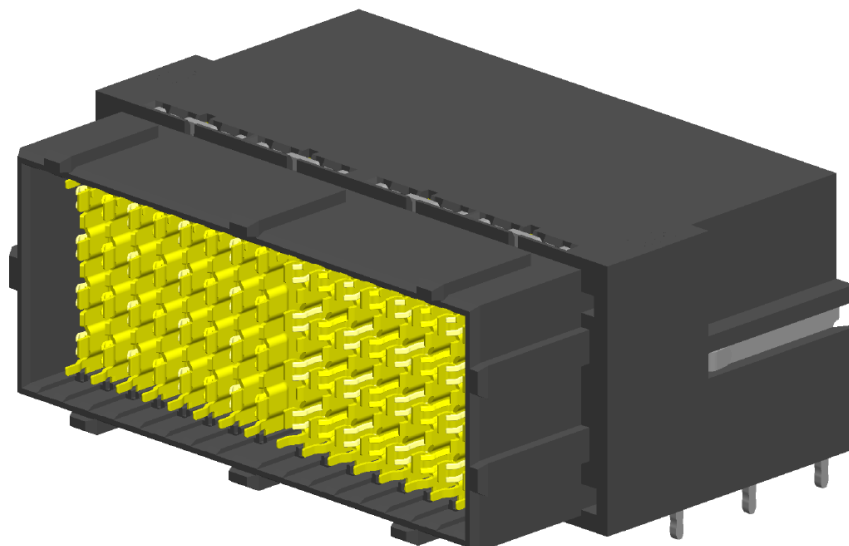


Series: NVBM / NVBF 0.90 mm (.035") NovaRay™ Extreme Density & Performance Terminal & Socket

NVBF Series – Socket, Vertical Orientation



NVBM Series – Terminal, Right Angle Orientation



See www.samtec.com for more information.



Series: NVBM / NVBF 0.90 mm (.035") NovaRay™ Extreme Density & Performance Terminal & Socket

1.0 SCOPE

1.1 This specification covers performance, testing and quality requirements for Samtec's NVBM/NVBF Series.0.90 mm (.035") NovaRay™ Extreme Density & Performance connectors. All information contained in this specification is for NVBM-RA series to NVBF series unless otherwise noted.

2.0 DETAILED INFORMATION

2.1 Product prints, footprints, catalog pages, test reports and other specific, detailed information can be found at www.samtec.com?NVBM and www.samtec.com?NVBF.

3.0 TESTING

3.1 Current Rating: Current Rating: 3.5A, 1 contact powered; 9.2A per wafer (1.1A per signal pin) with 8 contacts (1x8) powered. All Signal lines combined carry supply, GND carry return.

3.2 Voltage Rating: 150 VAC

3.3 Operating Temperature Range: -55°C to 125°C

3.4 Operating Humidity Range: Up to 95% (Per EIA-364-31)

3.5 Electrical:

ITEM	TEST CONDITION	REQUIREMENT	STATUS
Withstanding Voltage	EIA-364-20 (No Flashover, Sparkover, or Breakdown)	450 VAC	PASS
Insulation Resistance	EIA-364-21 (5000 MΩ minimum)	9,000 MΩ	PASS
Contact Resistance (LLCR)	EIA-364-23	Δ 15 mΩ (Samtec defined)/ No damage	PASS

3.6 Mechanical:

ITEM	TEST CONDITION	REQUIREMENT	RESULT
Durability	EIA-364-09C	100 cycles	PASS
Random Vibration	EIA-364-28 Condition VII, Letter D 3.1 G 'RMS', 50 to 2000 Hz, 2 hours per axis, 3 axis total , PSD 0.10 Nanosecond Event Detection: EIA-364-87	Visual Inspection: No Damage LLCR: Δ 15 mΩ No Events	PASS
Mechanical Shock	EIA-364-27 30 G, 11 milliseconds, Half Sine wave, 12.3 fps, 3 shocks/direction, 3 axis (18 total shocks) Nanosecond Event Detection: EIA-364-87	Visual Inspection: No Damage LLCR: Δ 15 mΩ No Events	PASS
Normal Force	EIA-364-04	30 grams minimum for Gold interface	PASS

Series: NVBM / NVBF 0.90 mm (.035") NovaRay™ Extreme Density & Performance Terminal & Socket

3.7 Environmental:

ITEM	TEST CONDITION	REQUIREMENT	RESULT
Thermal Shock	EIA-364-32 Thermal Cycles: 100 (30 minute dwell) Hot Temp: +85°C Cold Temp: -55°C Hot/Cold Transition: Immediate	Visual Inspection: No Damage LLCR: Δ 15 m Ω DWV: 450 VAC IR: >9,000 M Ω	PASS
Thermal Aging (Temp Life)	EIA-364-17 Test Condition 4 @ 105°C Condition B for 250 hours	Visual Inspection: No Damage LLCR: Δ 15 m Ω	PASS
Cyclic Hmidity	EIA-364-31 Test Temp: +25°C to +65°C Relative Humidity: 90 to 95% Test Duration: 240 hours	Visual Inspection: No Damage LLCR: Δ 15 m Ω DWV: 450 VAC IR: >5,700 M Ω	PASS
Gas Tight	EIA-364-36 Gas Exposure: Nitric Acid Vapor Duration: 60 min. Drying Temp.: 50°C +/- 3°C Measurements: Within 1 hour of Exposure	LLCR: Δ 15 m Ω	PASS

4.0 MATED SYSTEM

Mated view information can be found at link below:

[NVXX MATED DOCUMENT](#)

Series: NVBM / NVBF 0.90 mm (.035") NovaRay™ Extreme Density & Performance Terminal & Socket

5.0 HIGH SPEED PERFORMANCE

5.1 Channel Simulation - Channel Performance Metric (CPM)



Note: CPM is a channel simulation based approach to understanding connector performance. For further information on CPM please visit [Introducing Channel Performance](#).

CPM is simulated using a Samtec specific channel. Connector performance may improve based on specific applications. Please email SIG Frontline SIGFrontline@samtec.com to determine performance in your system.

5.2 System Impedance: 92 Ohm for differential pair

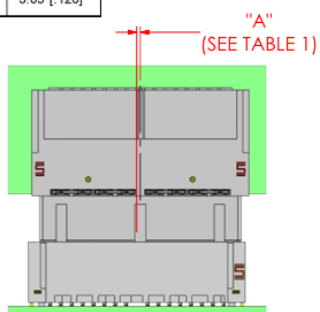
Series: NVBM / NVBF 0.90 mm (.035") NovaRay™ Extreme Density & Performance Terminal & Socket

6.0 PROCESSING RECOMMENDATIONS

6.1 Mating Alignment Requirements: The data is derived for nominal material conditions, effects on signal integrity not considered.

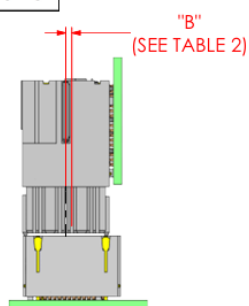
6.1.1 Allowable initial linear misalignment.

TABLE 1	
OPTION	"A"
W/O GP	0.66 [.026]
WITH GP	3.05 [.120]



INITIAL X AXIS LINEAR MISALIGNMENT

TABLE 2	
OPTION	"B"
W/O GP	1.10 [.043]
WITH GP	2.38 [.094]



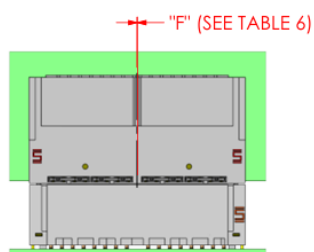
INITIAL Y AXIS LINEAR MISALIGNMENT

NOT APPLICABLE

INITIAL Z AXIS LINEAR MISALIGNMENT

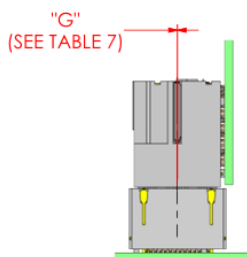
6.1.2 Allowable final linear misalignment.

TABLE 6	
OPTION	"F"
W/O GP	0.06 [.002]
WITH GP	0.06 [.002]



FINAL X AXIS LINEAR MISALIGNMENT

TABLE 7	
OPTION	"G"
W/O GP	0.05 [.002]
WITH GP	0.05 [.002]



FINAL Y AXIS LINEAR MISALIGNMENT

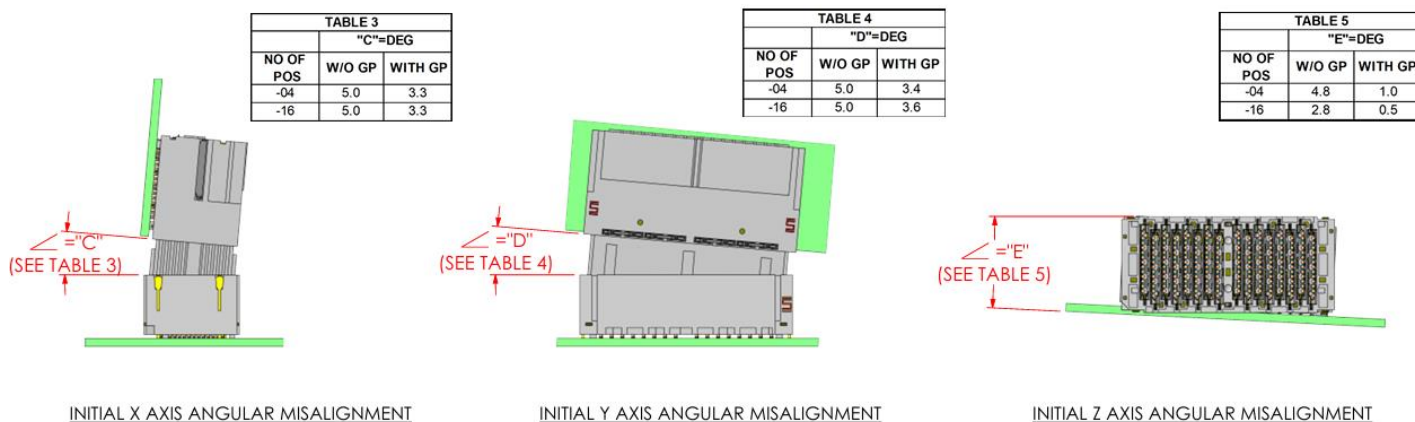
SEE NVXX MATED DOCUMENT

FINAL Z AXIS LINEAR MISALIGNMENT

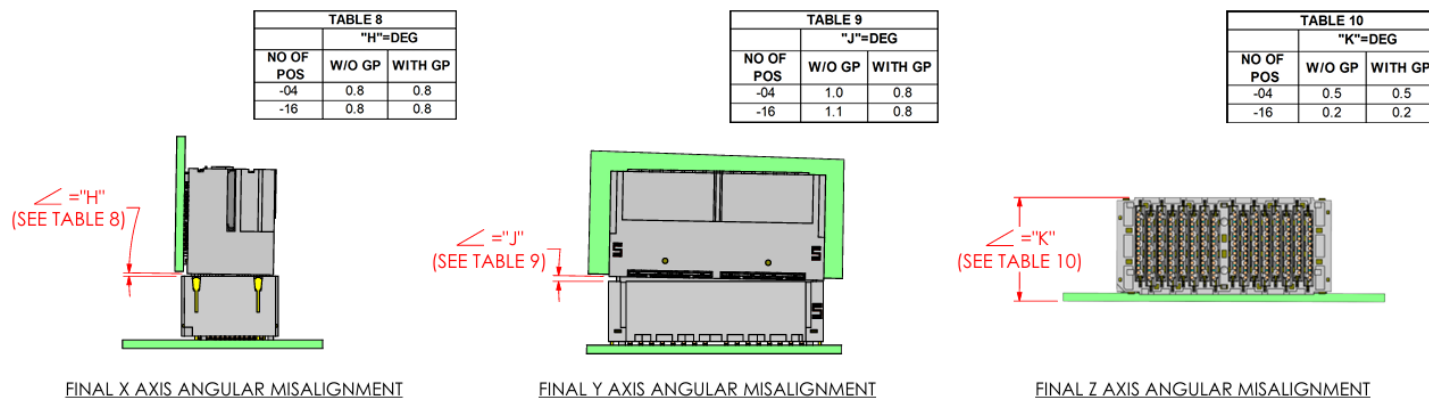
Series: NVBM / NVBF 0.90 mm (.035") NovaRay™ Extreme Density & Performance Terminal & Socket

6.2 Mating Angle Requirements: The data is derived for nominal material conditions.

6.2.1 Allowable initial angular misalignment.



6.2.2 Allowable final angular misalignment.





Series: NVBM / NVBF 0.90 mm (.035") NovaRay™ Extreme Density & Performance Terminal & Socket

6.3 Maximum Reflow Passes: The parts can withstand three reflow passes at a maximum component temperature of 260°C.

6.4 Stencil Thickness: The stencil thickness is .005" (0.127 mm) or .006" (0.153 mm)

6.5 Placement: Machine placement is strongly recommended.

6.6 Reflow Environment: Samtec recommends the use of a low-level oxygen environment (typically achieved through Nitrogen gas infusion) in the reflow process to improve solderability.

6.7 Thermal Profile: Due to variances in equipment, solder pastes and applications (board design, component density, etc.), Samtec does not specify a recommended reflow profile for our connectors. The processing parameters provided by the solder paste manufacturer should be employed and can usually be found on their website. All of Samtec's surface mount components are lead free reflow compatible and compliant with the profile parameters detailed in IPC/JEDEC J-STD-020 which requires that components be capable of withstanding a peak temperature of 260°C as well as 30 seconds above 255°C.

Samtec Recommended Temperature Profile Ranges (SMT)

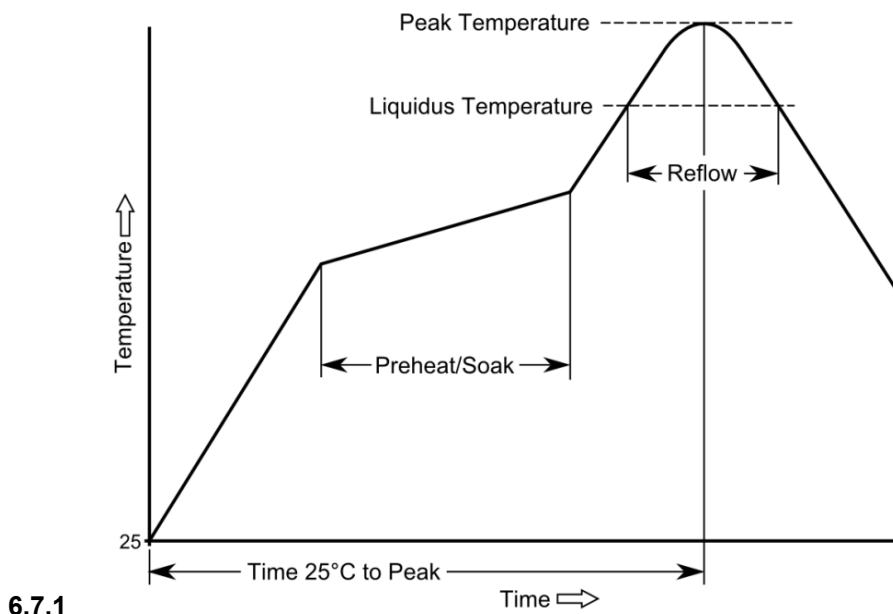
Sn-Pb Eutectic Assembly

Preheat/Soak (100°C-150°C)	Max Ramp Up Rate	Reflow Time (above 183°C)	Peak Temp	Time within 5°C of 235°C	Max Ramp Down Rate	Time 25°C to Peak Temp
60-120 sec.	3°C/s max.	40-150 sec.	235°C	20 sec. max.	6°C/s max.	6 min. max.

Pb-Free Assembly

Preheat/Soak (150°C-200°C)	Max Ramp Up Rate	Reflow Time (above 217°C)	Peak Temp	Time within 5°C of 260°C	Max Ramp Down Rate	Time 25°C to Peak Temp
60-120 sec.	3°C/s max.	40-150 sec.	260°C	30 sec. max.	6°C/s max.	8 min. max.

Series: NVBM / NVBF 0.90 mm (.035") NovaRay™ Extreme Density & Performance Terminal & Socket



These guidelines should not be considered design requirements for all applications. Samtec recommends testing interconnects on your boards in your process to guarantee optimum results.

6.8 Cleaning: Samtec, Inc. has verified that our connectors may be cleaned in accordance with the solvents and conditions designated in the EIA-364-11 standard.

For more detailed processing information, please visit the Technical Library on the NAVF Series Technical Specification page: <https://www.samtec.com/products/nvaf#technicalSeries>

6.9 Inverted Reflow: Mechanical reinforcement is required for applications that involve inverted reflow.

7.0 ADDITIONAL RESOURCES

7.1 For additional mechanical testing or product information, contact our Customer Engineering Support Group at CES@samtec.com

7.2 For additional information on high speed performance testing, contact our Signal Integrity Group at SIG@samtec.com

7.3 For additional processing information, contact our Interconnect Processing Group at IPG@samtec.com.

7.4 For RoHS, REACH or other environmental compliance information, contact our Product Environmental Compliance Group at PEC@samtec.com



Series: NVBM / NVBF 0.90 mm (.035") NovaRay™ Extreme Density & Performance Terminal & Socket

USE OF PRODUCT SPECIFICATION SHEET

This Product Specification Sheet (“PSS”) is a brief summary of information related to the Product identified. As a summary, it should only be used for the limited purpose of considering the purchase/use of Product. For specific, detailed information, including but not limited to testing and Product footprint, refer to Section 2.0 of this document and the links there provided to test reports and prints. This PSS is the property of Samtec, Inc. (“Samtec”) and contains proprietary information of Samtec, our various licensors, or both. Samtec does not grant express or implied rights or license under any patent, copyright, trademark or other proprietary rights and the use of the PSS for building, reverse engineering or replication is strictly prohibited. By using the PSS, the user agrees to not infringe, directly or indirectly, upon any intellectual property rights of Samtec and acknowledges that Samtec, our various licensors, or both own all intellectual property therein. The PSS is presented “AS IS”. While Samtec makes every effort to present excellent information, the PSS is only provided as a guideline and does not, therefore, warrant it is without error or defect or that the PSS contains all necessary and/or relevant information about the Product. The user agrees that all access and use of the PSS is at its own risk. **NO WARRANTIES EXPRESSED OR IMPLIED, INCLUDING ANY WARRANTY OF MERCHANTABILITY, FITNESS FOR A PARTICULAR PURPOSE OR OF ANY KIND WHATSOEVER ARE PROVIDED.**